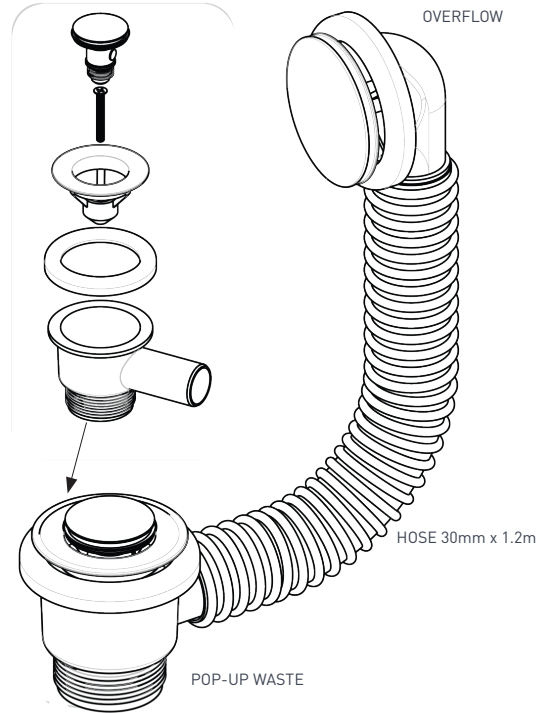
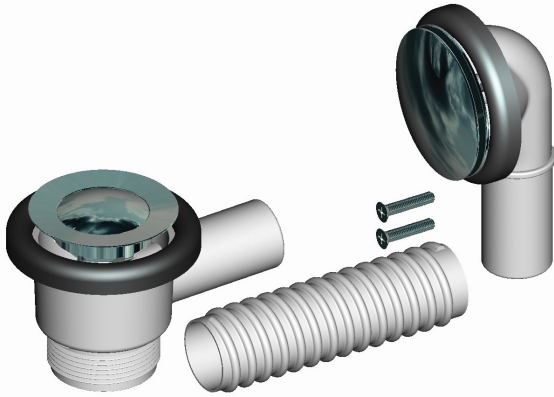


Pop-up Waste & Overflow Kit

Product Code: **OWA001**



This overflow kit features a stylish chrome overflow & 40mm pop-up plug & waste. The outlet is designed to be fitted & positioned near the top inside edge of a bath to take any excess water back to the waste. To elevate the bath a base support frame must be used.

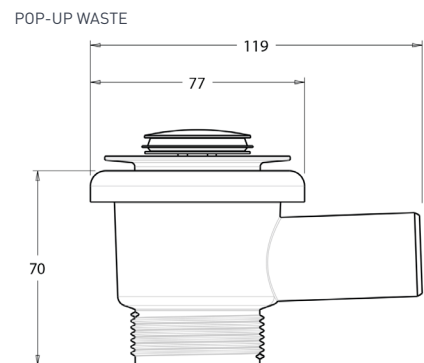
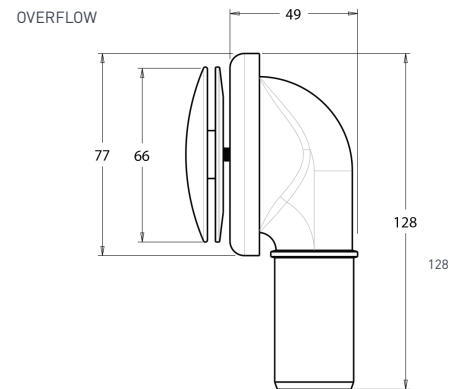
- **LIFETIME WARRANTY** * (replacement only)
- WaterMark Approved ATS 5200.040
- 40mm pop-up waste
- Removable pop-up waste
- Generous 1.2m hose can be cut to length
- Extra wide bath rim flange
- For baths / spa baths with a 40mm outlet

PRODUCT SPECIFICATIONS

Material: Brass /chrome-plated finish
Width: 320mm
Length: 43mm
Height: (750mm - 1105mm)
Warranty: 1 year (replacement only)

OPTIONAL ACCESSORIES

- EZI Frame **EZF001/ EZF002 / EZF003/EZF004**
- Base Support Frame **TAP002 / TAP004**



DECINA
DISCOVER INDULGENCE

DECINA.COM.AU 1300 DECINA



*Warranty T&Cs apply, visit decina.com.au Decina reserves the right to change specifications without notice. Due to manufacturing tolerances dimensions may vary +/- 5mm. Please confirm all particulars prior to purchase, call 1300 DECINA or visit decina.com.au

