

# MOTIF - ACCESSORIES

## INSTALLATION INSTRUCTIONS

1) To prevent drill from wandering on tiled surface it is recommended that masking tape be applied prior to attaching drilling template to tiled surface. Attach drilling template\* to wall in desired position using masking tape. Ensure hole centres of drilling template are horizontal.

**IMPORTANT:** For accessories using two mounting plugs (1), the distance between drilled holes must be accurate to ensure correct fit when accessory is installed. (Refer to drilling template for dimension between drilled holes)

2) **SOLID WALLS:-** (Brick, masonry blocks, concrete etc)

- i. Drill holes 6.00mm diameter, 40mm deep.
- ii. Insert rounded end of wall plug (3) into drilled hole and tap until flush with the wall surface.
- iii. Place the screw (4) through the hole of the mounting plug (1) into the wall plug (3). Check alignment of mounting plug(s) (1) before tightening screw (4).

**CAVITY WALLS:-**(Gyprock, villaboard/tile etc)

i. Drill holes 7.00mm diameter.

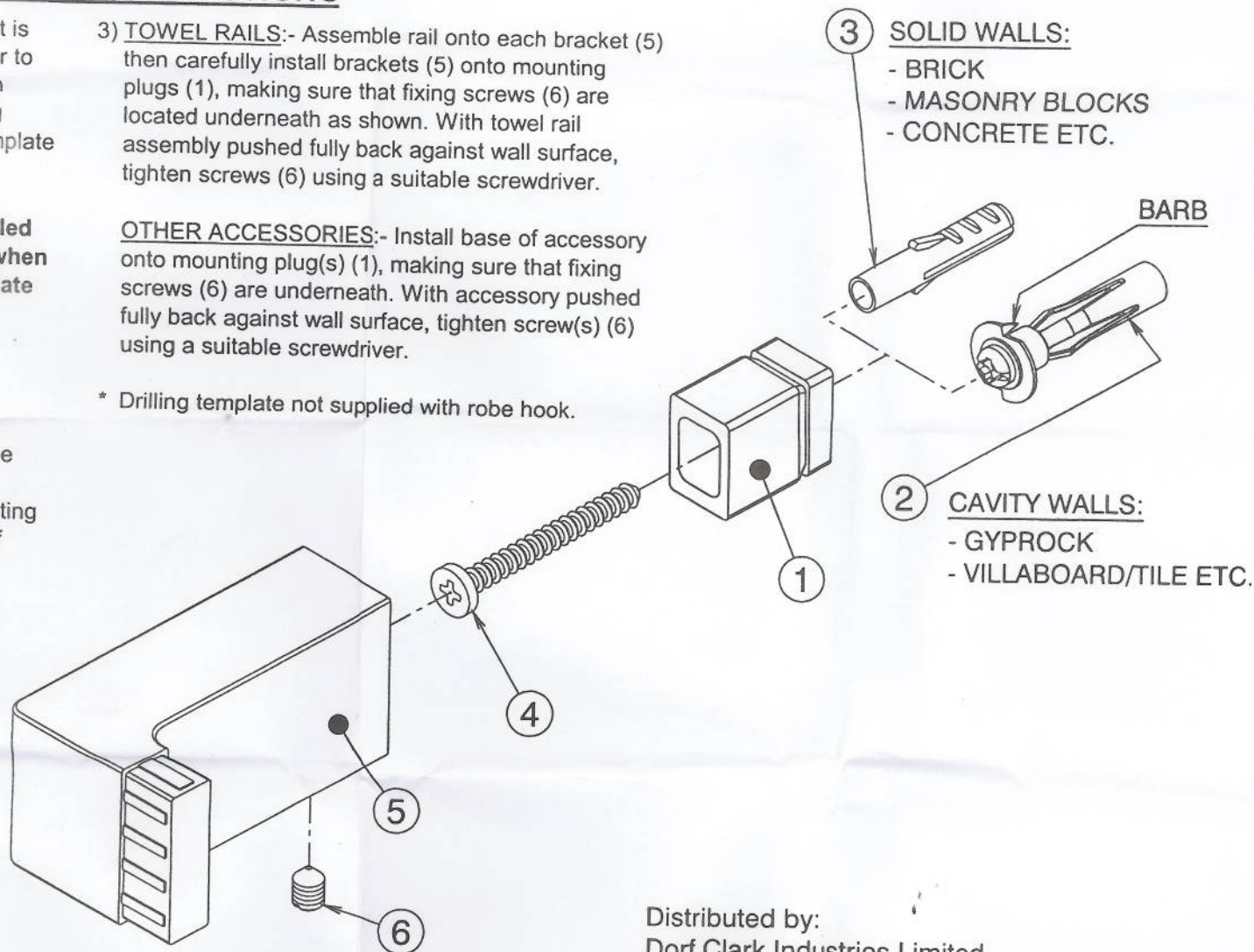
**Note:** If accessory is to be installed on a tiled surface, first flatten barbs on head flange of wall anchor (2).

- ii. Tap the wall anchor (2) into drilled hole until the head flange is against the wall surface. Turn the wall anchor screw using a suitable screwdriver to expand the anchor.
- iii. Remove the wall anchor screw, then place the wall anchor screw through the hole in the mounting plug (1) back into the wall anchor (2). Check alignment of mounting plug(s) (1) before tightening wall anchor screw (2).

3) **TOWEL RAILS:-** Assemble rail onto each bracket (5) then carefully install brackets (5) onto mounting plugs (1), making sure that fixing screws (6) are located underneath as shown. With towel rail assembly pushed fully back against wall surface, tighten screws (6) using a suitable screwdriver.

**OTHER ACCESSORIES:-** Install base of accessory onto mounting plug(s) (1), making sure that fixing screws (6) are underneath. With accessory pushed fully back against wall surface, tighten screw(s) (6) using a suitable screwdriver.

\* Drilling template not supplied with robe hook.



3) **SOLID WALLS:**  
- BRICK  
- MASONRY BLOCKS  
- CONCRETE ETC.

2) **CAVITY WALLS:**  
- GYPROCK  
- VILLABOARD/TILE ETC.

Distributed by:  
Dorff Clark Industries Limited  
ABN 23 004 394 923

IS93A(10/02)