



ENIGMA WALL MIXER WITH WALL BASIN/BATH OUTLET & PLATE(RH/LH)

+

WATER EFFICIENT TAPWARE

PLUMBERS INSTALLATION INSTRUCTIONS

Important Information

- * **HOT & COLD WATER INLET PRESSURES MUST BE EQUAL.**
- * **Not suitable for gravity feed systems.**
- * **Basin outlet is fitted with a flow regulated aerator insert. This low flow rate may not be suitable for connection to some Instantaneous Gas Water Heaters, some Tempering Valves, some Solar Water Heaters & some Thermostatic Mixing Valves. Check with the manufacturers of these products. Note:- An aerator insert kit (Part No. SP2001), is available if required. For applications where flow regulation is not suitable (e.g. bath) a full flow aerator insert has been provided within the packaging. To convert the basin outlet to a bath outlet, refer to 'Replacing Aerator Insert'**
- * **To ensure the wall elbow (13⁺) is mounted accurately, a plastic template (23) is supplied to assist with installation. (Fig.2)**
- * **Brazed connections should NOT be made directly onto the mixer, as excessive heat will cause permanent damage.**
- * **All pipework must be thoroughly flushed prior to installation, as foreign materials may block the flow regulating device and reduce the flow of water. Note: Aerator insert housing must be retightened to prevent removal by hand.**

Installation

- 1) Fit mixer body (12) onto a suitable mounting plate or noggin in the wall and secure using screws through the holes in its base.
When facing the mixer, the connections should be as follows :
Hot water inlet connection 'H' to the left.
Cold water inlet connection 'C' to the right.
Mixed water outlet connection, vertically upwards.
Note : A suitable elbow fitting (14⁺) should be fitted to the inlet connection adjacent to the wall outlet (18) (Fig.3).
Check all connections for leaks & the tap for correct operation.
Important :
 - * Mixer body (12) must be installed square to wall/tile face, to ensure cover plate (8) sits flush.
 - * To avoid damaging the decorative finish, do not remove the plastic protective sleeve until installation has been completed.
- 2) Determine the orientation of the wall outlet (to the right or left of mixer body)(Fig.4). Fit the large hole of the template (23) over the protective sleeve of the mixer body with the G1/2B outlet thread of the wall elbow (13⁺) located in the remaining hole as shown in Fig. 4.
Note:- The flat face of the template must be at the back. Place a spirit level on the corner pegs at the top of the template, then when the alignment is horizontal fix the wall elbow using suitable screws through the holes in its base. Remove template (23) & discard. Connect the outlet of mixer body to the inlet of wall elbow (13+) using suitable pipework. Check that the G1/2B outlet thread of the wall elbow (13⁺) is the correct length, as shown. Cut to length if required ensuring end face is square.
Note: Pipework and fittings are not supplied.

IMPORTANT

Pressure & Temperature Requirements.

- Hot and cold water inlet pressures should be equal.
- Static inlet pressure range : 150 -1000 kPa
New Regulation :-500 kPa maximum static pressure at any outlet within a building. (Ref. AS/NZS 3500.1)
- Maximum hot water temperature : 80°C.

+ Not supplied.

- 3) Fit cover plate (8) followed by retaining ring (7) onto mixer body (12). Rotate the retaining ring until pin is engaged in slot in cover plate and position so that the screws (6) are at the bottom. Push retaining ring and cover plate firmly against wall/tile face and tighten screws (6) using 2mm allen key (5).
Note: The top edge of cover plate (8) must be horizontal to align with tile joints.
- 4) Fit handle (1) taking care that it is pushed fully onto cartridge stem, then tighten grub screw (2) using the 2.5mm allen key (3). Fit plug (4), taking care not to damage the decorative finish.
- 5) Apply thread tape to the G1/2B outlet thread of the wall elbow (13⁺).
Important: Care must be taken that thread tape cannot become dislodged and block the flow regulating device, causing a reduction in water flow.
Screw the base (16) together with seal (15) onto the threaded wall elbow (13⁺), using a 6mm allen key (16⁺), until the cover plate (8) is held securely against the wall/tile face. **DO NOT OVERTIGHTEN**. Apply suitable lubricant to 'O'Rings on base (16).
- 6) Fit wall outlet (18) onto spigot of base (16), then push it firmly against the base while tightening grub screws (19) using the 2.0mm allen key (5) provided. Take care that the top face of the wall outlet is horizontal before tightening screws (19).
- 7) Turn on Hot and Cold water supplies and check operation.

Replacing Cartridge (Fig. 1)

- 1) Turn off hot and cold water supplies.
- 2) Carefully remove plug (4) before using a 2.5mm allen key (3) to loosen grub screw (2) and remove handle (1). Remove cap (9) taking care not to damage the decorative finish. Unscrew nut (10) then lift out old cartridge (11).
- 3) Ensure inside face of mixer body (12) is clean. Check that seal is in position in base of new cartridge (11). Fit new cartridge (11) into mixer body (12), taking care that two lugs on base of cartridge (11) fit into mating holes in mixer body (12).
- 4) Screw on nut (10). **Important**:- Nut (10) should be tightened to a torque of 10 Nm.
- 5) Replace cap (9), tightening by hand. Fit handle (1) taking care that it is pushed fully onto cartridge stem, then tighten grub screw (2) by using allen key (3). Replace plug (4) taking care not to damage the decorative finish.
- 6) Turn on water supplies and check operation.

Replacing Aerator Insert (Fig. 5)

- 1) Carefully remove aerator housing (22) from wall outlet (18), taking care not to damage the decorative finish.
- 2) Remove seal (20) & aerator insert (21) from aerator housing (22). Check that aerator housing is clean. Deposits of lime can be removed by washing in a vinegar solution.
- 3) Fit new aerator insert (21) into aerator housing (22) followed by seal (20) then screw assembly into wall outlet (18) and tighten securely (to prevent removal by hand).



ENIGMA - WALL MIXER WITH WALL BASIN/BATH OUTLET & PLATE (RH/LH)

WATER EFFICIENT TAPWARE

PLUMBERS INSTALLATION INSTRUCTIONS

+ Not supplied.

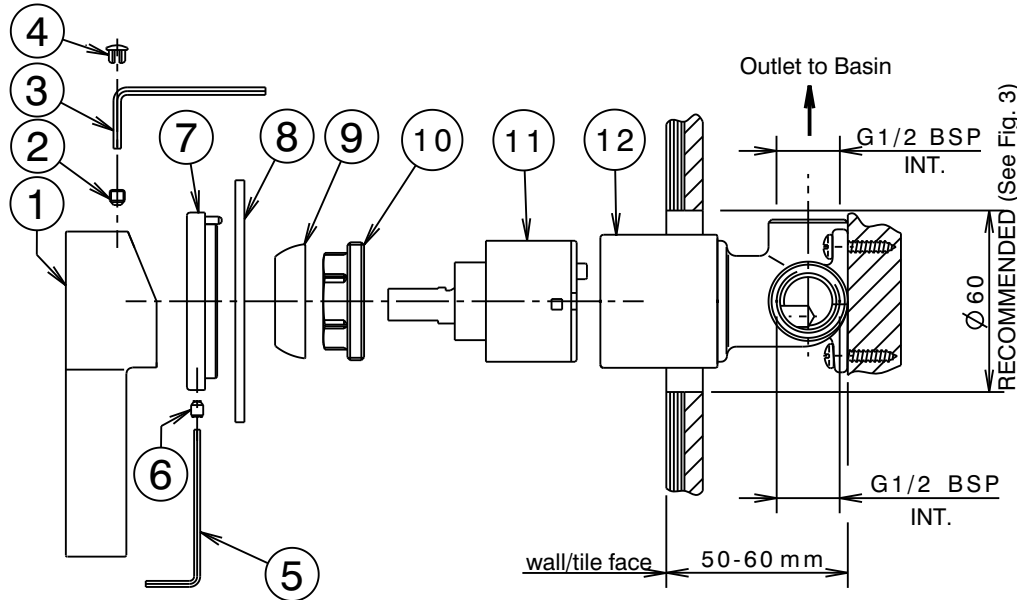


Fig. 1

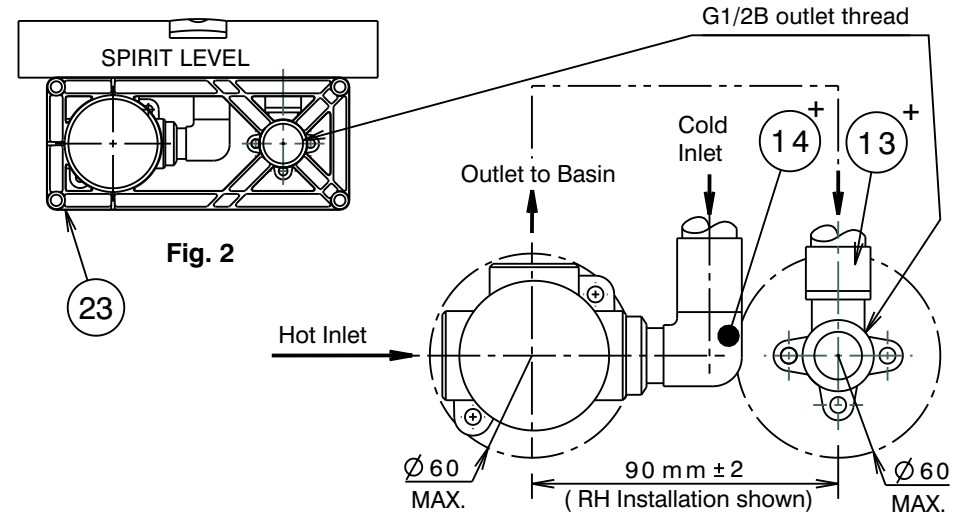
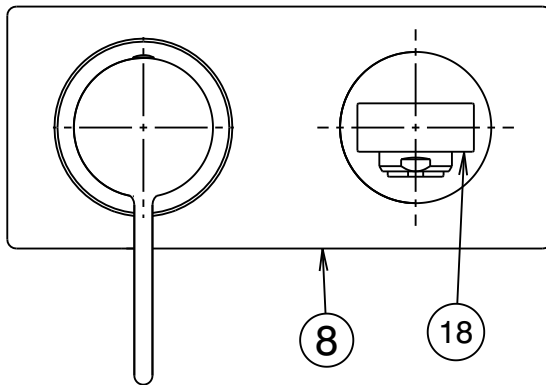


Fig. 3



RH Installation Shown

Fig. 4

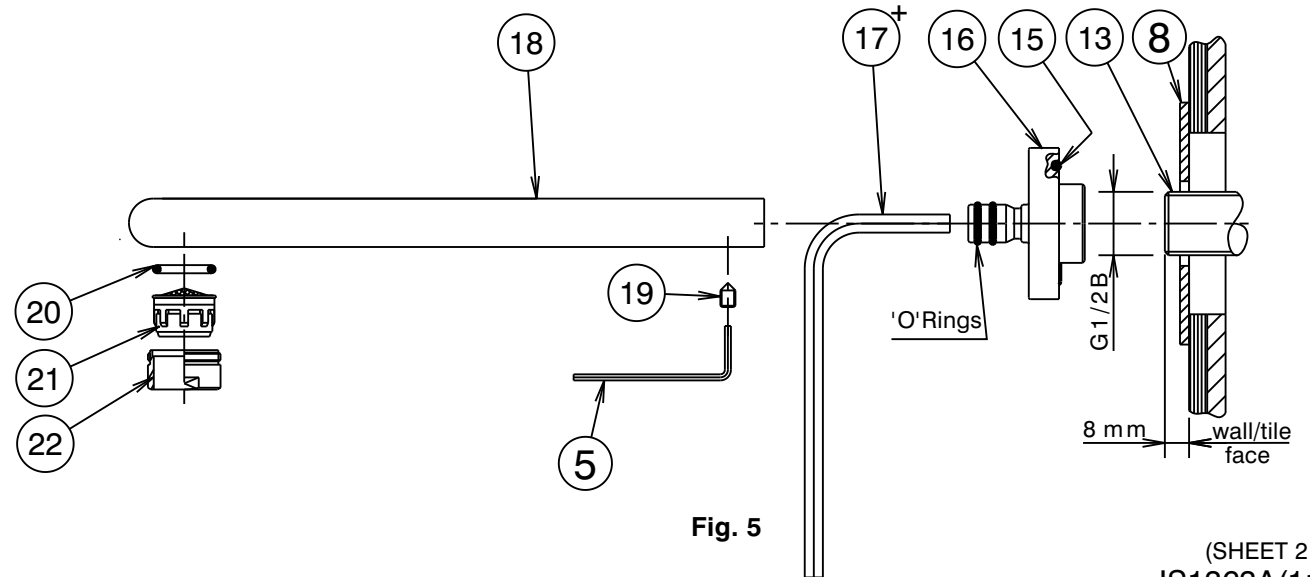


Fig. 5