



Tapac Basin Set

Product Code:133361

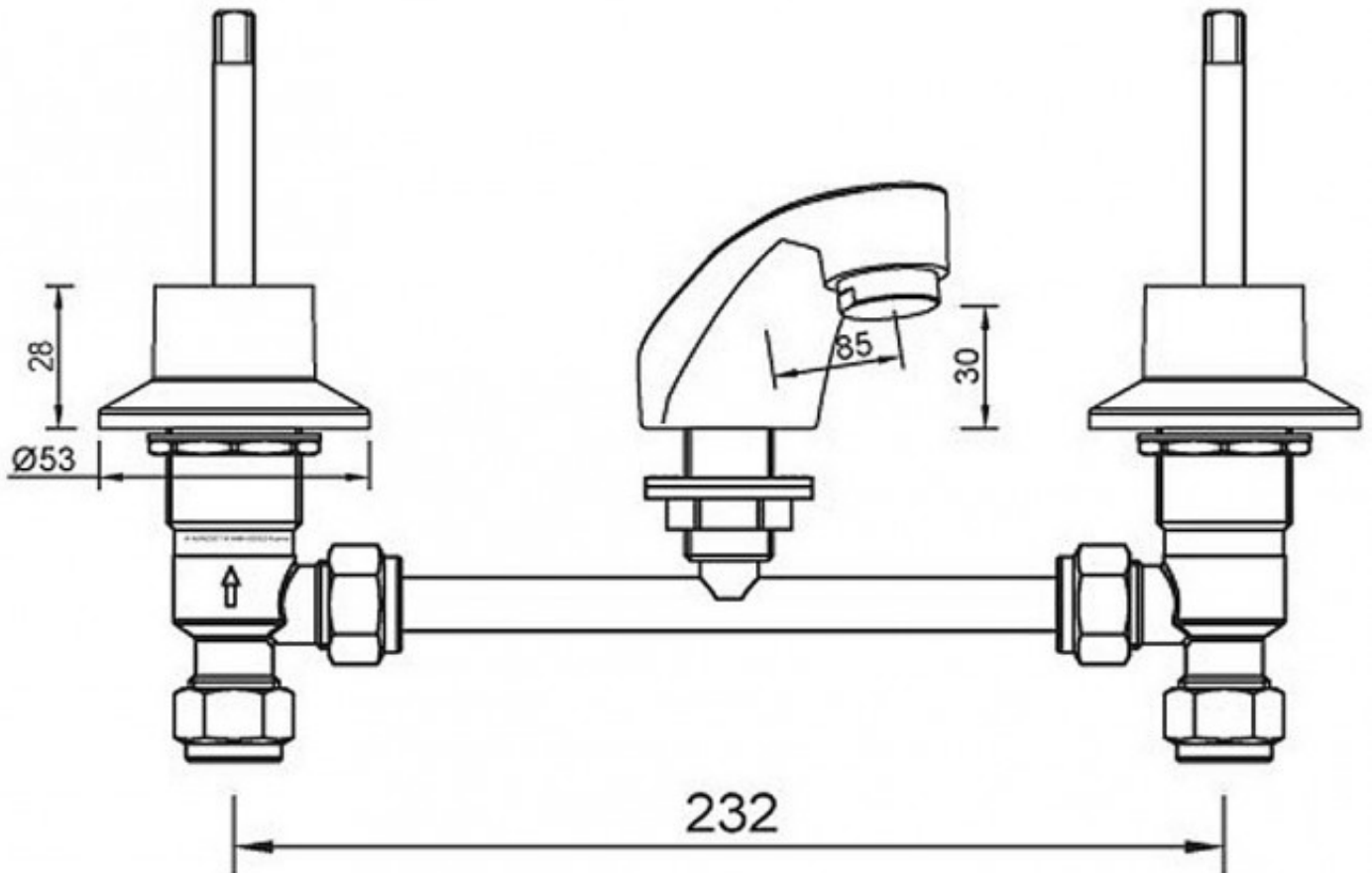
1800 RAYMOR
raymor.com.au

Raymor
more like you

Tapac Basin Set

PRODUCT SPECIFICATION

Product Code	133361
Finish	Chrome plated
Handle Style	Handles sold separately
Warranty	Visit www.raymor.com.au
WELS-Rating	WELS 5 STAR 6.0L/min
Spout Reach	85mm - centre of Spout to centre of Aerator
Shut Off	Jumper Valve
Mount Surface	Suitable for up to 25mm bench thickness
Spout Design	Fixed



Printed:27/09/2020

© Raymor 2017. All rights reserved.

Version 1 1/09/2017

All measurements are in millimetres and are to be used as a guide only. Specifications and materials may change without notice. Whilst all care has been taken to ensure that all details are correct at the time of print we reserve the right to correct any errors, inaccuracies or omissions or to change or update any details or information at any time without notice.

*Subject to terms and conditions available at raymor.com.au

Raymor
more like you