

Essentials

Laundry Tub with Bypass Kit 45L

Product code 139373

Warranty 10 year - body, 2 year - wastes, clips, 1 year - labour

PRODUCT SPECIFICATIONS

Colour Stainless Steel

Material 304 grade 18/10 Stainless Steel

Configuration Single Bowl

Installation Type Top Mount

Design Radiused bowl

Tap Hole 1 Tap Hole, 1 Bypass hole

Finish Polished

Construction Drawn

Width 590mm

Height 470mm

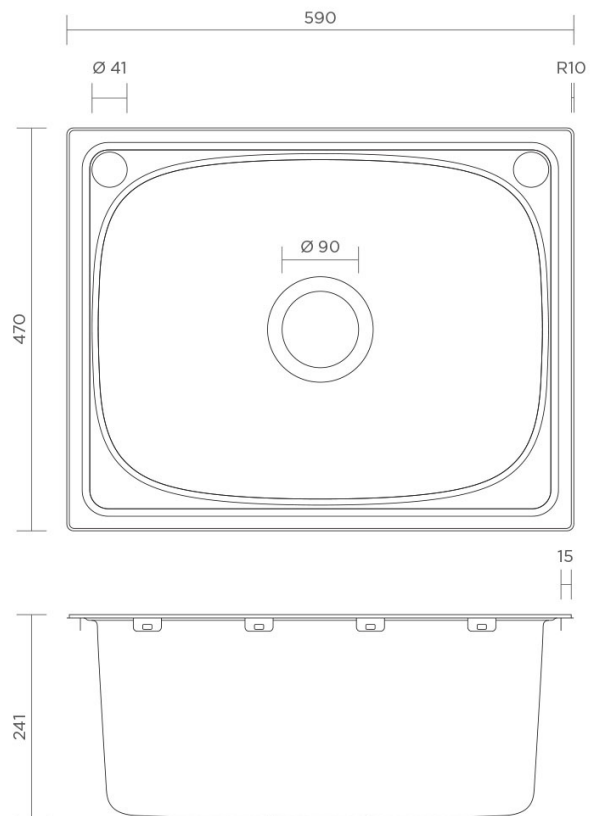
Depth 241mm

Bowl 1 Size & Capacity 45L

Bowl 2 Size & Capacity n/a

Inclusions Sink
Basket waste
Bypass Kit
Installation instructions

Maintenance & Care Surfaces should be regularly cleaned with a soft, dampened cloth or sponge with warm, soapy water. Do not use abrasive brushes, scourers or harsh chemicals as these can damage the finish



For more information call 1800 BATHROOM (1800 228 476) or visit tradelink.com.au

All dimensions are in millimetres. Dimensions shown are approximate and should be checked against the product before installation. Changes may be made to this specification without notice due to our commitment to continual improvement. See tradelink.com.au for full warranty details.