

Essentials

Soap Holder Chrome

Product code 158696

Warranty 5 years - main body, chrome plated finish & fittings

PRODUCT SPECIFICATIONS

Colour Chrome

Material Zinc Alloy & Tempered Glass

Finish Chrome plated

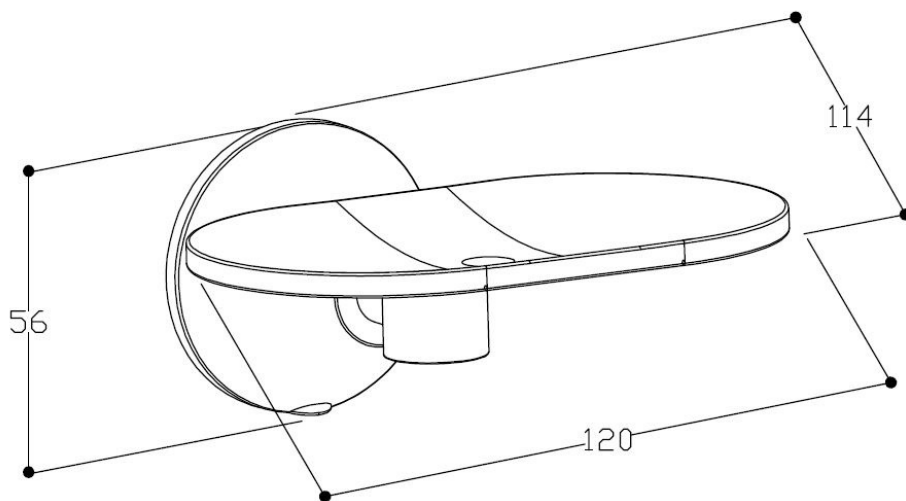
Width 120mm

Height 56mm

Depth 114mm

Inclusions Soap holder
Installation Instructions

Maintenance & Care Surfaces should be regularly cleaned with a soft, dampened cloth or sponge with warm, soapy water. Do not use abrasive brushes, scourers or harsh chemicals as these can damage the finish



For more information call 1800 BATHROOM (1800 228 476) or visit tradelink.com.au

All dimensions are in millimetres. Dimensions shown are approximate and should be checked against the product before installation. Changes may be made to this specification without notice due to our commitment to continual improvement. See tradelink.com.au for full warranty details.