

# Essentials

## Essentials Close Coupled S Trap Toilet Suite

<b>Product code</b>	165961
<b>Includes</b>	165835 S Trap Pan 165840 Cistern 165842 Seat
<b>WELS Rating</b>	4 Star 3.5L Avg Flush
<b>Warranty</b>	10 years - Cisterns and pans, polymer-braided hoses and chrome plated finish 3 years - Inlet and outlet valves, toilet seat, flush button and fittings 1 year - seals, labour



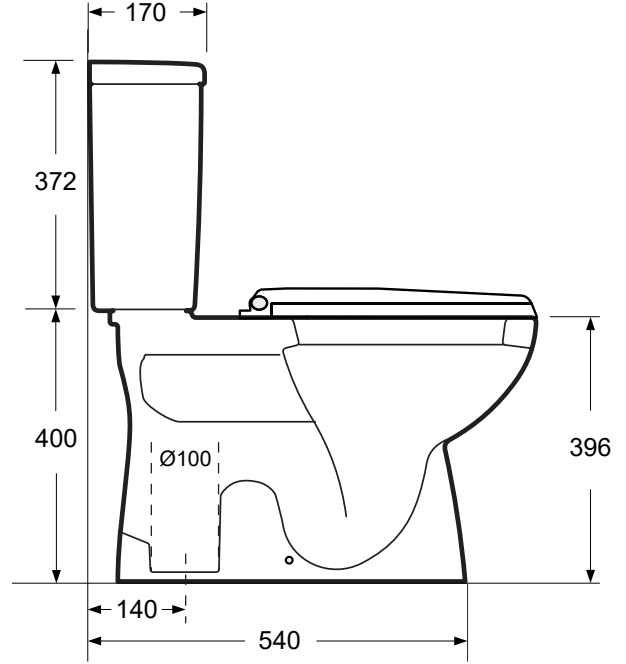
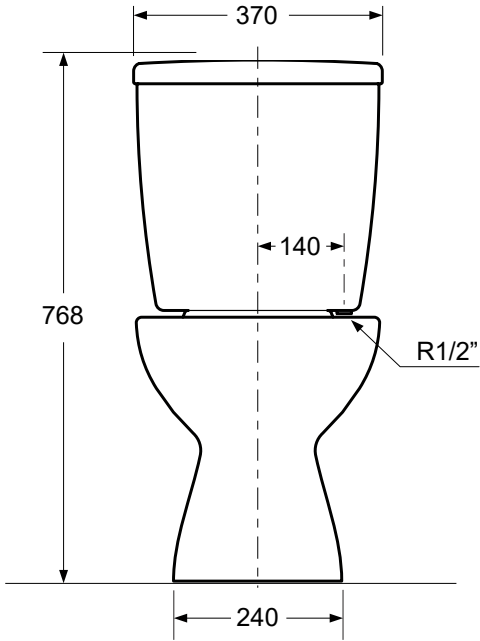
### PRODUCT SPECIFICATIONS

<b>Colour</b>	White
<b>Pan</b>	Vitreous china
<b>Cistern</b>	Vitreous china
<b>Rim Type</b>	Box
<b>Seat</b>	Soft Close
<b>Trap Type</b>	S-trap set out 140mm
<b>Inlet Valve</b>	Bottom entry inlet valve, bottom right inlet
<b>Outlet Valve</b>	4.5/3L Dual flush outlet valve
<b>Inclusions</b>	1 x Vitreous China Cistern 1 x S Trap Pan 1 x Seat Installation Instructions
<b>Maintenance &amp; Care</b>	Surfaces should be regularly cleaned with a soft, dampened cloth or sponge with warm, soapy water or mild detergent only. Do not use abrasive brushes, scourers, cleaners or harsh chlorides or chemicals as these can damage the finish

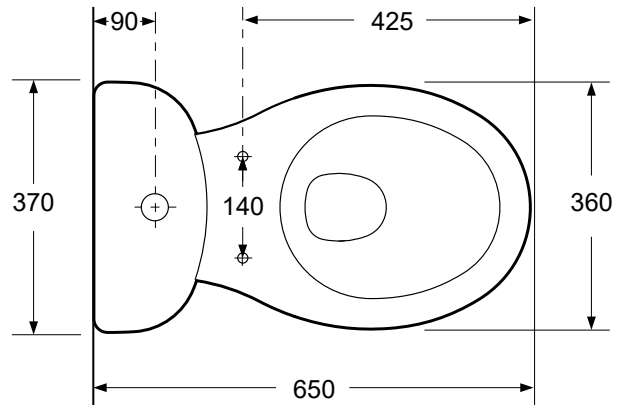
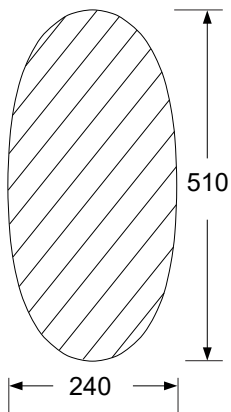
For more information call 1800 BATHROOM (1800 228 476) or visit [tradelink.com.au](http://tradelink.com.au)

All dimensions are in millimetres. Dimensions shown are approximate and should be checked against the product before installation. Changes may be made to this specification without notice due to our commitment to continual improvement. See [tradelink.com.au](http://tradelink.com.au) for full warranty details.

# Essentials



Footprint



For more information call 1800 BATHROOM (1800 228 476) or visit [tradelink.com.au](http://tradelink.com.au)

All dimensions are in millimetres. Dimensions shown are approximate and should be checked against the product before installation. Changes may be made to this specification without notice due to our commitment to continual improvement. See [tradelink.com.au](http://tradelink.com.au) for full warranty details.