

# EVERHARD SPEC PACK



PRODUCT INFO | IMAGES | DRAWINGS

## PRODUCT

Classic Standard 980 NTH 1.5  
Bowl & Drainer

## EI CODE

72102

## BRAND

Classic



# SPEC PACK KITCHEN COLLECTION

## SPEC SHEET



### CLASSIC STANDARD 980 NTH 1.5 BOWL & DRAINER

#### PRODUCT CODE:

72102

#### FEATURES:

- / 304 Stainless Steel Bowl
- / 22L & 10L Capacity
- / 90mm basket waste
- / Suitable for garbage disposal connection

#### OVERALL DIMENSIONS:

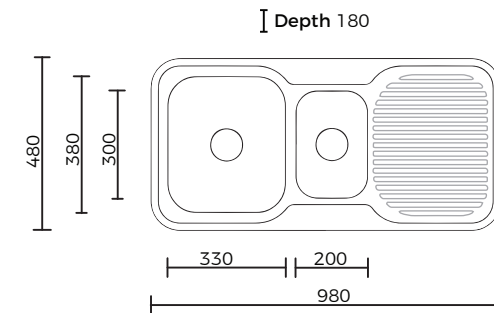
980 L x 480 W x 180mm D

#### PRODUCT VARIATIONS:

- 73102 | Classic Standard 980 1TH RH 1.5 Bowl & Drainer
- 73103 | Classic Standard 980 1TH LH 1.5 Bowl & Drainer

#### WARRANTY:

25 years



Disclaimer: All measurement are in millimetres and are solely for reference purposes. Colours have been reproduced with as much accuracy as possible. Any changes resulting from technical advance of design or colour may be made without prior notice. Tapware, accessories and appliances are for illustration purposes only. Further information on warranties is available at [www.everhard.com.au](http://www.everhard.com.au)

# SPEC PACK KITCHEN COLLECTION

## PRODUCT DRAWING

