

## LUCIANA

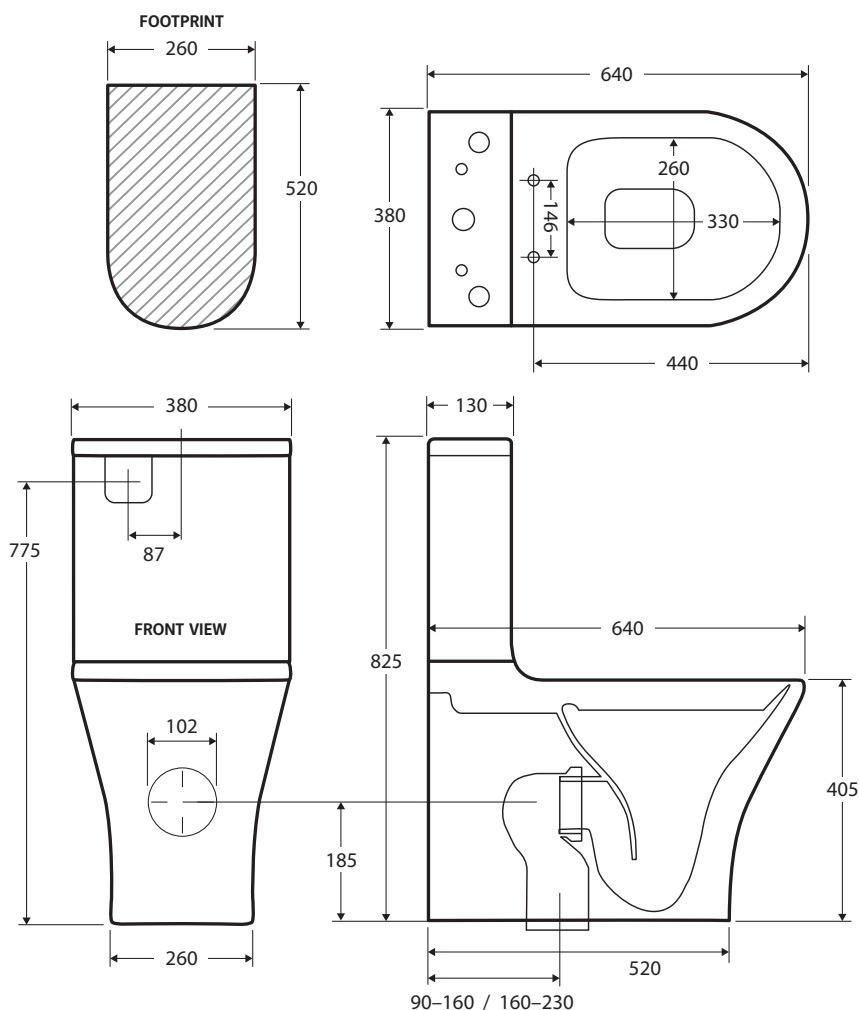
### Back-to-Wall Suite

- RIMLESS PAN hygienic flush
- Sleek HIDDEN rimless design!
- Chrome flush button
- Back-to-Wall toilet suite
- Top or bottom inlets:
  - Left top inlet
  - Dual left or right bottom inlet
- High quality R&T flush mechanism
- UF quick release soft close seat
- Available as P-trap or S-trap
- WELS 4 star rated (4.5/3L/m)



COMPLETE SET	CODE
Suite with P-Trap	K1343P
Suite with S-Trap 90-160	K1343A
Suite with S-Trap 160-230	K1343B

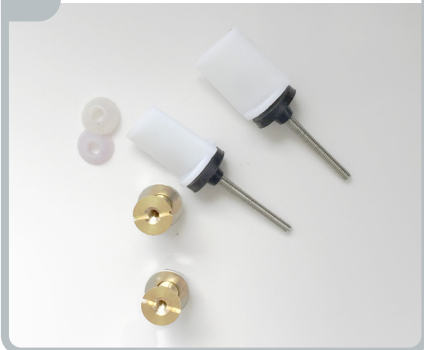
SPARE PARTS	CODE
Cistern only	K1343-C
Seat only	K1343-SEAT
Pan only P-Trap	K1343-P
S-Trap Pipe 160-230	X011B
S-Trap Pipe 90-160	X011G
R&T Top Inlet Valve	200-129
R&T Outlet	200-127
Pan Screws L Brackets	200-150
Rubber Donut	200-160
300mm Flexi Hose	200-206



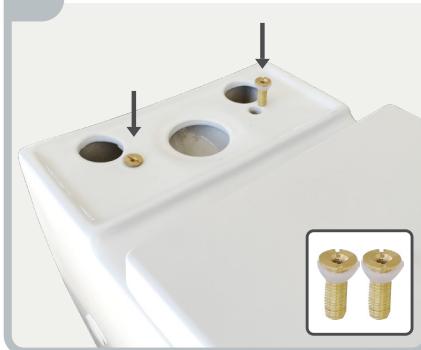
All installations should be carried out by a qualified tradesman in compliance with the national Plumbing & Drainage Code and any State or Local Authority Regulations, in accordance with AS/NZS 3500 series of standards and AS/NZA 6400.

All measurements are in millimetres and subject to change without notice.

**1** Parts required to mount cistern to pan.



**2** Attach cistern bolts into pan. Tighten from underneath.



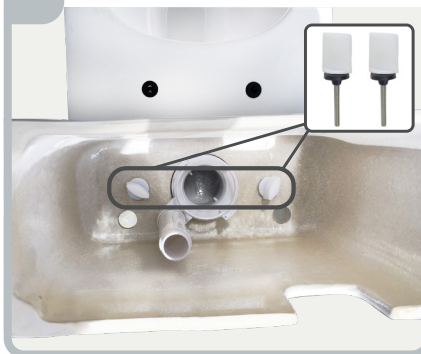
**3** Ensure outlet rubber is fitted to cistern.



**4** Sit cistern onto pan.



**5** Use supplied bolts to fasten cistern to pan.



**6** **TOP INLET SETUP:**



## S-TRAP INSTALLATION

1. The S-pipe should be put into position and cut to suit your set out.
2. Then attached to the wall using the thread bolt and plate provided.
3. Now push pan into position hard to ensure the ceramic outlet is pushed into the S-pipe by approx 50mm. This is so the rubber inside the S-pipe gets a good seal to stop water leaking.

**PLEASE DO NOT SILICONE PAN TO FLOOR UNTIL TOILET HAS BEEN CHECKED FOR LEAKS.**

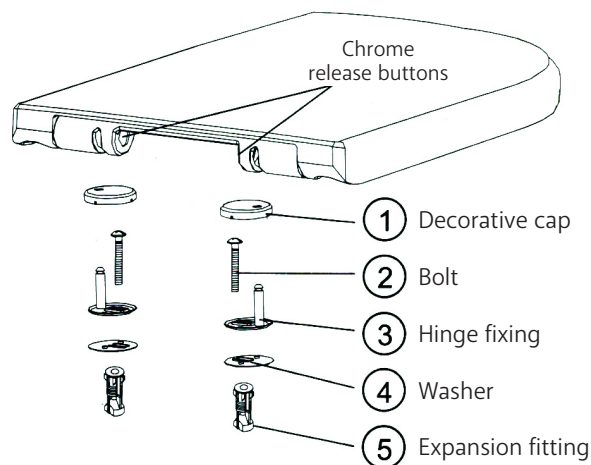
# LUCIANA

All installations should be carried out by a qualified tradesman in compliance with the national Plumbing & Drainage Code and any State or Local Authority Regulations, in accordance with AS/NZS 3500 series of standards and AS/NZA 6400.

All measurements are in millimetres and subject to change without notice.

## INSTALLATION STEPS

1. Open the box and check all the components.
2. Insert the expansion fittings (5) into the seat bolt holes in the WC.
3. Assemble washers (4), hinge fixings (3) and bolts (2) as shown in the diagram. Leave loosely attached.
4. Align the hinge housing of the seat with the hinge fixings and adjust the seat to desired position.
5. Remove the seat by depressing the chrome release buttons and lifting upwards.
6. Tighten the bolts with a Phillips head screwdriver ensuring that the expansion fittings are secure. Put the decorative cap in the position then attached the seat on the hinges.



## CLEANING

The toilet seat may be removed for cleaning - depress the chrome hinge release buttons and lift up.

Clean only with a soft cloth or sponge using warm water and mild soap or detergent.

Do **not** use any abrasive cleaning materials.

Do **not** use any solvents or corrosive liquids.

## WARRANTY STATEMENT

### VITEROUS CHINA

Fienza quality viteroous china is guaranteed for 5 years from date of purchase subject to the conditions below.

### PLASTICS & ACCESSORIES

Fienza Plastic Cisterns,, Accessories, Valves, Washers and Fixings are guaranteed for 1 year from the date of purchase subject to the conditions below.

### CONDITIONS

- Instalation has been carried out by a licensed plumber in accordance with the plumbing code of Australia.
- All maintenance and adjustments to the product after the installation have been carried out by a licensed plumber.
- No additives have been introduced into the cistern tank.
- Only mild household detergents and soft (non-abrasive) cloth has been used to clean the product.
- All goods of substandard quality manufacture (excluding imperfections permitted within AS1976 - Viterous China used in Sanitary Applications) will be credited or replaced by Fienza when advised within the warranty period, subject to prior inspection and agreement.
- Proof of purchase is required for warranty claims.

### LIMITATIONS

To the extent permitted under the Trade Practices Act and other relevant legislation, Fienza's liability is limited to:

- The cost of replacing the goods, or
- The cost of obtaining equivalent goods, or
- The cost of having the goods repaired
- Fienza is not responsible for any lack of operation or performance of goods (or any loss or damage) where goods are used or adapted for a with other goods not supplied by Fienza.
- It is the responsibility of the customer and installer before installation to ensure are correct and free of obvious visible faults.
- Fienza is not responsible for the labour and rectification costs incurred in the above circumstance.

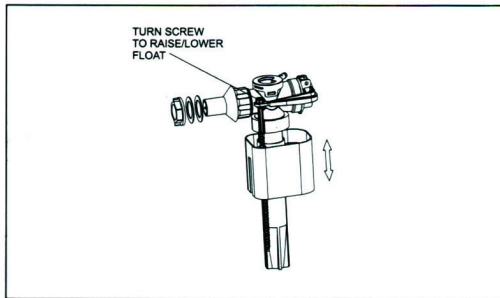
## CONDITIONS FOR ON-SITE WARRANTY SERVICE CALLS

Fienza will charge a service fee for each visit to an installation by its technician where it is determined that the fault is due to poorly executed or unlicensed installation work or where the product is not a genuine Fienza product or where the product is outside the warranty period. This may be paid in advance by credit card over the phone to a Fienza technician attending the site and will be refunded if the Fienza product is found to be at fault.

All installations should be carried out by a qualified tradesman in compliance with the national Plumbing and drainage code and any State or Local Authority Regulations.

## INLET VALVE SERVICE

### 1. Water level adjustment





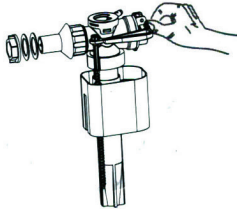
**WARNING**

DO NOT USE CHLORINE/CHEMICAL SANITISERS IN THE CISTERN TANK. SUCH USE MAY RESULT IN DAMAGE TO TANK COMPONENTS AND WILL VOID THE PRODUCT WARRANTY

### 2. Cleaning the diaphragm

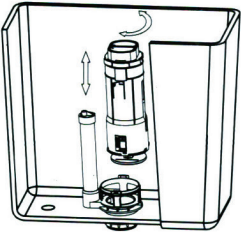
It is possible for dirt/debris to prevent the valve shutting off. To remedy this the diaphragm may be cleaned as follows:

1. Unclip the float arm from the adjustment screw
2. Twist the plastic top-assembly firmly anti-clockwise and remove it from the valve body
3. Inspect both rubber diaphragm and valve seat. Rinse under running water to remove dirt/debris
5. Re assemble in reverse order



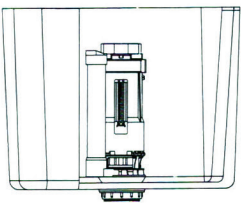
## OUTLET VALVE SERVICE

### Removal



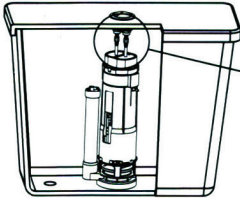
Valve may be removed for service - twist to unlock

### Assembly

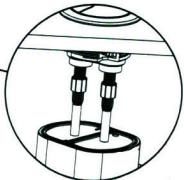


Hoses are not shown on this diagram

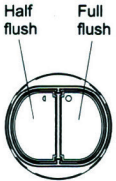
### Push button rod settings



Button rods must be just clear of the valve pads

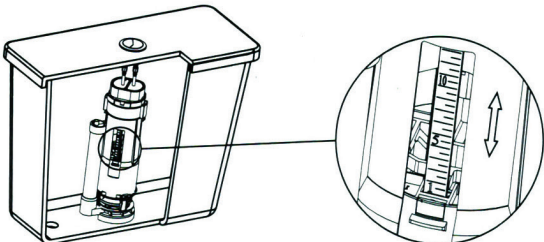


Button rods can be adjusted by screwing up or down



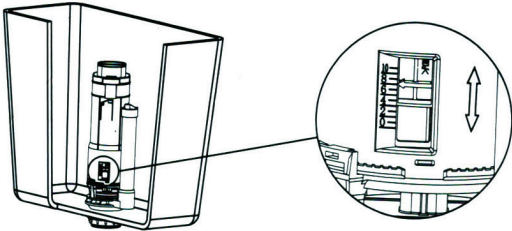
Ensure that buttons match valve pads

### Half flush adjustment



Half flush volume can be adjusted by moving the side float up or down.  
 Moving the float DOWN increases the half flush  
 Moving the float UP decreases the half flush

### Full flush adjustment



The full flush volume can be adjusted by changing the residual water level in the cistern.  
 Move the adjuster DOWN to increase the volume.  
 Move the adjuster UP to decrease the volume.