



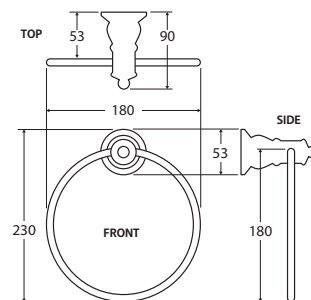
ACCESSORIES

LILLIAN Matte Black

Modern Vintage
 COLLECTION

LILLIAN Hand Towel Ring

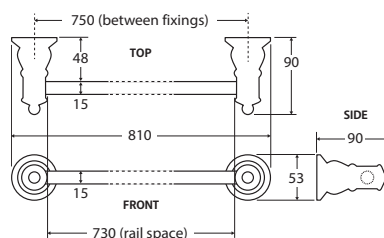
\$69 • 81002B



LILLIAN Single Towel Rail

\$99 • 81001B

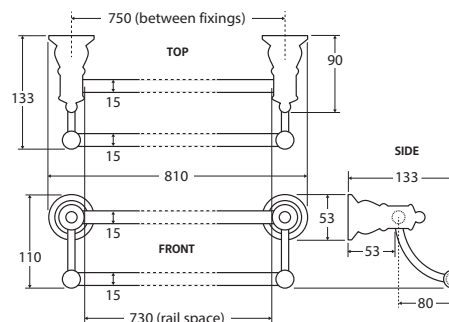
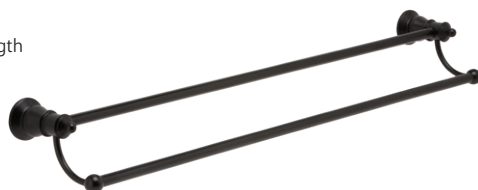
- Removable rail can be cut to desired length
- Unique, no-spin design
- Electroplated matte black finish
- Zinc & stainless steel construction
- High-strength fixing brackets



LILLIAN Double Towel Rail

\$145 • 81008B

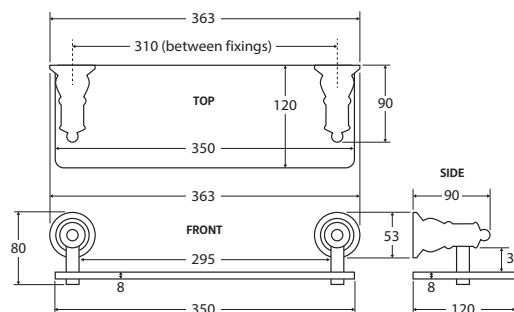
- Removable rails can be cut to desired length
- Unique, no-spin design
- Chrome finish
- Zinc & stainless steel construction
- High-strength fixing brackets



LILLIAN Glass Shelf

\$110 • 81007B

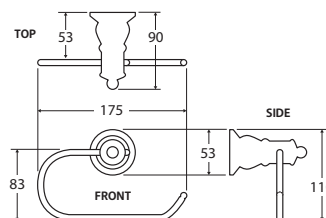
- 8mm thick tempered glass shelf
- Not adjustable
- Electroplated matte black finish
- Zinc & stainless steel construction
- High-strength fixing brackets



LILLIAN Toilet Roll Holder

\$75 • 81003B

- Electroplated matte black finish
- Zinc & stainless steel construction
- High-strength fixing brackets



LILLIAN Robe Hook

\$49 • 81004B

- Electroplated matte black finish
- Zinc & stainless steel construction
- High-strength fixing brackets

