



BASINS

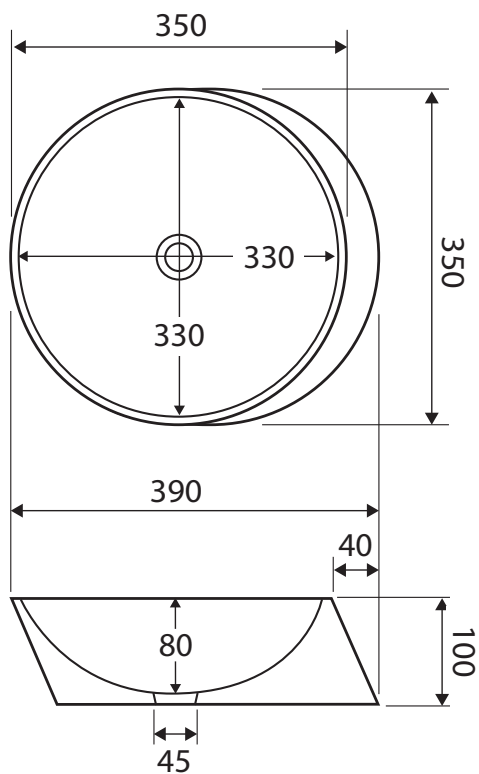
ALIX

Above Counter Basin

REGISTERED DESIGN  
EXCLUSIVE TO FIENZA®

\$249 • RB3130

- Unique, angled design
- Gloss white ceramic
- No tap hole or overflow
- Requires 32mm waste without overflow (not included)



SIDE VIEW

DOMESTIC WARRANTY:

**5 YEAR** CERAMIC  
5 YEARS replacement parts or product

COMMERCIAL WARRANTY:

**5 YEAR** CERAMIC  
5 YEARS replacement parts or product