

ALIX

Back-to-Wall Toilet Suite



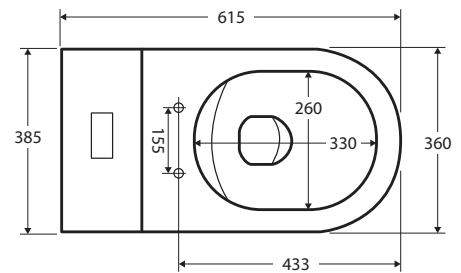
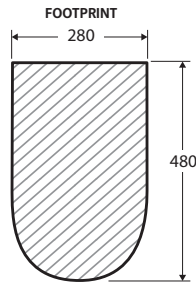
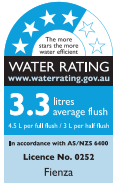
White Seat:

- P-Trap** • \$564 • K011P
- S-Trap 90-160** • \$599 • K011A
- S-Trap 160-230** • \$614 • K011B

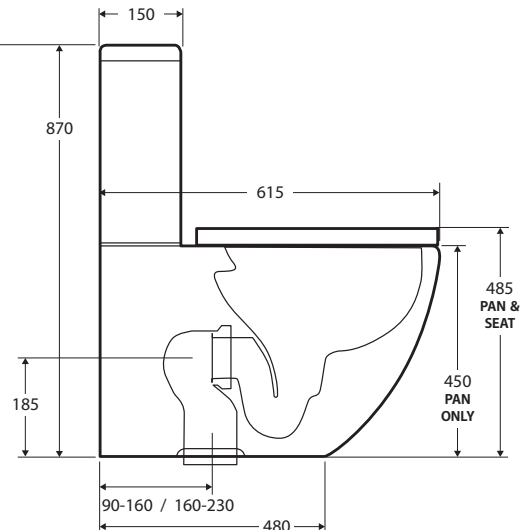
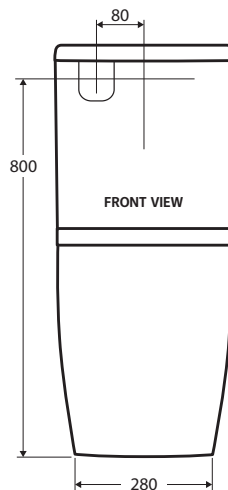
Grey Seat:

- P-Trap** • \$564 • K011GP
- S-Trap 90-160** • \$599 • K011GA
- S-Trap 160-230** • \$614 • K011GB

- Can be installed to comply with Ambulant AS1428.1
- Extended height pan: 450mm
- Rimless hygienic flushing
- Short projection from wall for tight spaces
- Concealed pan for easy cleaning
- White OR grey UF quick release, soft close seat
- Large, easy-push chrome flush buttons
- High quality, R&T flush mechanism
- Top or bottom inlets:
 - Left top inlet
 - Left or right bottom inlet
- Available as P-Trap or S-Trap
- **WELS 4 Star rated, 4.5L/3L (3.3L average flush)**
- **WELS Registration: L06202**



Optional Grey Seat



**Optional Matte Black
Flush Buttons**
\$30 • 200784

DOMESTIC WARRANTIES

- 5 YEAR WARRANTY** CERAMICS: 5 Years
- 3 YEAR WARRANTY** CISTERN / VALVES: 3 Years
- 1 YEAR WARRANTY** SEAT & SEAT LID: 1 Year