

INSTALLATION INSTRUCTIONS

AVON SEMI-RECESSED BASIN

JohnsonSuisse
Bathroom Solutions

PRODUCT

CODE:

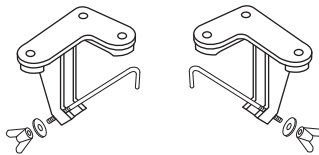
J3010.1 - 1 TAPHOLE

J3010.3 - 3 TAPHOLE

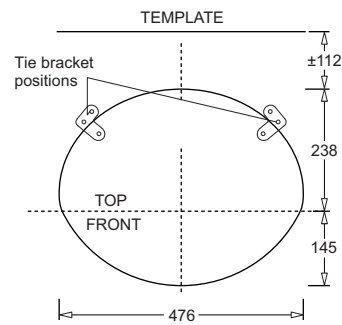


INSTALLATION STEPS

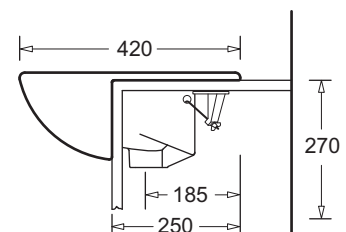
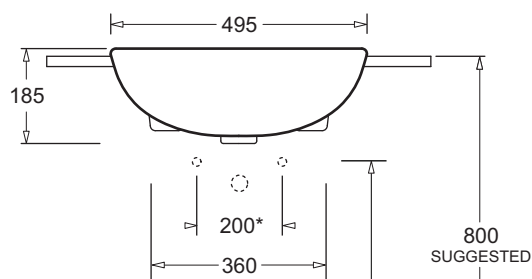
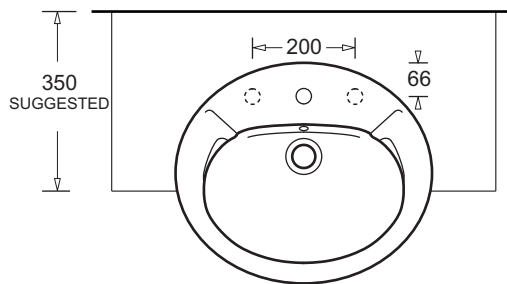
1. Fold the cut-out template and place over the counter top and apron. Secure with adhesive tape.
2. Transfer template cutting lines to counter top and apron - note that apron must be <20mm thick.
3. Use a jigsaw or similar to cut out the opening. Check-fit the basin and adjust cut out to suit.
4. Fit tapware and waste assembly to basin.
5. Attach the tie-brackets to the underside of the bench (positioned as shown on the template).
6. Apply silicone sealant to the counter top and apron contact faces (do **not** use epoxy adhesive).
7. Fit the basin, connecting the tie hooks to secure the basin in place.
8. Apply finishing sealant to edges and smooth to an acceptable cosmetic finish.



TIE BRACKETS (PAIR)



DIMENSIONS



NOTE:
BASIN TO BE SEALED TO COUNTER
TOP USING ACETIC CURE SILICONE
SEALANT DO NOT USE EPOXY
ADHESIVES

* RECOMMENDED WATER INLET LOCATIONS