

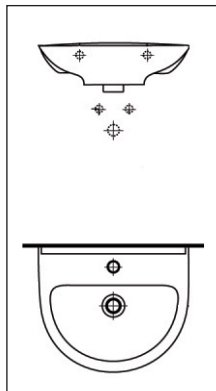
# GENERAL INSTALLATION INSTRUCTIONS for WALL and PEDESTAL/SHROUD MOUNTED BASINS

These instructions can be used as a general guide for installing wall basins that use the rag bolt mounting method.

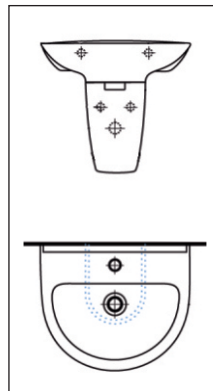
NOTE: when installing onto a stud wall a reinforcing noggin is required, this should be fitted centred on the height of the mounting rag bolts.

The diagrams A,B,C illustrate the basin types that are covered by these instructions:

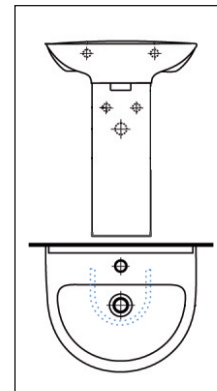
**A** WALL MOUNT



**B** WALL MOUNT with SHROUD

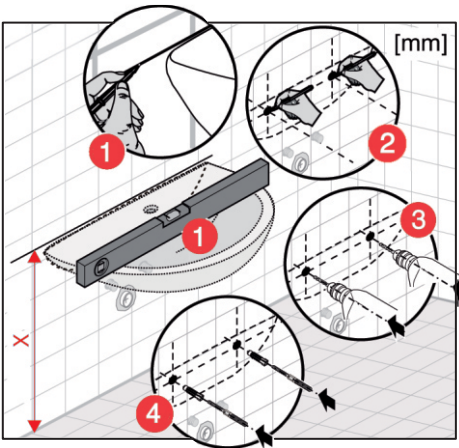


**C** WALL MOUNT with PEDESTAL

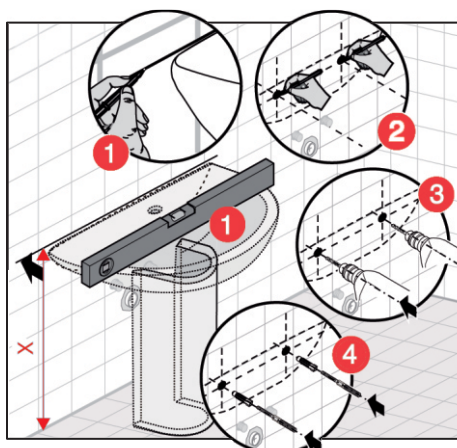


## INSTALLATION STEPS

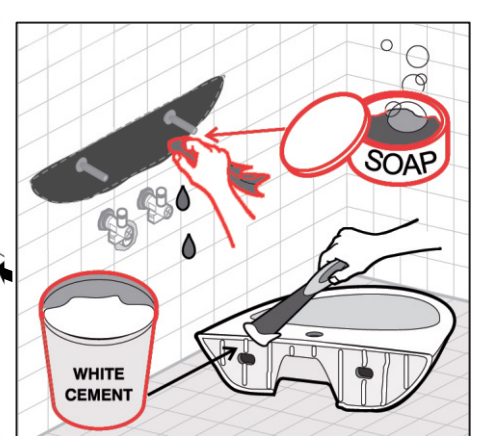
1. **A B**



1. **C**

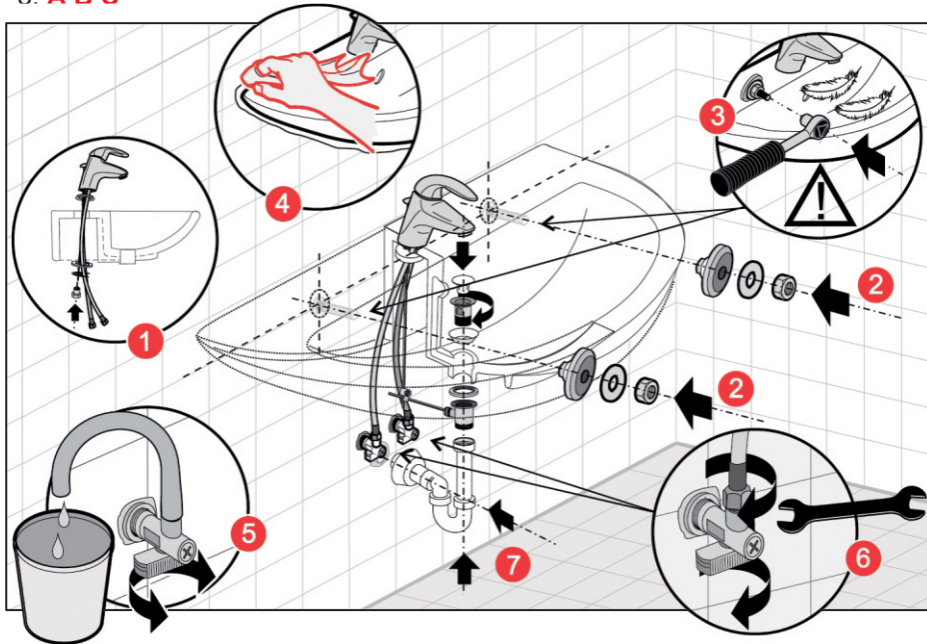


2. **A B C**

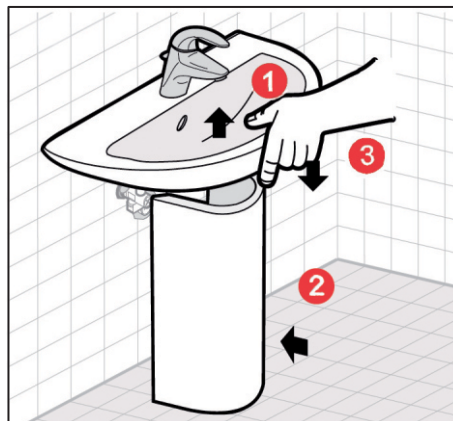


# GENERAL INSTALLATION INSTRUCTIONS for WALL and PEDESTAL/SHROUD MOUNTED BASINS

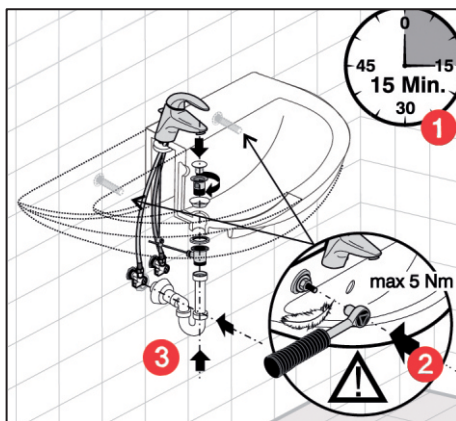
### 3. A B C



### 4. C



### 5. A B C



### 6. B

