

# EMILIA

## TOILET SEAT

**JohnsonSuisse**  
Bathroom Solutions

CODE:  
JSEE105

### FEATURES

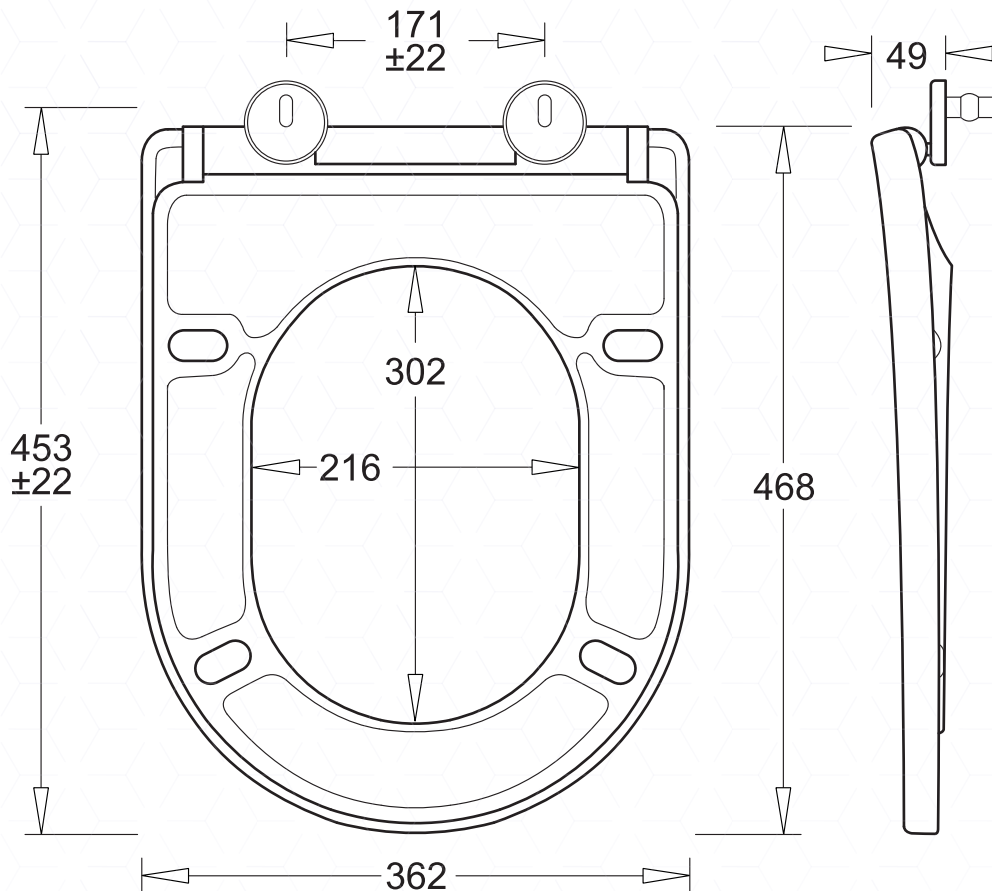
- ATTRACTIVE SLIM STYLE TOILET SEAT
- DURABLE DROPLAST CONSTRUCTION
- SOFT-CLOSE HINGE
- QUICK RELEASE BUTTON FOR EASY CLEANING
- TOP FIXED MOUNTING BOLTS
- 4 x SEAT BUFFERS

### COMPATIBILITY

EMILIA FLUSH TO WALL SUITE JTTE405.JTTE406

### WARRANTY

1 YEAR - REFER TO T&CS AT [johnsonsuisse.com.au](http://johnsonsuisse.com.au)



## TECHNICAL DATA SHEET

SUPERSEDES ALL PREVIOUS ISSUES

All dimensions are in millimetres and are subject to normal manufacturing variation.  
As product development is ongoing BPA reserves the right to vary specifications without notice.  
**Bathroom Products Australia P/L** ABN 87 079 297 617

2/97 Banksia St., Botany, NSW 2019  
TEL: 1300 717 717 FAX: 1300 746 480  
[www.johnsonsuisse.com.au](http://www.johnsonsuisse.com.au)

V1 0121