

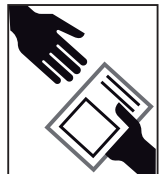


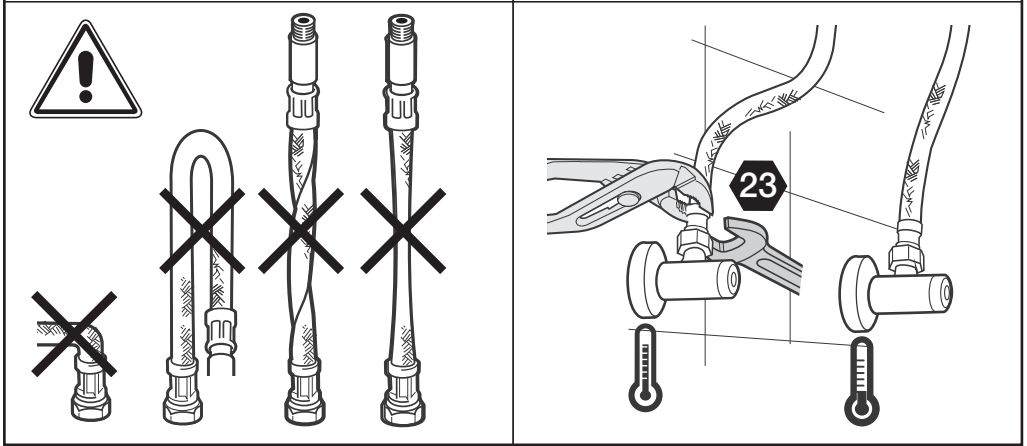
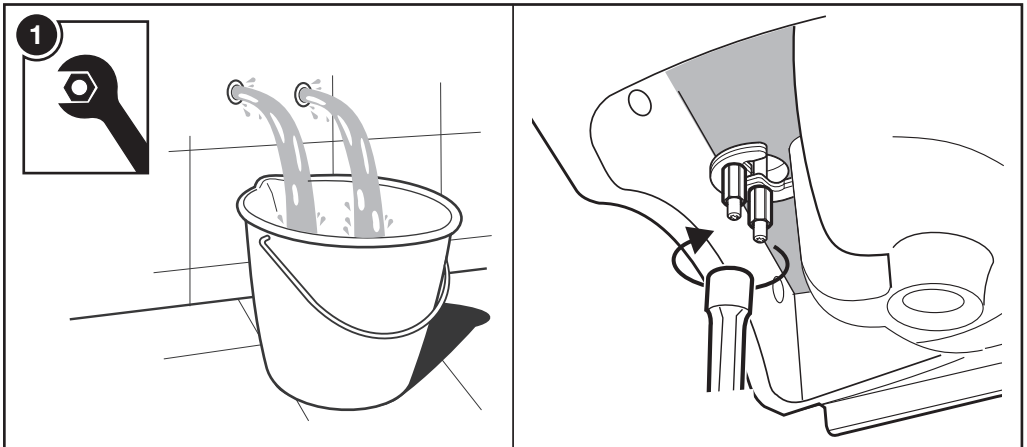
JohnsonSuisse














FERLA

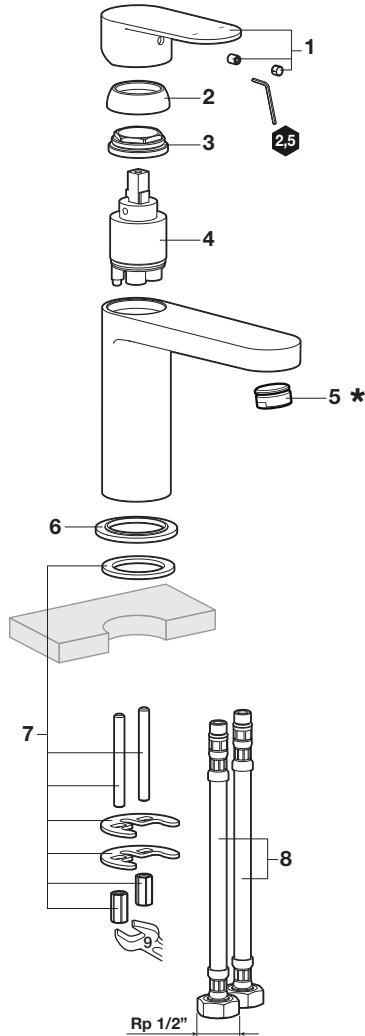


AS/NZS 3718
WMKA 25255



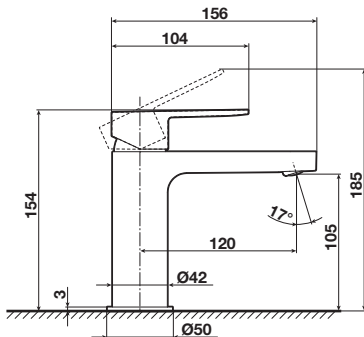
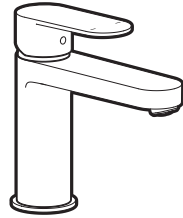


 P 	P kPa	 MAX 1000	
 P 	P kPa	500 MAX  MIN 100	300 200  
  T	°C	 -80 MAX.	 -65 -45 

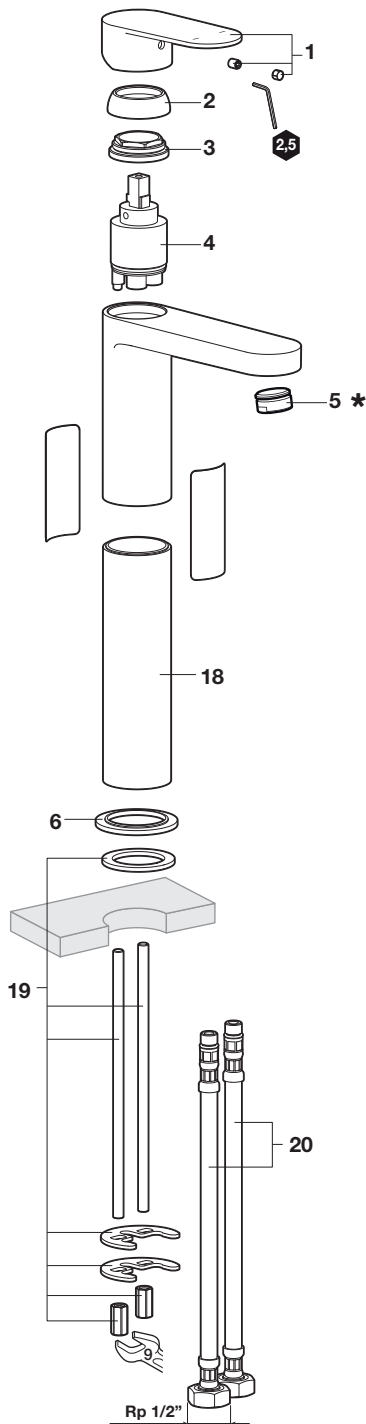


WBFA301361CP

JTFR121

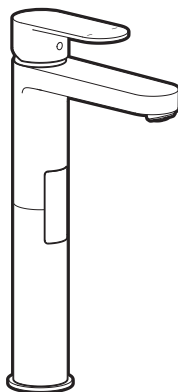


*The aerator/flow controller is pre-fitted.

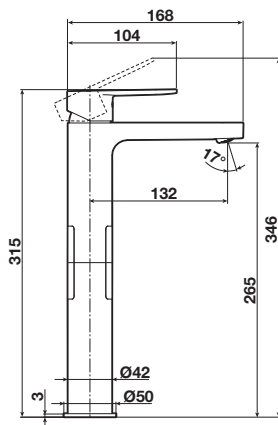


WBFA301366CP

JTFR223



*The aerator/flow controller is pre-fitted.

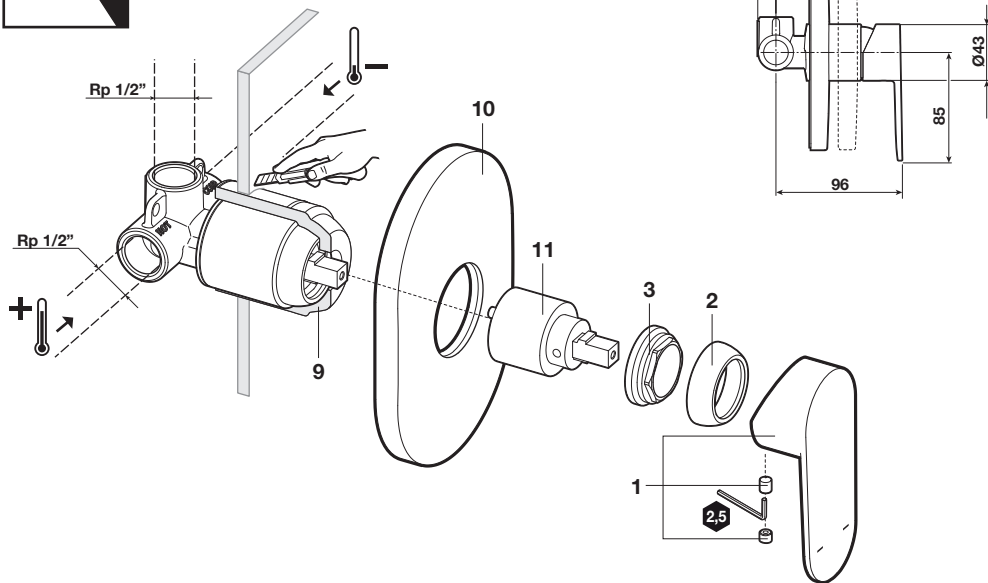


4



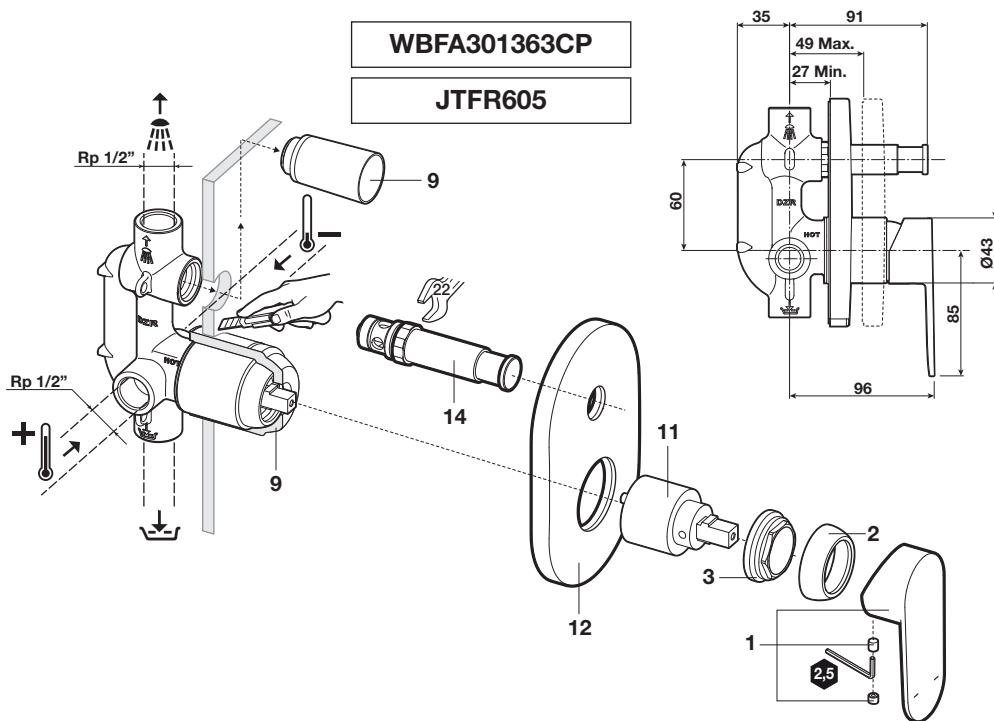
WBFA301362CP

JTFR705



WBFA301363CP

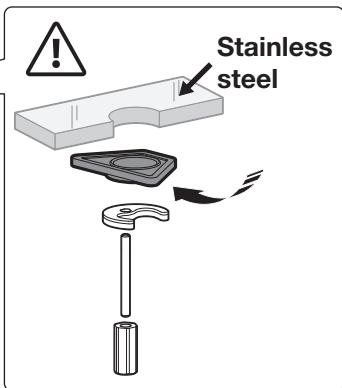
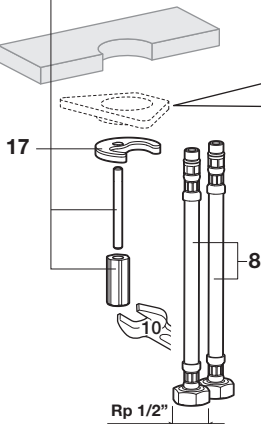
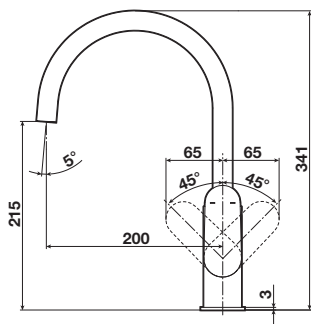
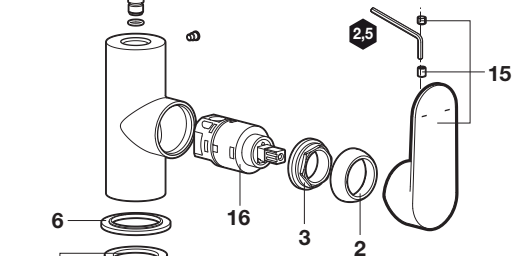
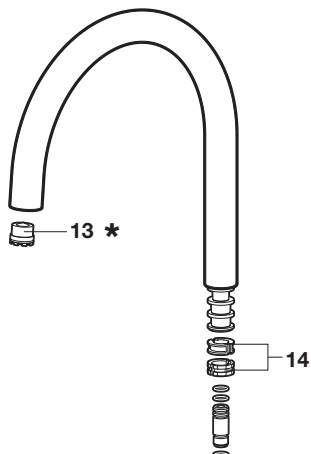
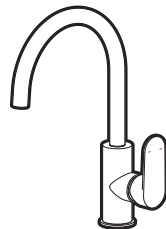
JTFR605





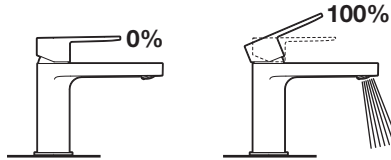
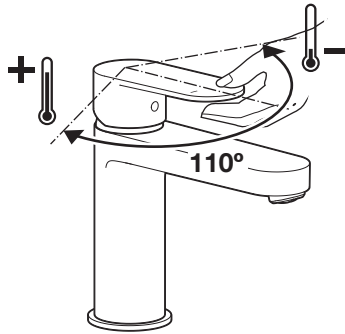
WBFA301365CP

JTFR423

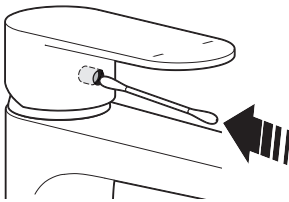


*The aerator/flow controller is pre-fitted.

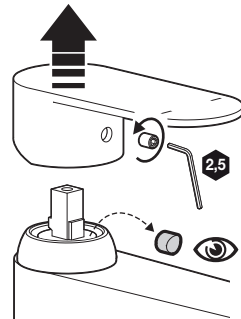
6



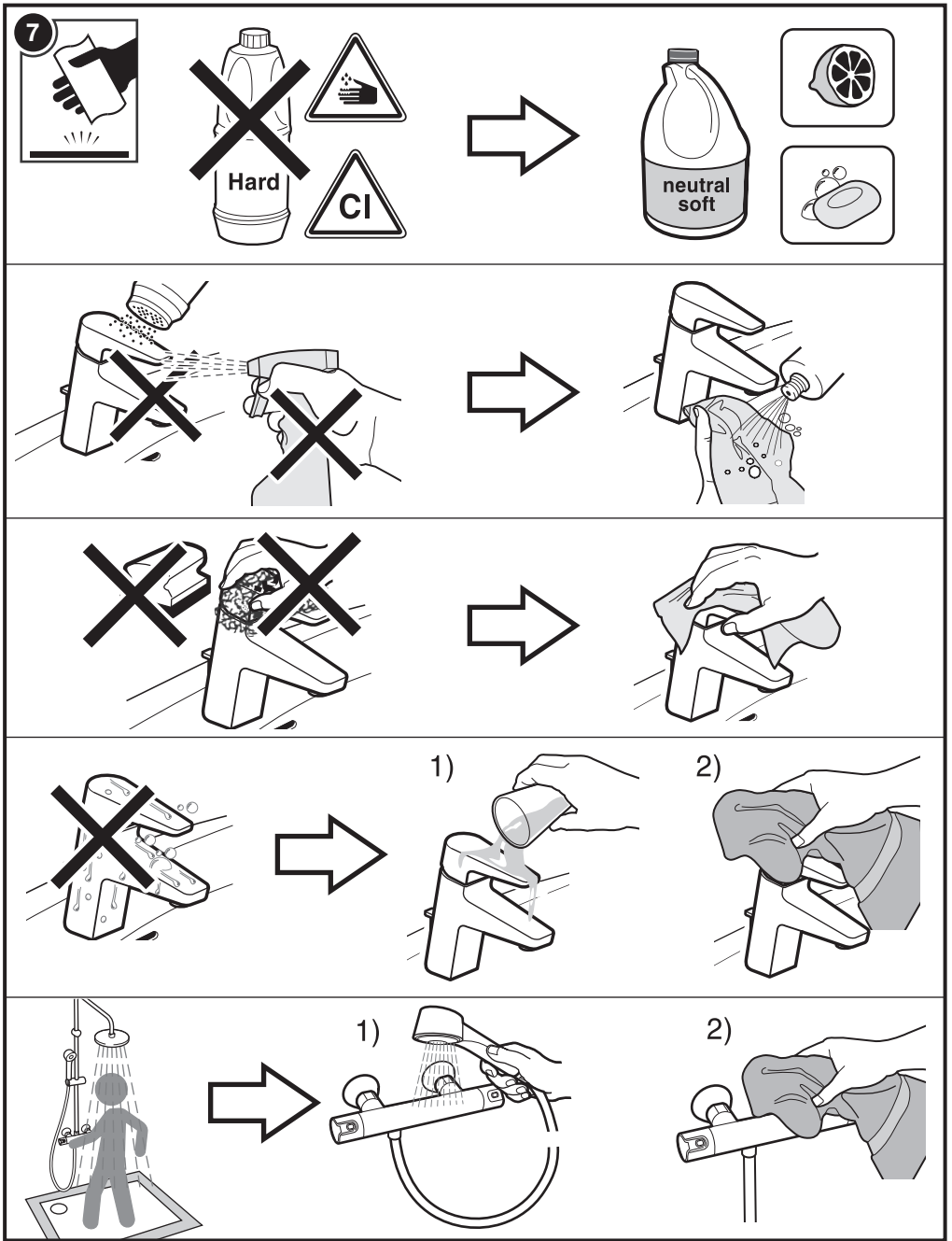
1



2



- | | | |
|---------------------|----------------------|----------------------|
| 1 - QRF0000NE000387 | 8 - QRF0900NE000414 | 15 - QRF0000NE000435 |
| 2 - QRF0300NE000371 | 9 - QRF0700NE000408 | 16 - QRF0300NE000395 |
| 3 - QRF0300NE000372 | 10 - QRF0000NE000432 | 17 - QRF0300NE000397 |
| 4 - QRF0700NE000418 | 11 - QRF0300NE000406 | 18 - QRF0300NE000404 |
| 5 - QRF0000NE000436 | 12 - QRF0000NE000433 | 19 - QRF0000NE000416 |
| 6 - QRF0000NE000396 | 13 - QRF0700NE000415 | 20 - QRF0300NE000393 |
| 7 - QRF0300NE000376 | 14 - QRF0700NE000392 | |



Bathroom Products Australia Pty Ltd.

2/97 Banksia Street BOTANY NSW 2019

T: 1300 717 717 / F: 1300 746 480

e: bpa.info@johnsonsuiss.com.au

w: [https:// johnsonsuiss.com.au/](https://johnsonsuiss.com.au/)