

# INSTALLATION INSTRUCTIONS

## COLONIAL FEATURE S TRAP

### TOILET SUITE

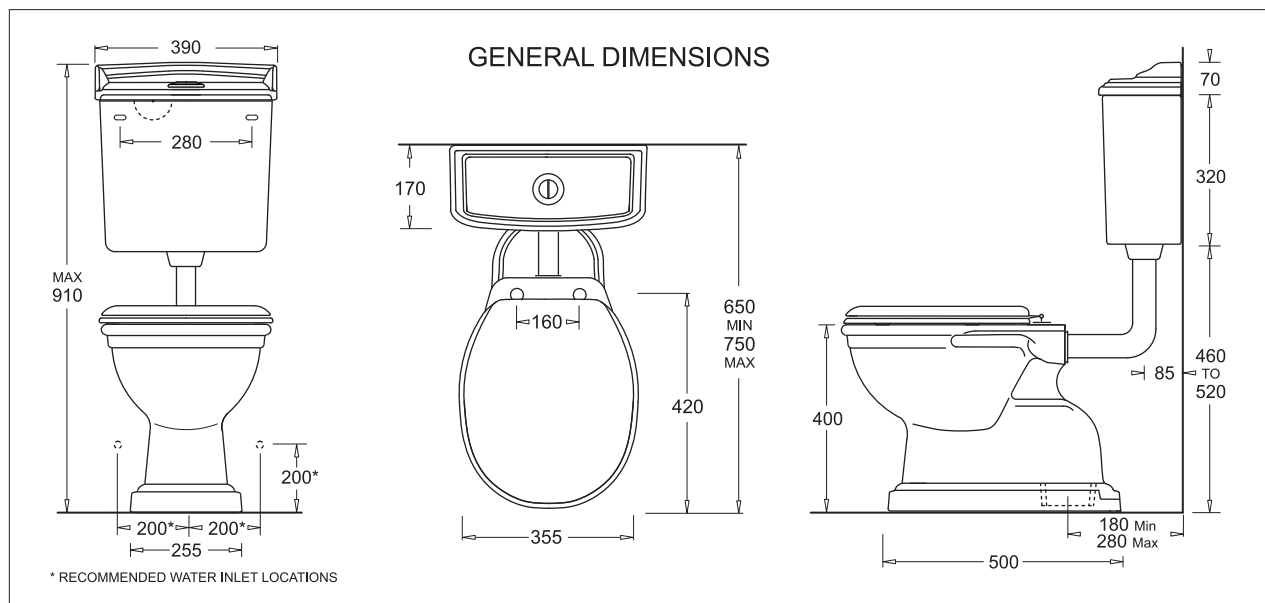
**JohnsonSuisse**  
Bathroom Solutions

PRODUCT CODE Colonial Feature S Trap Suite J2050.J2401M

The Colonial Feature suite comprises a period style Colonial pan and cistern with an exposed metal flush pipe. Various seat options are available.

The suite is WELS 4 Star rated with 4.5/3L dual flush

Cistern water inlet is on right side of tank - installer changeable to the left.



#### Before You Start

- Inspect all components for any transit damage before starting installation. If damaged or faulty do not install, contact your supplier.
- Check site roughing in, water supply position and assembly dimensions before commencing installation.

#### Fixing the WC Pan

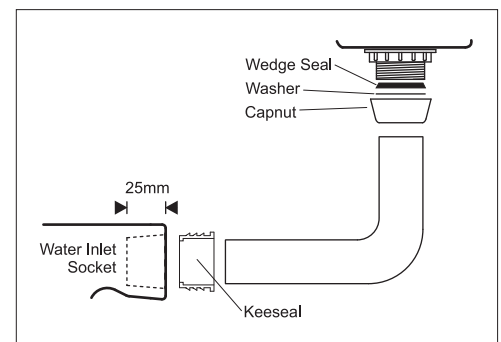
- The WC pan must be installed level with the set-out within the dimensions shown.
- The WC can be installed by setting in a mortar bed or using screw fixings. (fixings not supplied)
- For mortar bedding use a 4:1 sand and standard cement mix (do not use Rapid Hardening or White cement).
- If the floor is tiled, cut out the tiles beneath the pan to create a good bonding surface.
- When using fixing screws a waterproof sealant may be applied to the pan base before locating it in the correct position. Always use protective plastic bushes with the fixing screws. Do not over-tighten the screws.
- In all installations take care to ensure that the pan connector is correctly sealed to the pan outlet spigot.

#### Fitting the Cistern

- Fit the cistern to the wall using the wall screws/plugs.
- Check that the inlet and outlet valve securing nuts are firmly tightened to prevent leaks. Do not over-tighten.
- Cut the flush pipe to suit the installation ensuring that it extends 25mm into the water inlet socket of the WC.
- Assemble the Keeseal, Capnut and Washer and Wedge Seal onto the pipe and install.

#### Water Connection

- **Always flush the water supply pipes** before connecting the cistern inlet valve.
- Fill the cistern, and check the water level against the 4.5L fill line.
- Test flush while observing for leaks.



All installations should be carried out by a licensed plumber in compliance with the Plumbing Code of Australia and any State or Local Authority Regulations

# VALVE SERVICE

## INLET VALVE SERVICE

### 1. Major water level adjustment

<p>1</p> <p>Remove the body locking clip</p>	<p>2</p> <p>Twist valve body anticlockwise to release. Slide up/down to desired position and twist back to lock.</p>	<p>3</p> <p>Replace the body locking clip</p>
--	--	---

**WARNING**

DO NOT USE CHLORINE/CHEMICAL SANITISERS IN THE CISTERN TANK. SUCH USE MAY RESULT IN DAMAGE TO TANK COMPONENTS AND WILL VOID THE PRODUCT WARRANTY

### 2. Minor water level adjustment

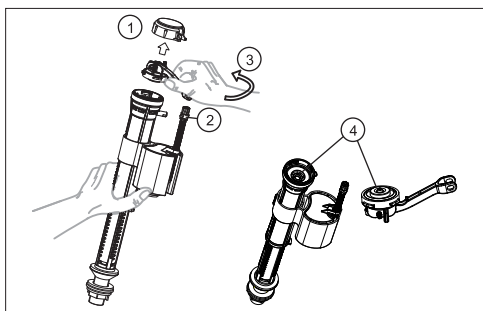
<p>1</p> <p>Unlock the float cup and slide up or down to the new position</p>	<p>2</p> <p>Float adjustment</p> <p>With a screwdriver adjust the float - the top of the float(A) should be 2-4mm below the level of the top of the float cup(B)</p>	<p>3</p> <p>Relock the float cup</p>
---	--	--------------------------------------

### 3. Cleaning the valve diaphragm

It is possible for dirt/debris to prevent the valve from shutting off.

To remedy this the diaphragm may be cleaned as follows:

1. Remove the cover cap
2. Unclip the float arm from the adjustment screw
3. Twist the plastic top-assembly firmly anti-clockwise and remove it from the valve body
4. Inspect both rubber diaphragm and valve seat. Rinse under running water to remove dirt/debris
5. Re assemble in reverse order



## OUTLET VALVE SERVICE

<p><b>Removal</b></p> <p>Valve may be removed for service - twist to unlock</p>	<p><b>Assembly</b></p> <p>Hoses are not shown on this diagram</p>	<p><b>Push button rod settings</b></p> <p>Button rods must be just clear of the valve pads</p> <p>Button rods can be adjusted by screwing up or down</p> <p>Ensure that buttons match valve pads</p>
---	---	--

<p><b>Half flush adjustment</b></p> <p>Half flush volume can be adjusted by moving the side float up or down. Moving the float DOWN increases the half flush. Moving the float UP decreases the half flush.</p>	<p><b>Full flush adjustment</b></p> <p>The full flush volume can be adjusted by changing the residual water level in the cistern. Move the adjuster DOWN to increase the volume. Move the adjuster UP to decrease the volume.</p>
---	---