

# MEDIUM CLINICAL HAND BASIN

TYPE B

Nominal Size 610 x 460mm



0/1 TAPHOLE  
NO OVERFLOW

# CLINICAL HAND BASIN

## TYPE B MEDIUM BASIN



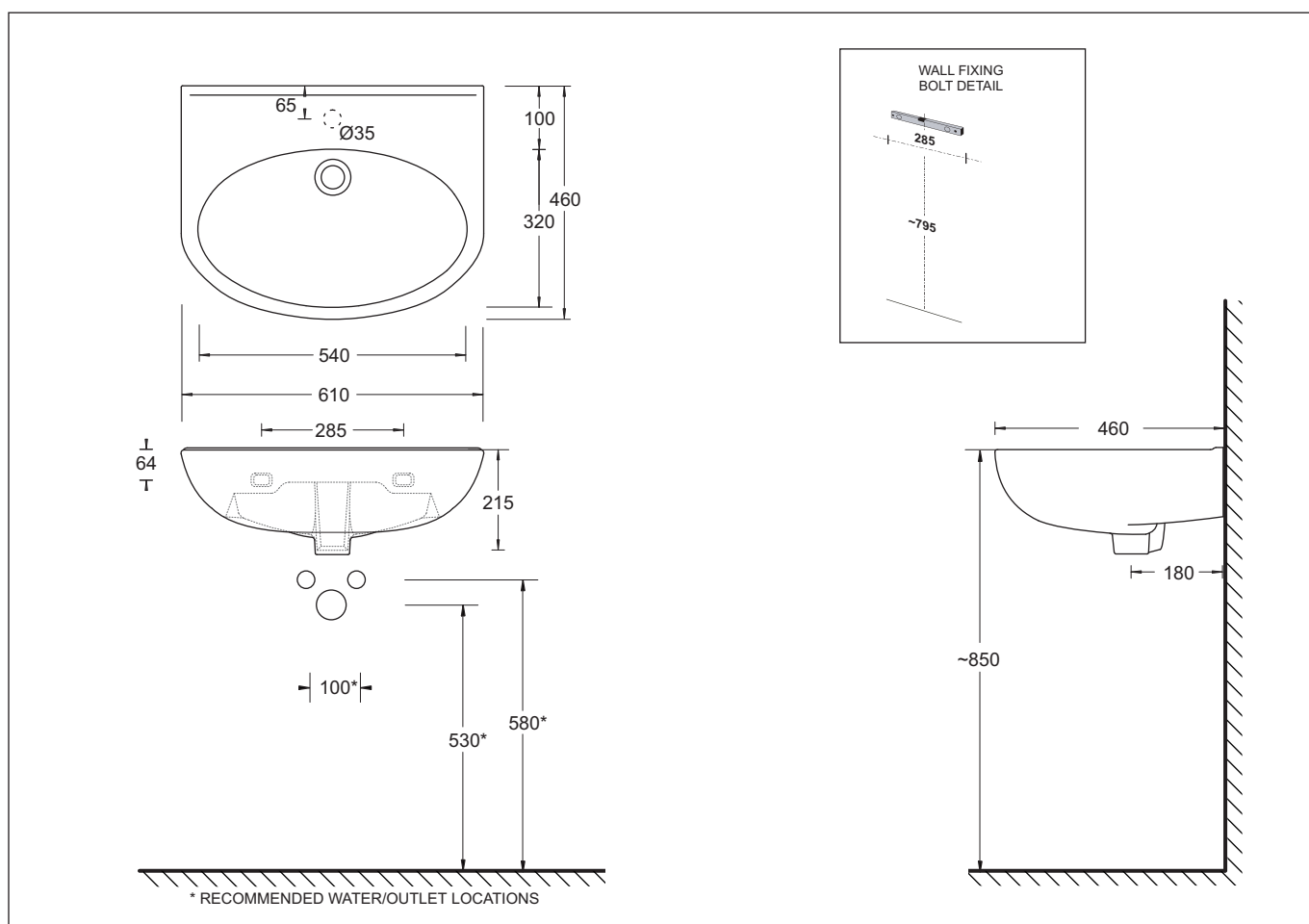
- Type B hand basin - suitable for clinical hand washing use
- No overflow
- Available with 0 or 1 tap hole
- Broad soap platform area
- Secure wall mountings supplied
- 32mm waste outlet
- 610 x 460mm

### Provided

Item	Description	Code
Basin	Type B Medium Non-Clinical Hand Basin	J3092
Installation	Rag bolts	X022
Plug & Waste	32/40mm Overflow-Chrome	PW1

### Optional

Shroud	Universal Shroud	J3189
--------	------------------	-------



All dimensions are in millimetres and are subject to normal manufacturing variation of +/- 3mm on all surfaces. As product development is ongoing BPA reserves the right to vary specifications without notice.

Bathroom Products Australia P/L ABN 87 079 297 617