

INSTALLATION INSTRUCTIONS

Gemelli Care Rimless Special Needs Suite

Code JTTG335.JTTG336



AS1428.1 ✓

JohnsonSuisse
Bathroom Solutions

DESCRIPTION

The Gemelli Care Special Needs suite is a rimless, fully concealed, flush to wall suite that has a variable set out.

An Assist special needs seat is supplied. This seat has lateral supports and no cover.

The suite uses a raised button for easy flushing.

The suite is supplied with an adjustable S Trap connector fitting that permits a 100-350mm set out range. The suite can also be connected in a P Trap configuration (fittings not supplied).

The water inlet is back entry.

The cistern is bolted to the pan from inside the cistern tank and can be removed if necessary for servicing.

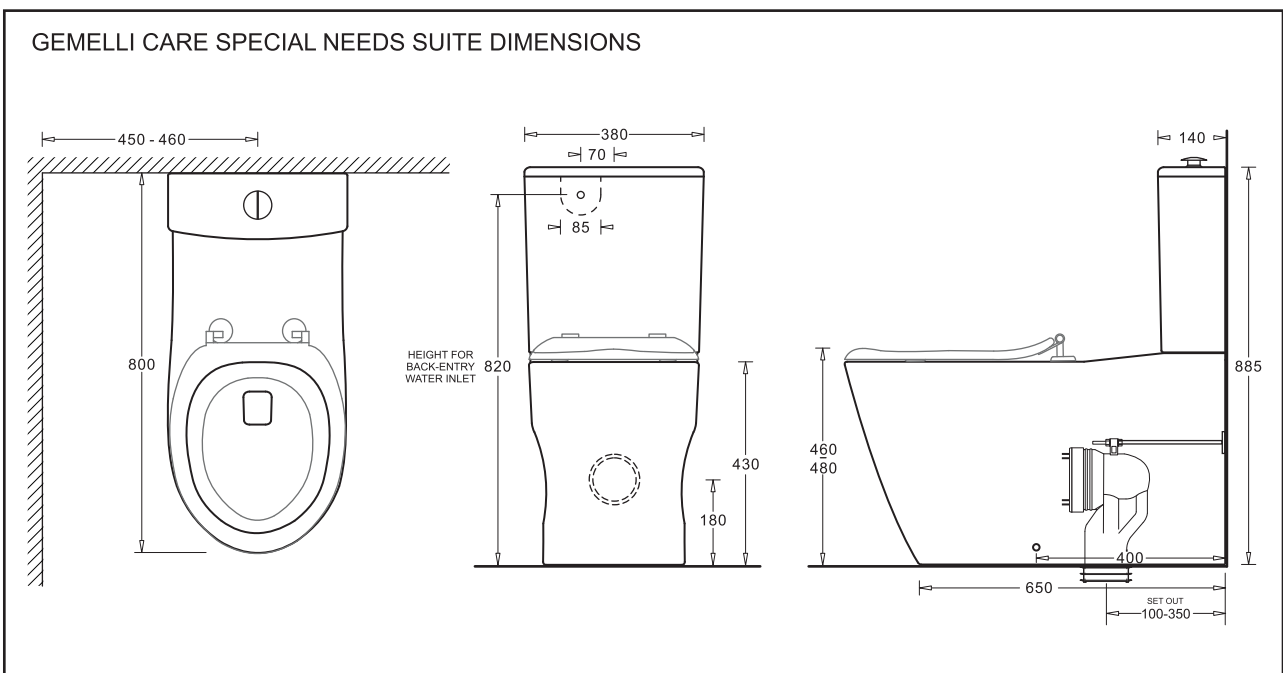
Floor fixing brackets are provided.

Special Note

The Gemelli Care Suite is designed to comply with AS1428.1(2009)-Design for access and mobility.

It is essential that the complete total sanitary facility installation adheres to this standard - specified circulation clearances, grab rails, and other accessories must be in compliance.

For compliance with this Standard the seat and flush button are available in dark blue or grey colours to provide contrast for vision impaired individuals. The seat also has lateral stabilisers fitted for individuals with ambulatory limitations and there is no seat lid.



INSTALLATION STEPS

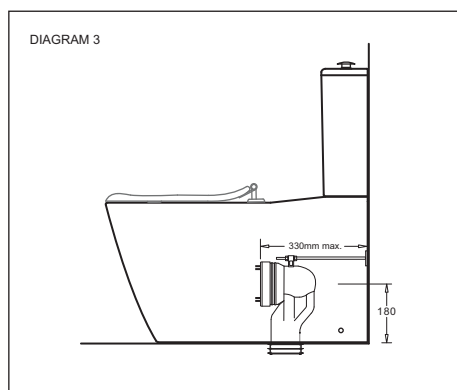
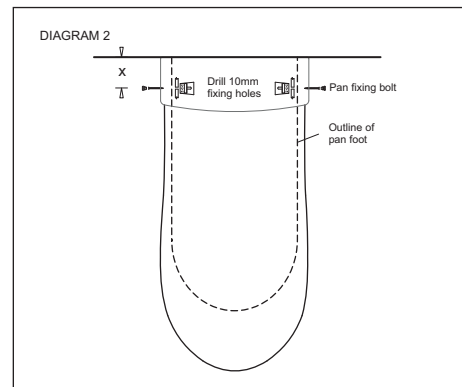
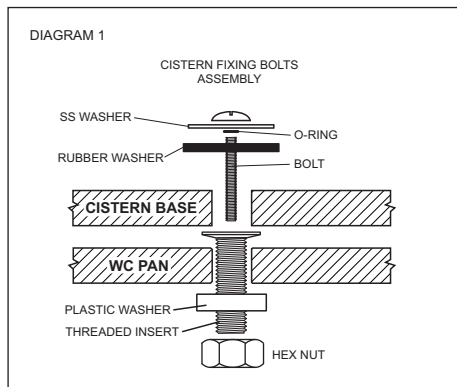
1. Inspect the pan, cistern and seat for any transit damage before starting installation.
2. Check site roughing in, cistern tap position and assembly dimensions before starting installation. The WC must be installed on a level surface.
3. Insert the threaded insert and hex nut to pan platform as in DIAGRAM 1
4. Place the pan in position ensuring it is aligned with the centerline of the sewer connection. Mark the location of the pan fixing bolt holes.
5. Remove pan and locate the position of the floor brackets ± 30 mm in from the external edges of the pan side. Drill the holes (10mm) to attach the floor fixing brackets. (DIAGRAM 2)
6. For S Trap installation cut the threaded bracing prop on the pan connector elbow to the correct length to suit the set out. Cut the pan connector fitting to the correct length and height to suit the job. Install the connector and screw the bracing prop to the back wall. Check the outlet connection fit with the pan fully back against the wall. (DIAGRAM 3)
7. For P Trap installation a pan connector and extension will be required.

INSTALLATION INSTRUCTIONS

Gemelli Care Rimless Special Needs Suite

Code JTTG335.JTTG336

9. Fit the threaded cistern fixing inserts into the holes in the cistern platform of the pan (DIAGRAM 1)
10. Move the pan back into position ensuring it seals with the pan connector.
11. Fit the screws into the floor fixing brackets and affix decorative caps. A waterproof sealant may be applied to the pan base.
Note - if mortar bedding is required use a 4:1 sand and standard cement mix (**do not use Rapid Hardening Cement**). If the floor is tiled, cut out the tiles beneath the pan to create a good bonding surface.
12. Cistern fitting - The water supply to the inlet valve must be connected in accordance with AS/NZ3500.1. Check that the outlet valve securing nut is firmly tightened to prevent leaks. Do not over-tighten. Fit the foam sealing ring to the outlet valve base
Fit the cistern to the pan using the seals, washers and bolts provided (DIAGRAM 1).
Screw down firmly and evenly to compress the foam sealing ring.
Connect the flexible hose to the water supply.
13. Flush out the supply pipes before connecting the water supply . This is particularly important in new installations.
14. Fill the cistern and check the water level, if necessary adjust the inlet valve float so the water is at the indicated level.
15. Attach the cistern lid and buttons and test flush several times while checking for leaks
16. Fit seat



Scope of Use - Gemelli Care Rimless Toilet Suite

- This toilet suite is manufactured in vitreous china and is a rimless close-coupled design. The pan and cistern are supplied as a matched set.
- The suite is suitable for installation in compliance with AS 1428.1 for disabled use applications. (AS1428,1 Design for access and mobility Part 1).
- The suite is supplied in a P Trap configuration with S Trap installation achieved using a plastic elbow pan connector. This connector provides flexibility in the possible set-out range.
- The toilet suite complies with AS1172 Parts 1 & 2 and has a recommended working load bearing limit of 200kg.
- The operating inlet water pressure range is 20-800kPa.
- Installation is subject to the National Construction Code Vol.3 - Plumbing Code of Australia and associated reference Standards that may be applicable at the time.
- To comply with the terms of the BPA warranty the product must be installed by a licenced plumber to the provided instructions.
- External vitreous china surfaces should be cleaned with a soft, damp cloth and mild detergent.
The interior of the flushing bowl should be regularly cleaned with a toilet brush and proprietary toilet cleanser.
- Chemical/chlorine water sanitisers must not be used in the cistern tank.

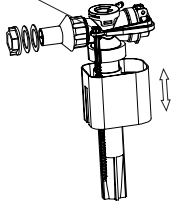
INSTALLATION INSTRUCTIONS
Gemelli Care Rimless Special Needs Suite
Code JTTG335.JTTG336

VALVE SERVICE

INLET VALVE SERVICE

1. Water level adjustment

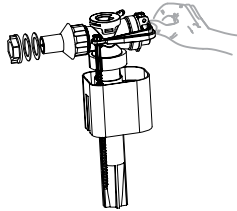
TURN SCREW
TO RAISE/LOWER
FLOAT




2. Cleaning the diaphragm

It is possible for dirt/debris to prevent the valve shutting off.
 To remedy this the diaphragm may be cleaned as follows:

1. Unclip the float arm from the adjustment screw
2. Twist the plastic top-assembly firmly anti-clockwise and remove it from the valve body
3. Inspect both rubber diaphragm and valve seat. Rinse under running water to remove dirt/debris
5. Re assemble in reverse order



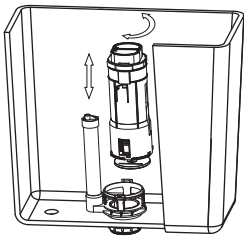


WARNING

DO NOT USE CHLORINE/CHEMICAL SANITISERS IN THE CISTERN TANK. SUCH USE MAY RESULT IN DAMAGE TO TANK COMPONENTS AND WILL VOID THE PRODUCT WARRANTY

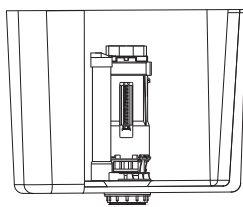
OUTLET VALVE SERVICE

Removal



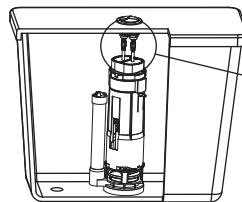
Valve may be removed for service - twist to unlock

Assembly

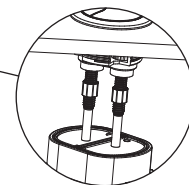


Hoses are not shown on this diagram

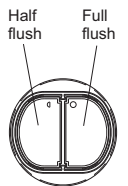
Push button rod settings



Button rods must be just clear of the valve pads

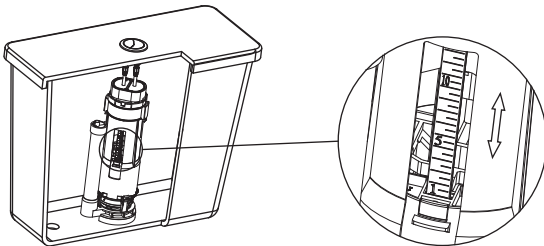


Button rods can be adjusted by screwing up or down



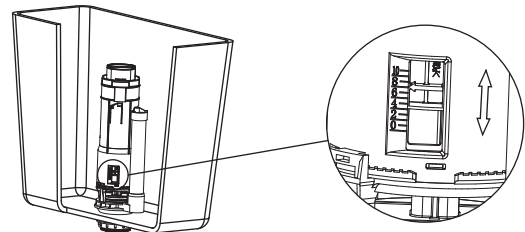
Ensure that buttons match valve pads

Half flush adjustment



Half flush volume can be adjusted by moving the side float up or down.
 Moving the float DOWN increases the half flush
 Moving the float UP decreases the half flush

Full flush adjustment



The full flush volume can be adjusted by changing the residual water level in the cistern.
 Move the adjuster DOWN to increase the volume.
 Move the adjuster UP to decrease the volume.