

INSTALLATION INSTRUCTIONS

PLAZA ASSIST TOILET SUITE

PRODUCT CODE Plaza Assist S Trap Suite J2031.J2201SNB

The Plaza Assist Suite comprises the Plaza Assist S Trap Pan with a flush pipe connection to the Plaza Assist Wall Mounted Cistern.

Designed to be in compliance with AS1428.1 the suite can be installed in Special Needs configuration or in Ambulant configuration (pan projection, toilet seat and flush button requirements are different see Table and diagrams).

The seat and flush buttons are available in dark colour to aid users with impaired vision.

Assist seat has no lid and has lateral stabilisers.

WELS 4 Star rated with 4.5/3L Dual Flush. Cistern water inlet is on left side of tank - installer changeable to the right.

Floor fixing brackets are provided



INSTALLATION STEPS

Before You Start

- Inspect all components for any transit damage before starting installation. If damaged or faulty do not install, contact your supplier.
- Check site roughing in, water supply position and assembly dimensions before commencing installation.

Fixing the WC Pan

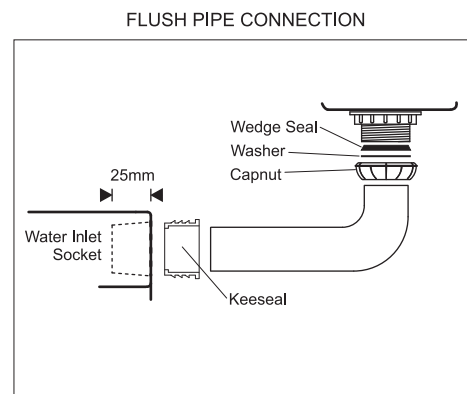
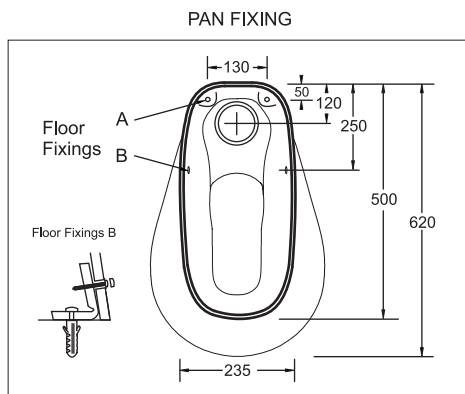
- The WC pan must be installed level with **the front rim of the pan 800±10mm from the wall** to allow wheelchair access
- The WC can be installed by setting in a mortar bed or using provided bracket fixing.
- Fixing brackets are provided. Due to the Special Needs use it is important that both sets of brackets are used to provide secure support. Always use protective plastic bushes with the fixing screws.
- For mortar bedding use a 4:1 sand and standard cement mix (do not use Rapid Hardening or White cement). If the floor is tiled, cut out the tiles beneath the pan to create a good bonding surface.
- When using the fixing bracket a waterproof sealant may be applied to the pan base
- In all installations take care to ensure that the pan connector is correctly sealed to the pan outlet spigot.

Fitting the Cistern

- Fit the cistern to the wall using the wall screws/plugs. The cistern should be fixed so that the **top of the flush buttons are <1100mm above the floor.**
- Check that the inlet and outlet valve securing nuts are firmly tightened to prevent leaks. Do not over-tighten.
- Cut the flush pipe to suit the installation ensuring that it extends 25mm into the water inlet socket of the WC.
- Assemble the Keeseal, Capnut and Washer and Wedge Seal onto the pipe and install.
- Install the seat and adjust the lateral stabilisers to fit (see separate seat instructions).

Water Connection

- **Always flush the water supply pipes** before connecting the cistern inlet valve. Fill the cistern, and check the water level against the 4.5L fill line. Test flush while observing for leaks.



INSTALLATION INSTRUCTIONS

PLAZA ASSIST TOILET SUITE

PRODUCT CODE Plaza Assist S Trap Suite J2031.J2201SNB

Special Installation Note

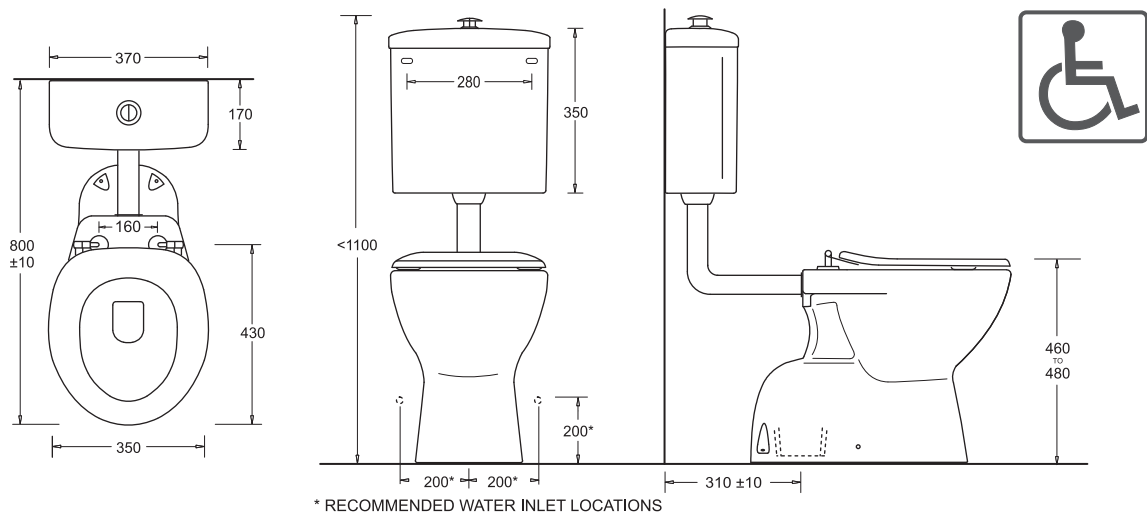
The Plaza Assist Special Needs Suite is designed to comply with AS1428.1(2009) -Design for access and mobility.

It is a requirement that the complete sanitary facility installation adheres to this Standard - specified circulation clearances, grab-rails, back rest and other accessories must be in compliance.

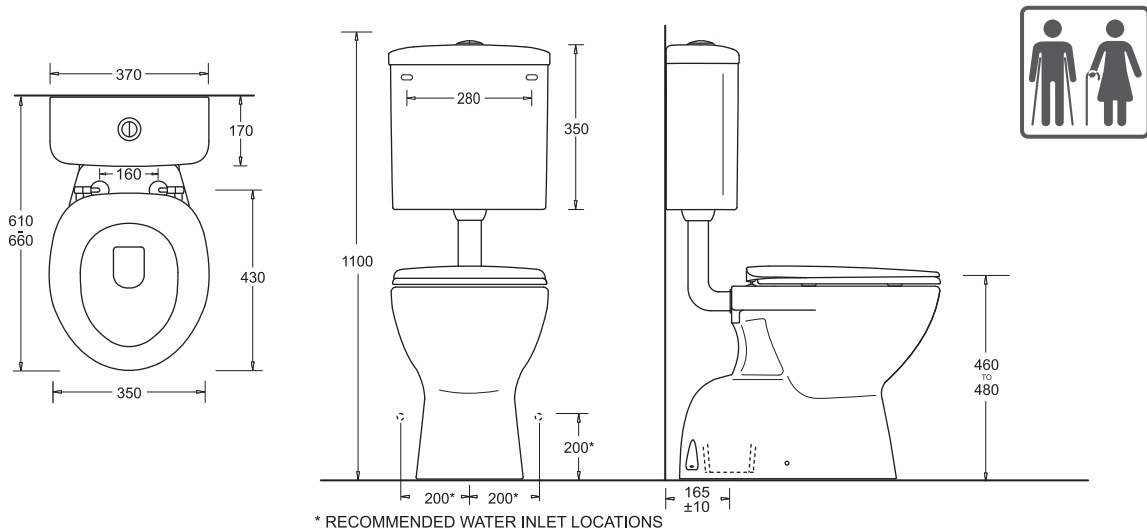
Always refer to the above Standard before commencing installation

	Pan projection from wall mm	Height to top of seat mm	Special raised flush button	Special seat design - Single flap - Lateral stabilisers - Colour contrast
Special Needs	800±10	460-480	Required	Required
Ambulant	610-660	460-480	Not required	Not required

GENERAL DIMENSIONS - SPECIAL NEEDS INSTALLATION - refer to AS1428.1



GENERAL DIMENSIONS - AMBULANT INSTALLATION refer to AS1428.1



VALVE SERVICE

INLET VALVE SERVICE

1. Major water level adjustment

<p>1</p> <p>Remove the body locking clip</p>	<p>2</p> <p>Twist valve body anticlockwise to release. Slide up/down to desired position and twist back to lock.</p>	<p>3</p> <p>Replace the body locking clip</p>
--	--	---

WARNING

DO NOT USE CHLORINE/CHEMICAL SANITISERS IN THE CISTERN TANK. SUCH USE MAY RESULT IN DAMAGE TO TANK COMPONENTS AND WILL VOID THE PRODUCT WARRANTY

2. Minor water level adjustment

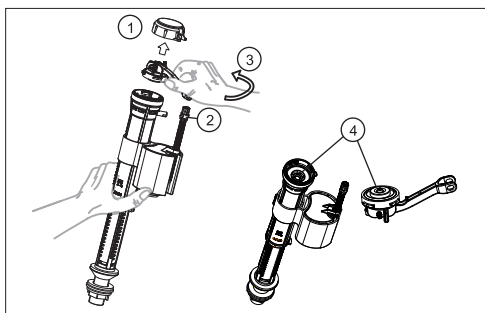
<p>1</p> <p>Unlock the float cup and slide up or down to the new position</p>	<p>2</p> <p>Float adjustment</p> <p>With a screwdriver adjust the float - the top of the float(A) should be 2-4mm below the level of the top of the float cup(B)</p>	<p>3</p> <p>Relock the float cup</p>
---	--	--------------------------------------

3. Cleaning the valve diaphragm

It is possible for dirt/debris to prevent the valve from shutting off.

To remedy this the diaphragm may be cleaned as follows:

1. Remove the cover cap
2. Unclip the float arm from the adjustment screw
3. Twist the plastic top-assembly firmly anti-clockwise and remove it from the valve body
4. Inspect both rubber diaphragm and valve seat. Rinse under running water to remove dirt/debris
5. Re assemble in reverse order



OUTLET VALVE SERVICE

<p>Removal</p> <p>Valve may be removed for service - twist to unlock</p>	<p>Assembly</p> <p>Hoses are not shown on this diagram</p>	<p>Push button rod settings</p> <p>Button rods must be just clear of the valve pads</p> <p>Button rods can be adjusted by screwing up or down</p> <p>Ensure that buttons match valve pads</p>
---	---	--

<p>Half flush adjustment</p> <p>Half flush volume can be adjusted by moving the side float up or down. Moving the float DOWN increases the half flush. Moving the float UP decreases the half flush</p>	<p>Full flush adjustment</p> <p>The full flush volume can be adjusted by changing the residual water level in the cistern. Move the adjuster DOWN to increase the volume. Move the adjuster UP to decrease the volume.</p>
--	---