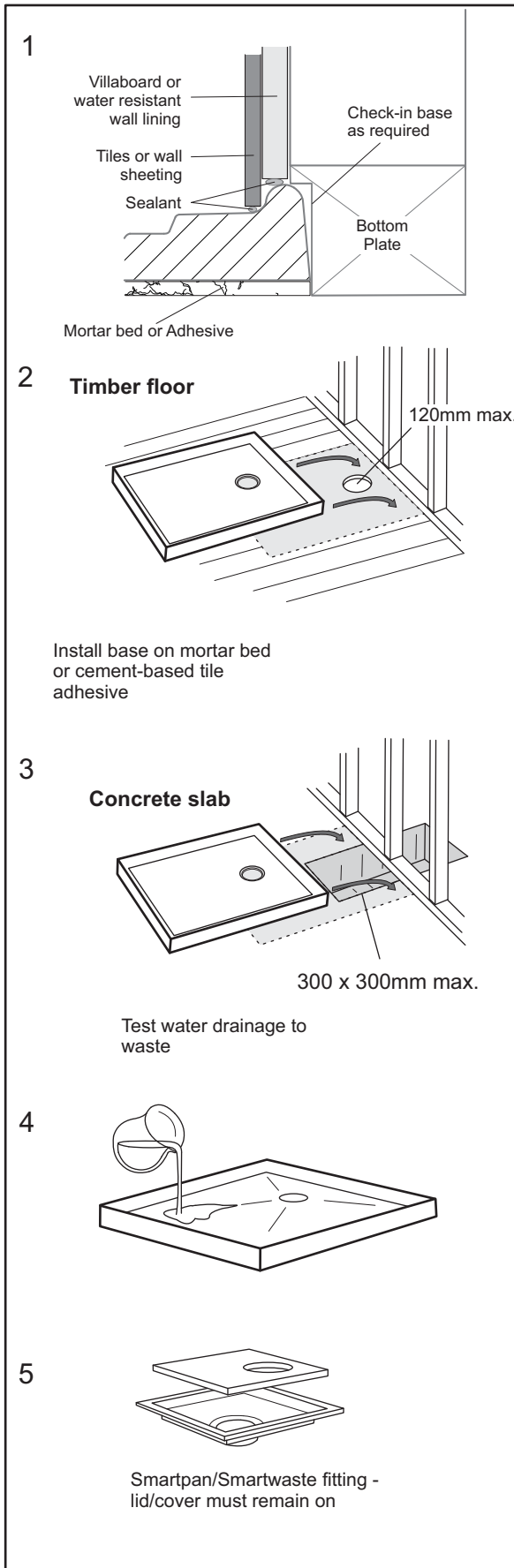


Flinders New

SHOWER BASE INSTALLATION INSTRUCTIONS



A. PRE-INSTALLATION NOTE

It is recommended installation practice to check the edge of the base into the wall by the width of the tiling flange in order to achieve a leak-free junction with the wall cladding material (Diagram 1)

B. TIMBER FLOOR (Diagram 2)

1. Floor boards or sheet flooring must cover the entire underside of the base. Cut a hole for waste no greater than 120 x 120mm.
Note: If renovating, ensure the floor is structurally sound. Replace the floor if necessary.
2. Shower Base to be fixed to floor by spreading cement-based tile adhesive on the floor using a 12mm notched trowel, or by use of silicone sealant. Alternatively, where the floor is not perfectly level, the base can be set into a mortar bed - spread a 10mm thick mortar bed of 4:1 Washed Sand: Spread the mortar over the whole area where base is to be installed then trowel off level.
⚠ Do not use 'Liquid Nails' or similar rigid construction-type adhesive to install base.
3. Lay the shower base on the prepared bed and use a spirit level to adjust the base to ensure it is level along all sides and diagonally. This will allow the base to drain properly as it has an inbuilt fall to the waste outlet.
4. **⚠ At this point it is imperative to check that water drains to the waste outlet prior to lining the shower walls (Diagram 4). Failure to do so is a breach of warranty.**

C. CONCRETE SLAB (Diagram 3)

1. Any boxed opening in the slab to accommodate the waste must not exceed 300mm in width beneath the shower base.
2. Shower Base to be fixed to floor by spreading cement-based tile adhesive on the floor using a 12mm notched trowel, or by use of silicone sealant. Alternatively, where the floor is not perfectly level, the base can be set into a mortar bed - spread a 10mm thick mortar bed of 4:1 Washed Sand: Spread the mortar over the whole area where base is to be installed then trowel off level.
⚠ Do not use 'Liquid Nails' or similar rigid construction-type adhesive to install base.
3. Lay the shower base on the prepared bed and use a spirit level to adjust the base to ensure it is level along all sides and diagonally. This will allow the base to drain properly as it has an inbuilt fall to the waste outlet.
4. **⚠ At this point it is imperative to check that water drains to the waste outlet prior to lining the shower walls (Diagram 4). Failure to do so is a breach of warranty.**
5. Backfill the opening in the slab with a 4:1 Washed Sand: Cement mix ensuring the mortar is packed tightly around the waste outlet and all the way back into the boxed section of the slab and up to the underside of the base to give maximum support.
Note: Where required by regulation plastic pipe and fittings may need to be lagged prior to backfilling.

D. SMARTPAN/SMARTWASTE

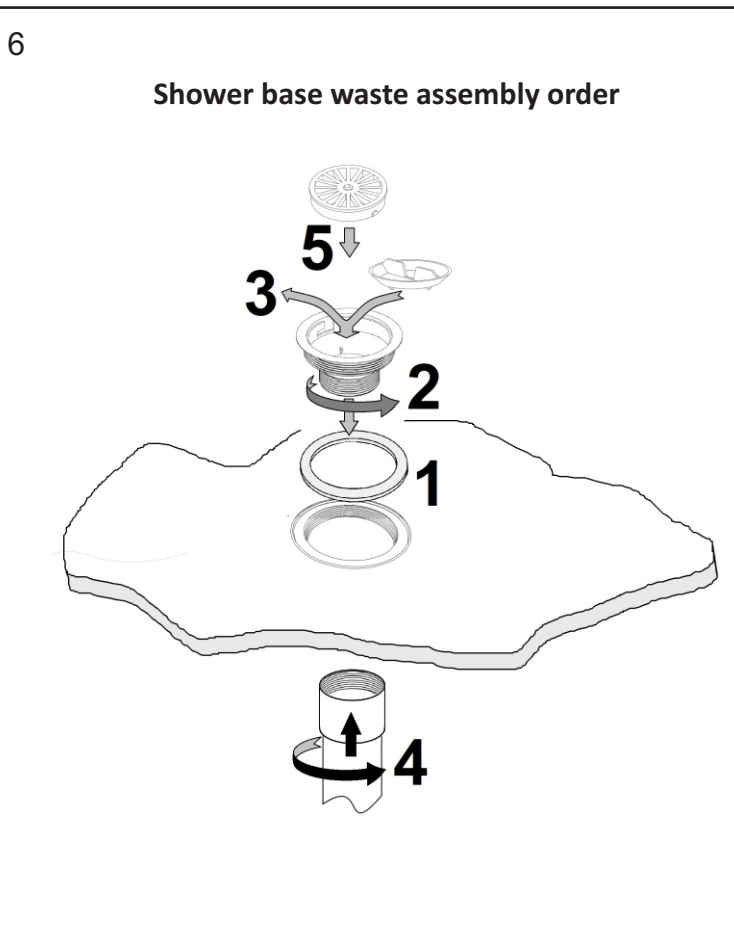
When the installa on uses these products as the waste collectors, ensure that the lid/cover is fitted, to provide adequate support for the base (Diagram 5). Cut a hole in the lid/cover the same size as the waste.

E. SHOWER BASE WASTE

Install the shower waste as shown in Diagram 6 (overleaf)

Flinders New

SHOWER BASE INSTALLATION INSTRUCTIONS



CLEANING

The surface of this base will resist surface build-up. However to preserve its high lustre it may be cleaned with a soft cloth using warm soapy water or mild household detergent.

Do not use any form of abrasive cleaner.

If accidental abrasion occurs the surface sheen can be restored by polishing with a silicone based polish.

WARRANTY

Bathroom Products Australia's shower bases are made of solid synthetic polymarble.

Shower bases are guaranteed for 12 years against faulty materials or workmanship, subject to warranty terms and conditions.

Warning: Guarantee will be void if:

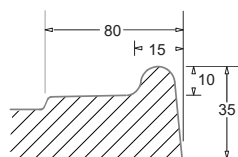
- the installation instructions are not adhered to
- the base is subjected to water at a temperature exceeding 55°C

STORAGE

Shower bases can distort if not stored correctly.

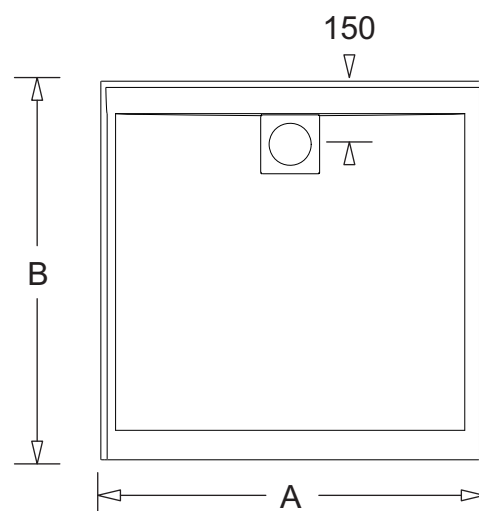
If not installed immediately the base must be stored flat, top side up and not leaning on the waste outlet. Do not place objects on the base during storage. Distortion due to incorrect storage is not covered by warranty.

The Flinders New is a 2 or 3 sided, low profile shower base with a rear outlet. This model is available in White



Edge profile

Size	A	B
900x900	900	900
1200x900	1200	900



For further information, service or warranty enquiries please contact:

Bathroom Products Australia Pty Ltd
 PO Box 728 Botany NSW 1455
 Tel: 1300 717 717
 Fax: 1300 746 480

Plumbers, please ensure a copy of the Installation Instructions are left with the end user for future reference