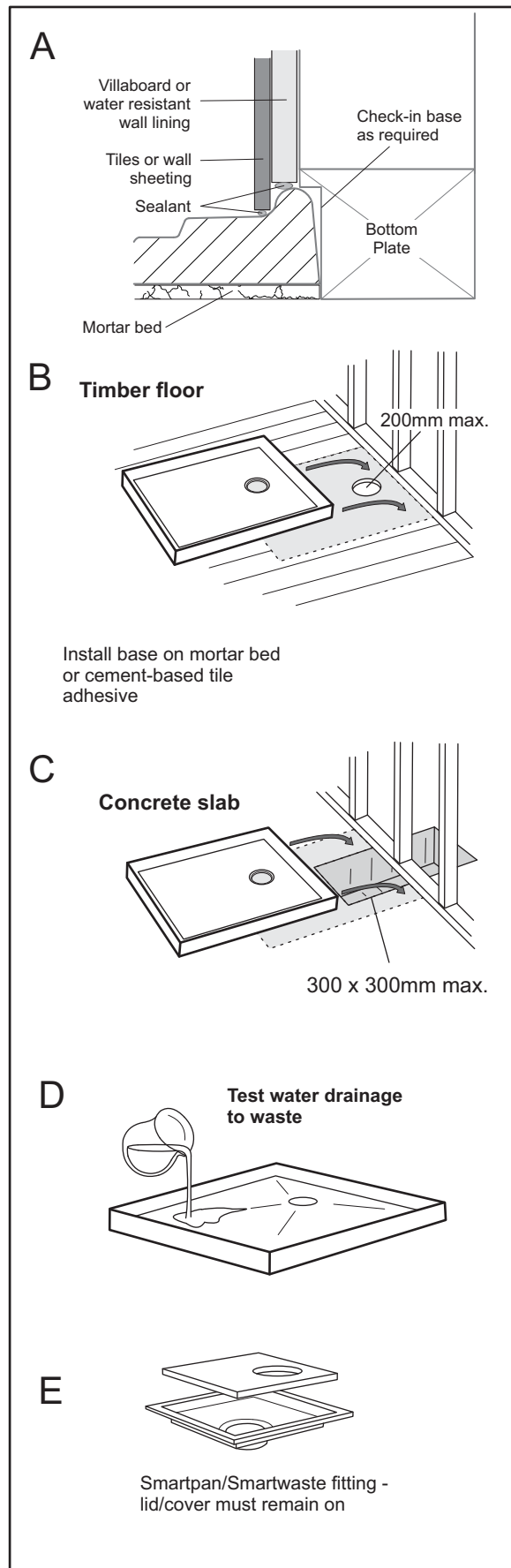


FLINDERS POLYMARBLE SHOWER BASE

INSTALLATION GUIDELINES



A. PRE-INSTALLATION NOTE

It is recommended installation practice to check the edge of the base into the wall by the width of the tiling flange in order to achieve a leak-free junction with the wall cladding material (see diagram 'A')

B. TIMBER FLOOR

1. Floor boards or sheet flooring must cover the entire underside of the base. Cut a hole for waste no greater than 200 x 200mm.
Note: If renovating, ensure the floor is structurally sound. Replace the floor if necessary.
2. Spread a 10mm min. thick mortar bed of 4:1 Washed Sand: Cement over the area where base is to be installed then trowel off level. Alternatively spread a cement-based tile adhesive on the floor using a 12mm notched trowel. Ensure the total base area is fully supported.
Do not use silicone and/or liquid nails type adhesive to install base.
3. Lay the shower base on the prepared bed and use a spirit level to ensure the base is level both side to side and front to rear. This will allow the base to drain properly as it has an inbuilt fall to the waste outlet.
4. **At this point it is imperative to check that water drains to the waste outlet prior to lining the shower walls. Failure to do so is a breach of warranty.** (see diagram 'D')

C. CONCRETE SLAB

1. Any boxed opening in the slab to accommodate the waste must not exceed 300mm in width beneath the shower base.
2. Spread a 10mm min. thick mortar bed of 4:1 Washed Sand: Cement over the area where base is to be installed then trowel off level. Alternatively spread a cement-based tile adhesive on the floor using a 12mm notched trowel. Ensure the total base area is fully supported.
Do not use silicone and/or liquid nails type adhesive to install base.
3. Lay the shower base on the prepared bed and use a spirit level to ensure the base is level both side to side and front to rear. This will allow the base to drain properly as it has an inbuilt fall to the waste outlet.
4. **At this point it is imperative to check that water drains to the waste outlet prior to lining the shower walls. Failure to do so is a breach of warranty.** (see diagram 'D')
5. Backfill the opening in the slab with a 4:1 Washed Sand: Cement mix ensuring the mortar is packed tightly around the waste outlet and all the way back into the boxed section of the slab and up to the underside of the base to give maximum support.
Note: Where required by regulation plastic pipe and fittings may need to be lagged prior to backfilling.

D. SMARTPAN/SMARTWASTE

When the installation uses these products as the waste collectors keep the lid/cover on the fitting to provide adequate support for the base.

FLINDERS POLYMARBLE SHOWER BASE

INSTALLATION GUIDELINES (cont'd)

E. CLEANING

The surface of this base will resist surface build-up. However to preserve its high lustre it may be cleaned with a soft cloth using warm soapy water or mild household detergent.

Do not use any form of abrasive cleaner.

If accidental abrasion occurs the surface sheen can be restored by polishing with a silicone based polish.

F. WARRANTY

Bathroom Products Australia's shower bases are made of solid synthetic polymarble.

Please refer to our web site at: www.marbletrend.com.au for the warranty terms and conditions.

Warning: Guarantee will be void if:

- these installation instructions are not adhered to.
- the base is subjected to water at a temperature exceeding 55°C

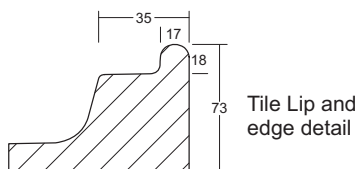
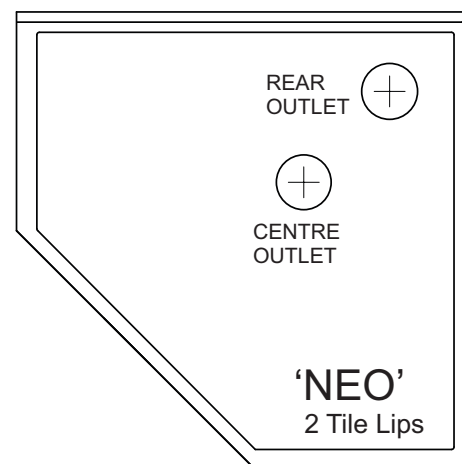
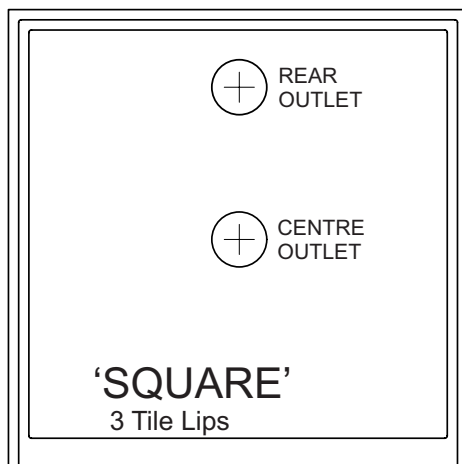
G. STORAGE

Shower bases can distort if not stored correctly.

If not installed immediately the base must be stored flat, top side up and not leaning on the waste outlet.

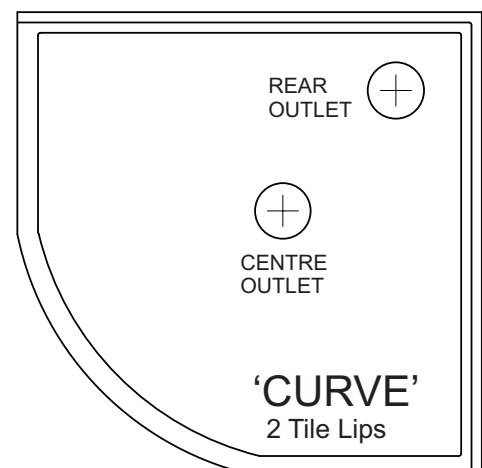
Do not place objects on the base during storage.

Distortion due to incorrect storage is not covered by warranty.



Note: This Shower Base is manufactured in many different sizes and configurations. Please refer to product Data Sheet for more information about sizes and product codes.

*Dimensions are nominal and subject to normal manufacturing variations.



For further information, service or warranty enquiries please contact:

Bathroom Products Australia Pty Ltd
 2/97 Banksia St., Botany, NSW, 2019
 Tel: 1300 717 717
 Fax: 1300 746 480