



marbletrend

G1028A

July 2019

Mode II TOILET SEAT



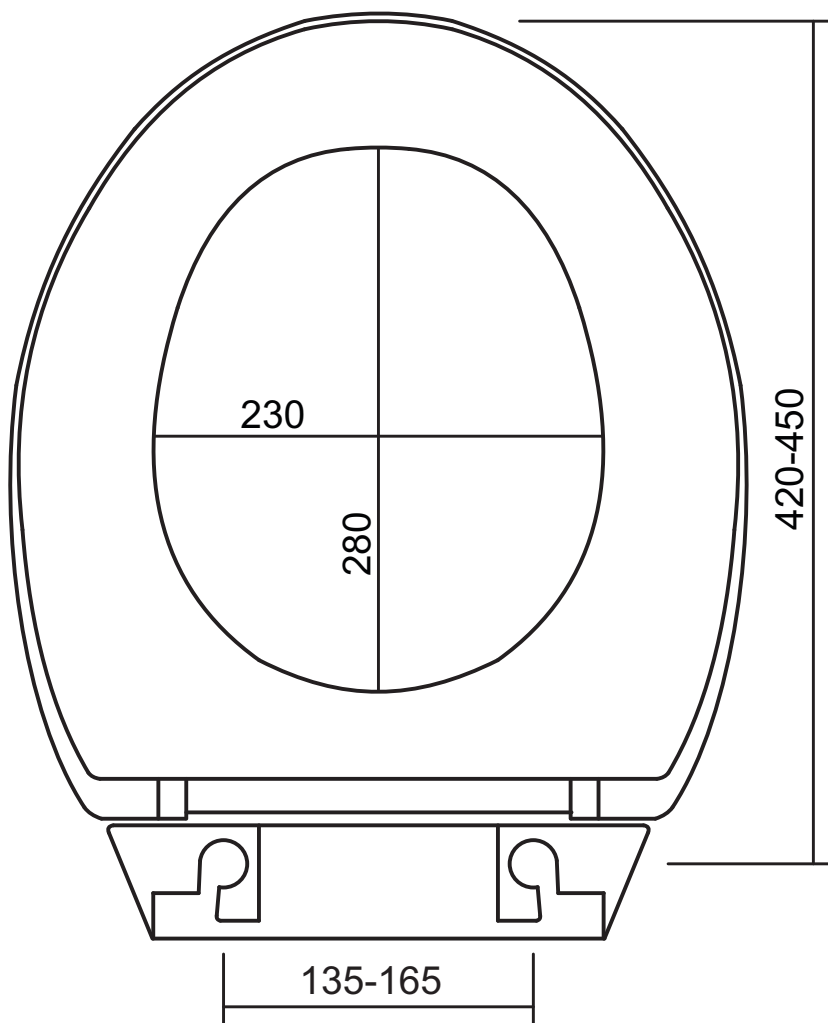
Specifications

Material	Polypropelene
Hinge	Bottom-fix, Bolt type Normal Close, Anti-Vandal option

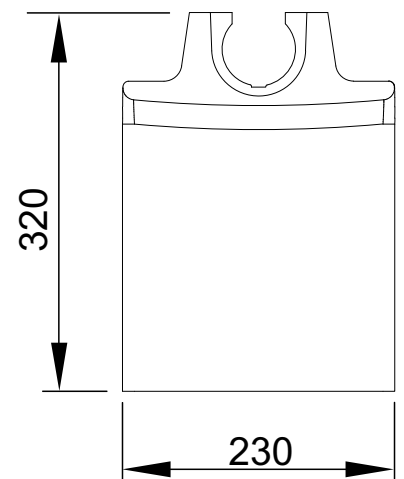
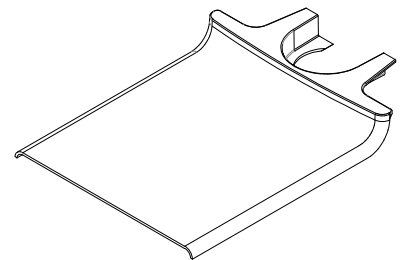
Compatibility

Mode pans

- J2000A
- J2001A
- J2030A
- J2031



matching link
X0255



All dimensions are in millimetres and are subject to normal manufacturing variation.
As product development is ongoing BPA reserves the right to vary specifications without notice.
Bathroom Products Australia P/L ABN 87 079 297 617

Tel: 1300 717 717
Fax: 1300 746 480
www.marbletrend.com.au