

mode II

multi-fit toilet seat

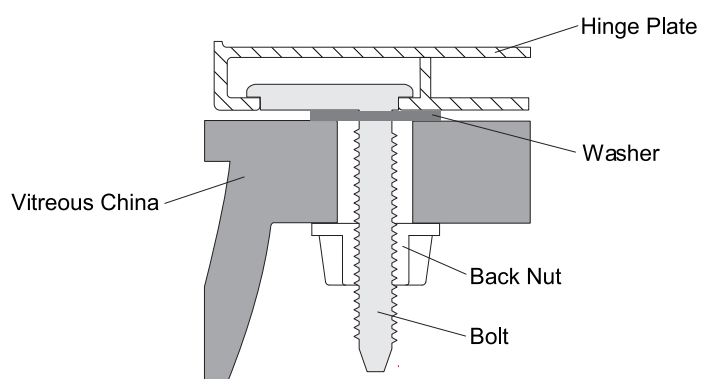


marbletrend

Code G1028A

ASSEMBLY

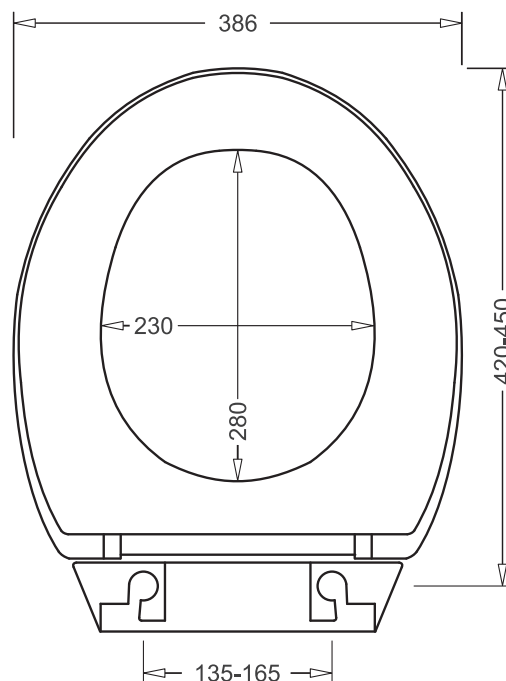
1. Remove old seat and thoroughly clean WC around the seat bolt holes
2. Fit the seat bolts and washers to the seat as shown



3. Fit the bolts into the WC seat bolt holes and adjust the seat to fit the bowl rim
4. Firmly hand-tighten the seat bolt nuts

CLEANING

- Clean only with a soft cloth using mild soapy water.
- Do not use solvent based cleaning chemicals
- Do not use harsh or abrasive cleansers



MANUFACTURED IN INDIA FOR:

BATHROOM PRODUCTS AUSTRALIA P/L

ABN 87 079 297 617

2/97 BANKSIA ST
BOTANY, NSW 2019

T 1300 717 717

F 1300 746 480

www.marbletrend.com.au