

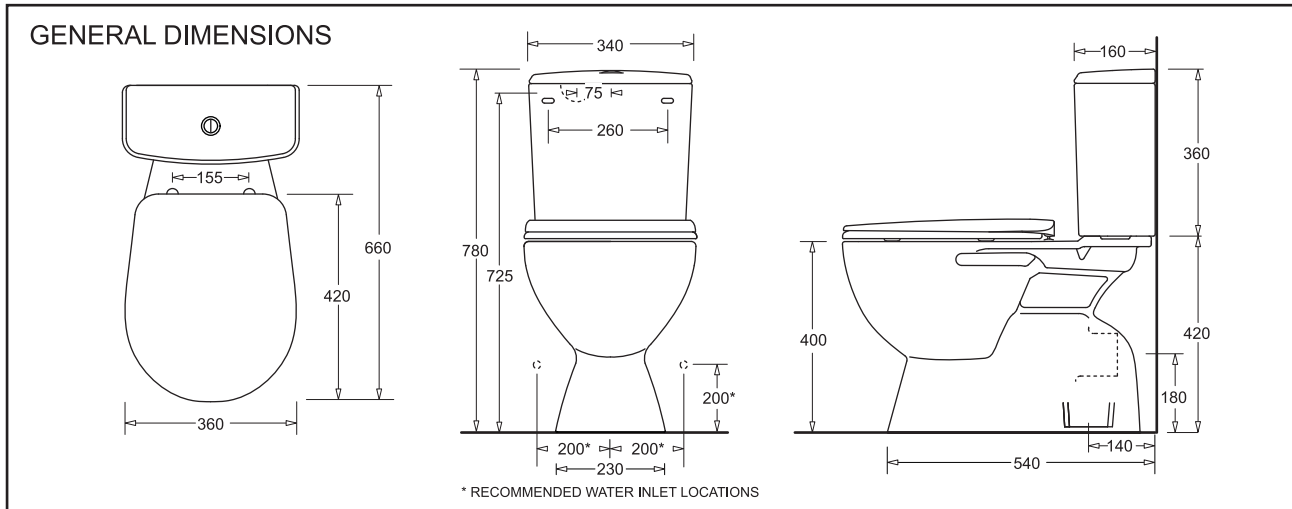
# INSTALLATION INSTRUCTIONS

## MILANO CLOSE COUPLED TOILET SUITES



**PRODUCT** Milano S Trap Close Coupled Suite J1424  
**CODES:** Milano P Trap Close Coupled Suite J1425

The Milano CC suites are WELS 4 Star rated with 4.5/3L Dual Flush  
 Cistern water inlet is on right side of tank - installer changeable to the left



### INSTALLATION STEPS

#### Before You Start

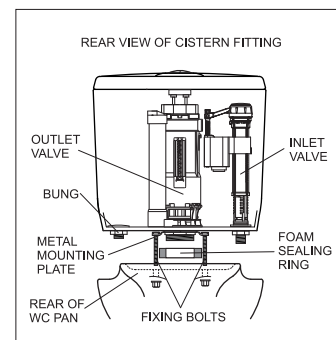
- Inspect all components for any transit damage before starting installation. If damaged or faulty do not install, contact your supplier.
- Check site roughing in, water supply position and assembly dimensions before commencing installation.

#### Fixing the WC Pan

- Always check the installation of the suite with the cistern fitted before permanently fixing down. The WC pan must be installed level with the cistern flush against the wall.
- The WC can be installed by setting in a mortar bed or using screw fixings.(fixings not supplied)
- For mortar bedding use a 4:1 sand and standard cement mix (do not use Rapid Hardening or White cement). If the floor is tiled, cut out the tiles beneath the pan to create a good bonding surface.
- When using fixing screws a waterproof sealant may be applied to the pan base before locating it in the correct position. Always use protective plastic bushes with the fixing screws. Do not over-tighten the screws.
- In all installations take care to ensure that the pan connector is correctly sealed to the pan outlet spigot.

#### Fitting the Cistern

- Remove the cistern lid and turn the cistern upside down and check that the inlet and outlet valve securing nuts are firmly tightened to prevent leaks-do not over-tighten.
- Fit the foam sealing ring evenly over the flush valve outlet.
- Fit the two fixing bolts to the slots in the metal mounting plate on the underside of the cistern tank.
- Lower the cistern carefully into position on the WC pan locating the bolts through the holes at the back of the pan. Check that the foam seal is seated correctly. Tighten the fixing nuts evenly by hand until the cistern is firmly mounted and level on the WC pan.



#### Water Connection

- **Always flush the water supply pipes** before connecting the cistern inlet valve. If using 15mm copper pipe for connection ensure that this is inserted less than 9mm into the inlet valve socket otherwise the water flow rate may be restricted.
- Fill the cistern, and check the water level, if necessary adjust to the 4.5L fill mark on the back wall of the cistern.
- Attach the cistern lid and button assembly and test flush several times while checking for leaks at the pan connector and the cistern/pan connection.
- Fit the seat

All installations should be carried out by a licensed plumber in compliance with the Plumbing Code of Australia and any State or Local Authority Regulations

# VALVE SERVICE



## INLET VALVE SERVICE

### 1. Major water level adjustment

<p>1</p> <p>Valve body Body locking clip Inlet pipe</p> <p>Remove the body locking clip</p>	<p>2</p> <p>Twist valve body anticlockwise to release. Slide up/down to desired position and twist back to lock.</p>	<p>3</p> <p>Replace the body locking clip</p>
-----------------------------------------------------------------------------------------------------	--------------------------------------------------------------------------------------------------------------------------	-----------------------------------------------

**WARNING**

DO NOT USE CHLORINE/CHEMICAL SANITISERS IN THE CISTERN TANK. SUCH USE MAY RESULT IN DAMAGE TO TANK COMPONENTS AND WILL VOID THE PRODUCT WARRANTY

### 2. Minor water level adjustment

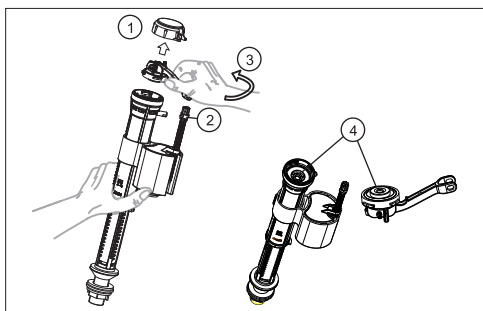
<p>1</p> <p>Float cup lock</p> <p>Unlock the float cup and slide up or down to the new position</p>	<p>2</p> <p>Float adjustment</p> <p>Float Adjustment screw A B Float cup</p> <p>With a screwdriver adjust the float - the top of the float(A) should be 2-4mm below the level of the top of the float cup(B)</p>	<p>3</p> <p>Relock the float cup</p>
-----------------------------------------------------------------------------------------------------	------------------------------------------------------------------------------------------------------------------------------------------------------------------------------------------------------------------------------	--------------------------------------

### 3. Cleaning the valve diaphragm

It is possible for dirt/debris to prevent the valve from shutting off.

To remedy this the diaphragm may be cleaned as follows:

1. Remove the cover cap
2. Unclip the float arm from the adjustment screw
3. Twist the plastic top-assembly firmly anti-clockwise and remove it from the valve body
4. Inspect both rubber diaphragm and valve seat. Rinse under running water to remove dirt/debris
5. Re assemble in reverse order



## OUTLET VALVE SERVICE

<p><b>Removal</b></p> <p>Valve may be removed for service - twist to unlock</p>	<p><b>Assembly</b></p> <p>Hoses are not shown on this diagram</p>	<p><b>Push button rod settings</b></p> <p>Button rods must be just clear of the valve pads</p> <p>Button rods can be adjusted by screwing up or down</p> <p>Ensure that buttons match valve pads</p> <p>Half flush Full flush</p>
---------------------------------------------------------------------------------	-------------------------------------------------------------------	-----------------------------------------------------------------------------------------------------------------------------------------------------------------------------------------------------------------------------------

<p><b>Half flush adjustment</b></p> <p>Half flush volume can be adjusted by moving the side float up or down. Moving the float DOWN increases the half flush Moving the float UP decreases the half flush</p>	<p><b>Full flush adjustment</b></p> <p>The full flush volume can be adjusted by changing the residual water level in the cistern. Move the adjuster DOWN to increase the volume. Move the adjuster UP to decrease the volume.</p>
-----------------------------------------------------------------------------------------------------------------------------------------------------------------------------------------------------------------------	-------------------------------------------------------------------------------------------------------------------------------------------------------------------------------------------------------------------------------------------