

# OVERHEAD SHOWER

## Installation Guide

---

### Important Installation Considerations

- NOTE: Some showers may not provide an effective shower when used with gravity fed heated water systems or where pressures are less than 150kPa at the outlet. Additionally showers with flow rates of less than 9L/min may not allow the following to function correctly:
  - \_ some instantaneous water heaters
  - \_ some tempering valves
  - \_ some thermostatic mixing valves
- Some shower heads only operate correctly when hot and cold water supplies are both mains pressure and may not be suitable for some instantaneous hot water services.
- When water pressure is in excess of 500kPa a pressure limiting device is required in accordance with AS/NZS 3500 1.12 recommendation

---

Methven warrants this product against manufacturing defects and that it is suitable for use under the general operating conditions specified in this instruction sheet. However, regional regulations apply and may affect your warranty. Please refer to customer service for full details.

New Zealand  
0800 804 222

Australia  
1300 638 483

UK  
0800 195 1602

98-0321

ISSUE A  
DECEMBER 2015

### Technical Specifications:

#### Operating Pressure:

Min: 150kPa/1.5bar  
Max: 500kPa/5.0bar\*  
Optimum: 150kPa/1.5bar - 500kPa/5bar

Recommended installation of pressure limiting valve if supply exceeds 500kPa

#### Operating Temperature:

Hot: Max 80°C\*  
Cold: Min 5°C

#### Inlet Connections:

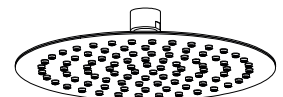
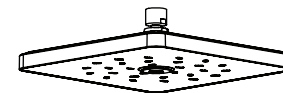
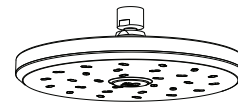
All ½" BSP

#### NOTE:

- After installation all connections must be checked for leaks
- All installations must be carried out in compliance with relevant water regulations\*.

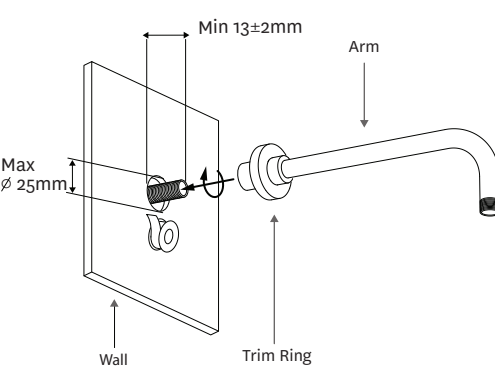
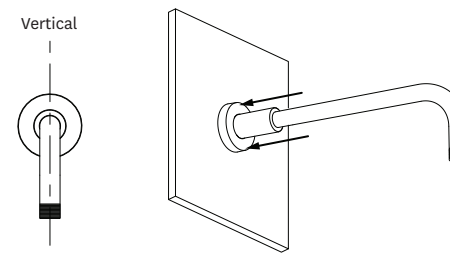
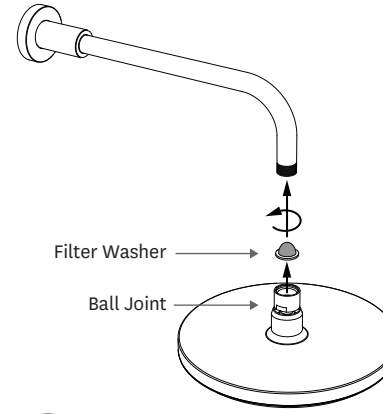
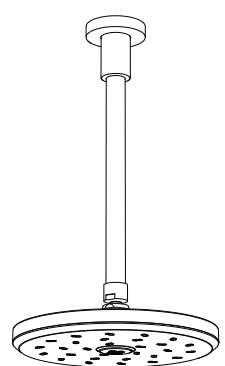
\* Regional specific regulations apply.

Please refer to your warranty statement at [www.methven.com](http://www.methven.com)



**METHVEN**  
[www.methven.com](http://www.methven.com)

NOTE - If assembling a showerhead to a pre-existing arm skip to step 3

<p><b>1.</b> FOR WALL ARM - RECOMMENDED MINIMUM HEIGHT 2100mm FROM FLOOR LEVEL</p>  <p>Slide chrome trim ring onto the appropriate end of the arm. Ensure that a minimum of 13±2mm of 1/2" connection thread protrudes past the finished wall. Simply screw the arm onto the connection. Correct water proofing must be applied.</p>	<p><b>2.</b></p>  <p>Position the arm vertically and push trim ring into place. Use wrenching flats to tighten. DO NOT USE ARM TO LEVER</p>	<p><b>3.</b></p>  <p>Remove the protective cap from the showerhead ball joint and screw the unit onto the overhead arm ensuring the filter washer is in place.</p>	<p><b>4.</b></p>  <p>For ceiling instruction follow same procedures.</p>
--	---	---	---

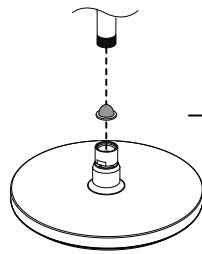
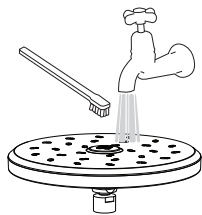
### Care and Cleaning:

Water contains lime which remains on the surface after the water has evaporated. These lime deposits can be prevented from forming by wiping immediately after use.

To clean the chrome-plated surfaces use a soft cloth, soap and warm water. Never use cleaning agents that contain a corrosive acid or a scouring additive.



Do not use any sharp objects to clean nozzles



Clean filter washer periodically.

