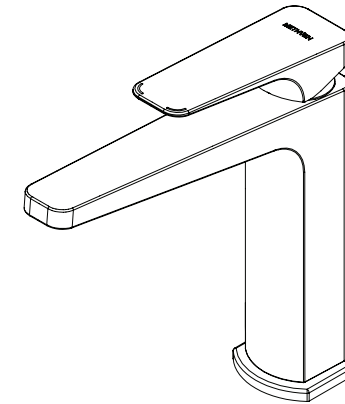


Waipori Swivel Sink Mixer

01-8222



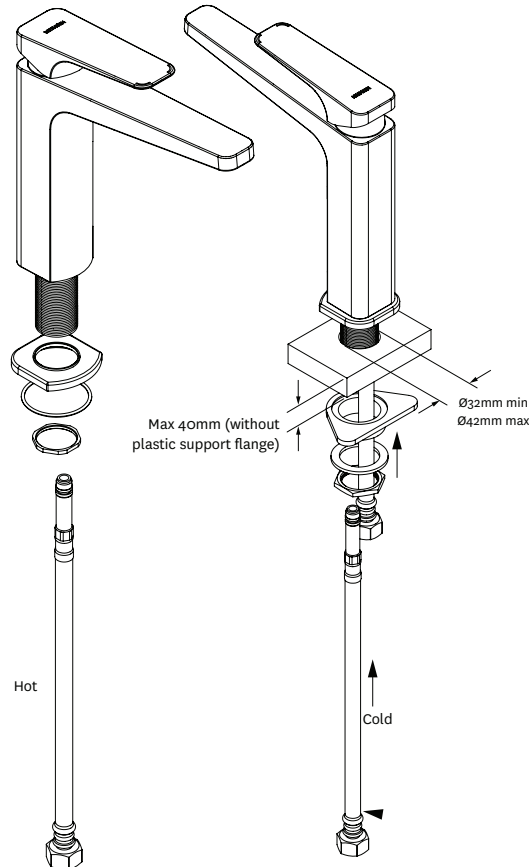
Installation Guide

Installation

Tip: Install product on bench before connecting second hose to mixer.

1. Cut a single 35mm diameter hole into the mounting surface. The mounting surface can be a maximum of 40mm thick.
2. Insert o-ring into the groove in the bottom of the base ring and fit the base ring to the bottom of the mixer.
3. Feed the mixer's threaded fastening tube through the hole cut in the mounting surface.
4. Position the mixer where required and fit the rubber washer and triangular spacer over the threaded fastening tube. Tighten in place using the tube spanner (from under the mounting surface).
5. Insert the flexible hoses through the hole in the mounting surface (from the underside) and screw them into the base of the mixer.
6. Connect the flexible hoses to the hot and cold supplies (hot on the left, cold on the right).

Note: It is a condition of Methven's warranty that the inline filter washers supplied are fitted during this connection.



IMPORTANT

Please read all of the instructions before installation

Use of this product is recommended for domestic and commercial applications. Domestic and commercial warranty terms and conditions vary. Please refer to the Methven website for full warranty terms and conditions - www.methven.com

All pipework must be thoroughly flushed prior to the installation of the mixer. Inline filter washers must be installed on both hot and cold supplies to prevent foreign particles damaging the ceramic cartridge.

Do not remove the ceramic cartridge from the mixer when installing. Damage caused by hydrostatic testing is not covered by Methven's warranty.

Methven recommends a licensed plumber carry out all installations in compliance with the requirements of AS/NZS 3500. This product complies with AS/NZS 3718 regulations.



AUG 2016

MA018222

Methven Australia Pty Ltd

ABN 15 104 813 390
Melbourne, Australia
www.methven.com

www.methven.com

Customer Care Hotline: 1300 METHVEN (638 483)
Email: info@au.methven.com

Technical Specification

Inlet Connections: All 1/2" BSP

Operating Pressure: 150kPa - 500kPa

For optimum performance hot and cold water pressures should be equal.

AS/NZS 3500 stipulates a 500kPa maximum operating pressure at any outlet within a building. Where normal pressure exceeds 500kPa, a pressure limiting valve must be installed.

This sink mixer is rated at 7.5l/m. If limited water flow is experienced, locate stream shaper flow restricting device and filter washers and clean away foreign material as required.

Operating Temperature: Recommended hot water supply 50°C, maximum 70°C. AS/NZS 3500 requires all hot water supplies to any sanitary fitting to be tempered to 50°C.

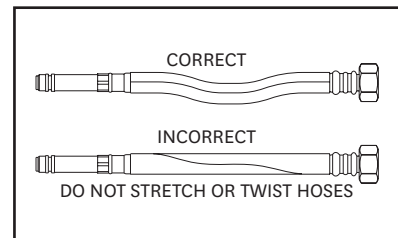
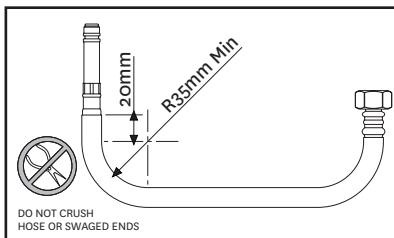
Ceramic cartridges: Warranty claims will be void where the ceramic cartridge has malfunctioned due to the presence of the following within the water supply:

- Copper tube pieces
- Plastic pieces
- Sand, dirt or stones
- Thread tape
- Other objects not normally present in the potable water supplies

Hose Requirement for Mixers

Do not hydrostatic test* the installation with this mixer installed. Damage to the ceramic cartridge may occur, voiding warranty.

*Hydrostatic testing refers to placing the system under pressure, above the recommended operating pressure, to determine water tightness and to uncover leaks or weak joints within the system.



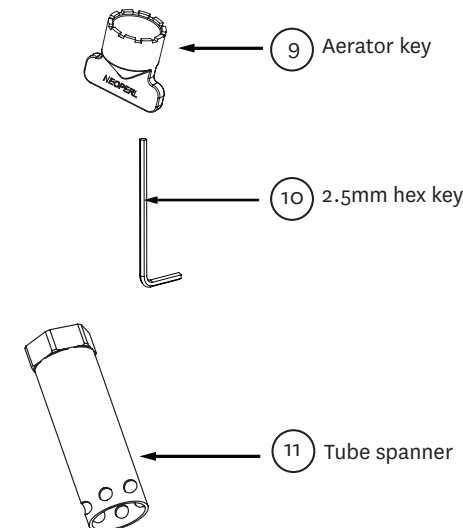
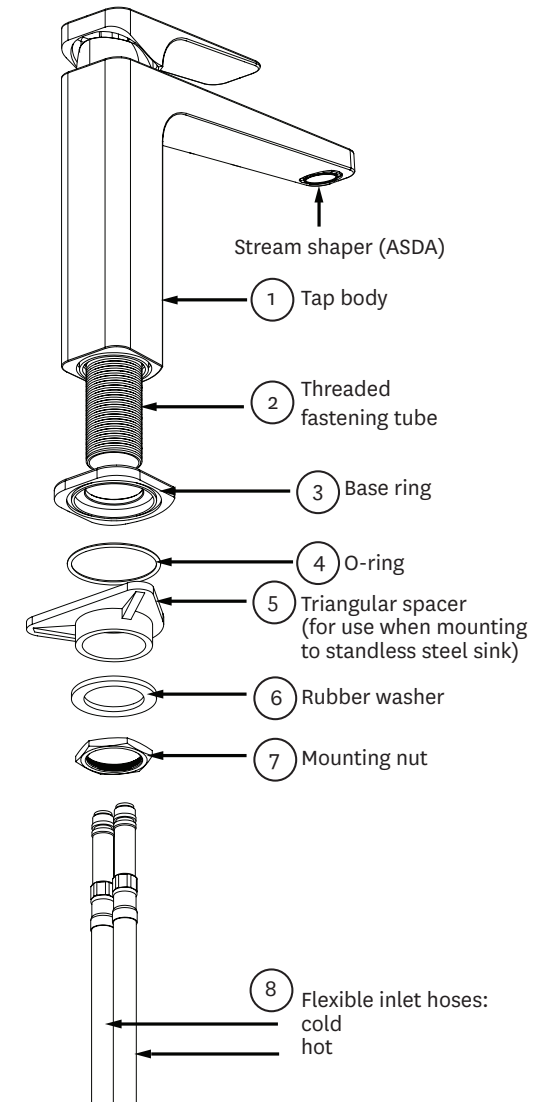
Care and Cleaning

Never use abrasives to clean this product. Clean regularly with contamination free warm soapy water and a damp soft cloth. Damage caused by using unsuitable cleaning agents is not covered by warranty.

Product Components

Please check every component in accordance with the table below

No.	Item description	Qty supplied
1	Tap body	1
2	Threaded fastening tube	1
3	Base ring	1
4	O-ring	1
5	Triangular spacer	1
6	Rubber washer	1
7	Mounting nut	1
8	Flexible inlet hoses	2
9	Aerator key	1
10	2.5mm hex key	1
11	Tube spanner	1



www.methven.com

Customer Care Hotline: 1300 METHVEN (638 483)

Email: info@au.methven.com

THE METHVEN GUARANTEE

The warranty statement shall apply to all tapware & showers supplied by Methven For more information visit www.methven.com

THIS WARRANTY ISSUED BY: Methven Australia Pty Ltd, Melbourne Australia