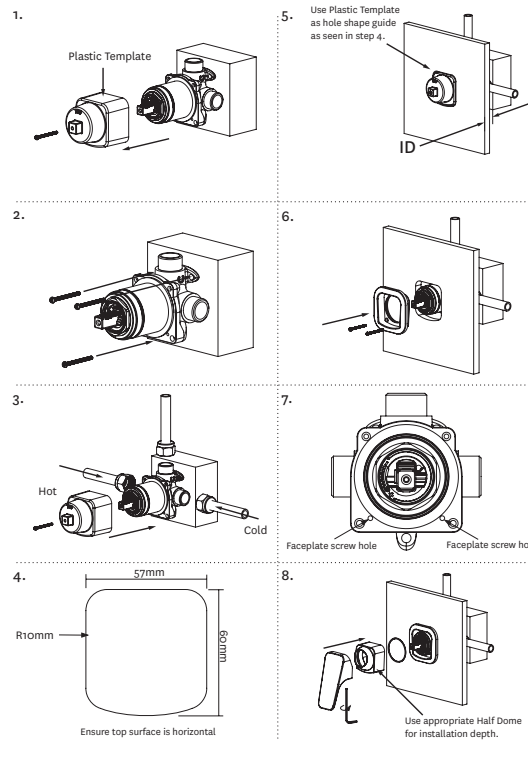


Installation

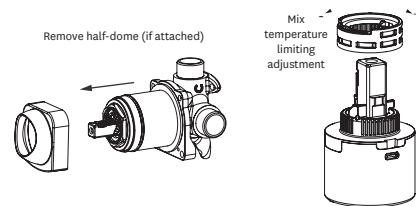
1. Remove the body assembly cover.
2. Screw the body assembly (1) on to the mounting stud positioned to observe installation depth as follows:
Range of Install Depth, **ID** = 54-75 mm
Note: Two sizes of half dome (5 & 6) are supplied.
Long dome (6) for 54-65 mm
Short dome (5) for 65-75mm
3. Connect body assembly (1) into system and replace body assembly cover.
4. Cut hole in lining as pictured.
5. Wall lining e.g. tiles should be finished as close as possible to the plastic template. Remove plastic template prior to next step.
6. Lubricate the o-ring in the faceplate (2). Place faceplate (2) over mixer body and slide firmly over the mixer body until flat on the wall surface. It is recommended that a bead of silicone sealant is applied to the back of the faceplate before fixing to the finished wall surface.
7. Screw the faceplate (2) into the fixing ring using screws (3).
8. Place o-ring (4) and appropriate half dome (5 or 6) over the body assembly (1). Fit handle (7) and fasten grub screw with 2.5mm hex key (8).



Ceramic Cartridge Adjustment

Do not remove the ceramic cartridge from the body while carrying out the following adjustments.

Note: the cartridge is factory set for maximum temperature.



Waipori Shower Mixer

O1-8161



Installation Guide

IMPORTANT

Please read all of the instructions before installation

Use of this product is recommended for domestic and commercial applications. Domestic and commercial warranty terms and conditions vary. Please refer to the Methven website for full warranty terms and conditions - www.methven.com

All pipework must be thoroughly flushed prior to the installation of the mixer. Inline filter washers must be installed on both hot and cold supplies to prevent foreign particles damaging the ceramic cartridge.

Do not remove the ceramic cartridge from the mixer when installing. Damage caused by hydrostatic testing is not covered by Methven's warranty.

Methven recommends a licensed plumber carry out all installations in compliance with the requirements of AS/NZS 3500. This product complies with AS/NZS 3718 regulations.



Technical Specification

| | |
|------------------------|--|
| Inlet Connections: | All 1/2" BSP |
| Operating Pressure: | 150kPa - 500kPa |
| | For optimum performance hot and cold water pressures should be equal. |
| | AS/NZS 3500 stipulates a 500kPa maximum operating pressure at any outlet within a building. Where normal pressure exceeds 500kPa, a pressure limiting valve must be installed. |
| Operating Temperature: | Recommended hot water supply 50°C, maximum 70°C. AS/NZS 3500 requires all hot water supplies to any sanitary fitting to be tempered to 50°C. |
| Ceramic cartridges: | Warranty claims will be void where the ceramic cartridge has malfunctioned due to the presence of the following within the water supply: |
| | Copper tube pieces |
| | Plastic pieces |
| | Sand, dirt or stones |
| | Thread tape |
| | Other objects not normally present in the potable water supplies |

Piping Requirements for Mixers

Avoid restrictive piping, fitting or sharp angled bends when plumbing the mixer

Do not hydrostatic test* the installation with this mixer installed. Damage to the ceramic cartridge may occur, voiding warranty.

*Hydrostatic testing refers to placing the system under pressure, above the recommended operating pressure, to determine water tightness and to uncover leaks or weak joints within the system.

Care and Cleaning

Never use abrasives to clean this product. Clean regularly with contamination free warm soapy water and a damp soft cloth. Damage caused by using unsuitable cleaning agents is not covered by warranty.

Product Components

Please check every component in accordance with the table below

| No. | Item description | Qty supplied |
|-----|------------------------|--------------|
| 1 | Body assembly | 1 |
| 2 | Faceplate | 1 |
| 3 | Screws | 2 |
| 4 | O-ring | 1 |
| 5 | Short half-dome | 1 |
| 6 | Long half-dome | 1 |
| 7 | Handle with grub screw | 1 |
| 8 | Hex Key | 1 |

