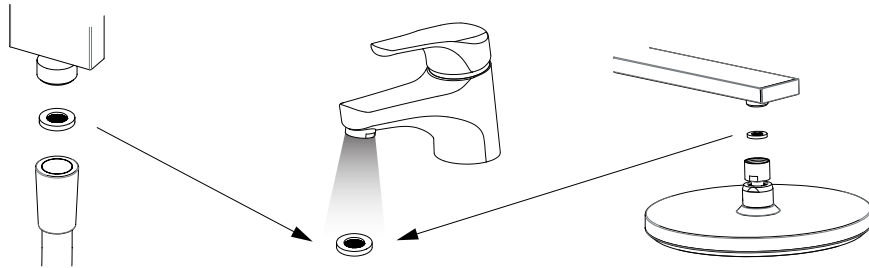


## Care and Cleaning:

Never use abrasives or abrasive cleaning agents to clean this product. Clean regularly with contamination free warm soapy water and a damp soft cloth.

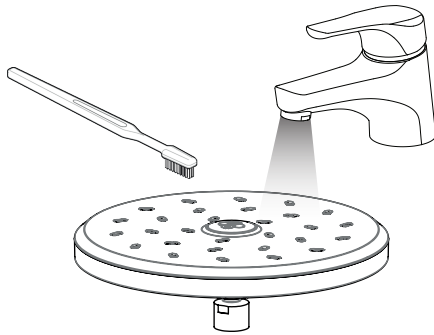
Clean filter washer located in the shower hose and in the shower head periodically.



Lime deposits can be prevented from forming on the faceplate by wiping immediately after use.

If shower performance is compromised by the build-up of lime-scale, soak in limescale remover for up to 10 minutes. Do not attempt to remove limescale with sharp objects or abrasives. Do not use products containing chlorine bleach or hydrochloric acid as these can damage the shower. Always rinse the shower thoroughly after cleaning to remove cleaning products that can damage the shower.

Clean faceplate using a brush with soft bristles. Do not use any sharp objects to clean nozzles.



Methven warrants this product against manufacturing defects and that it is suitable for use under the general operating conditions specified in this instruction sheet. However, regional regulations apply and may affect your warranty. Please refer to [www.methven.com](http://www.methven.com) or call customer service for full details.

New Zealand  
0800 804 222

Australia  
1300 638 483

UK  
0800 195 1602

439921

ISSUE C

# SATINJET® SHOWER SYSTEM

## Installation Guide

### Technical Specifications:

#### Operating Pressure:

Min: 150kPa/1.5bar

Max: 500kPa/5bar\*

#### Operating Temperature:

Hot: Max 70°C\*

Cold: Min 5°C

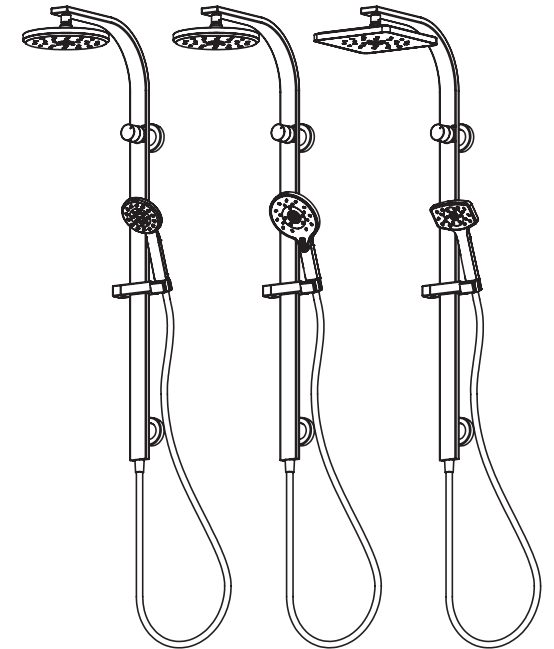
#### Inlet Connections:

All ½" BSP

\* Regional specific regulations apply.

Please refer to your warranty statement at

[www.methven.com](http://www.methven.com)



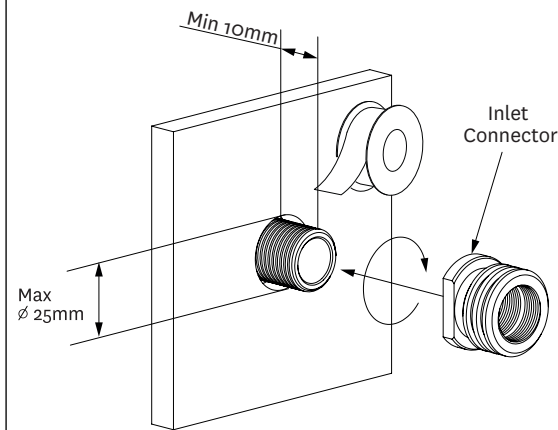
**METHVEN**  
[www.methven.com](http://www.methven.com)

**IMPORTANT:** Please read all of the instructions before installation.

**General:**

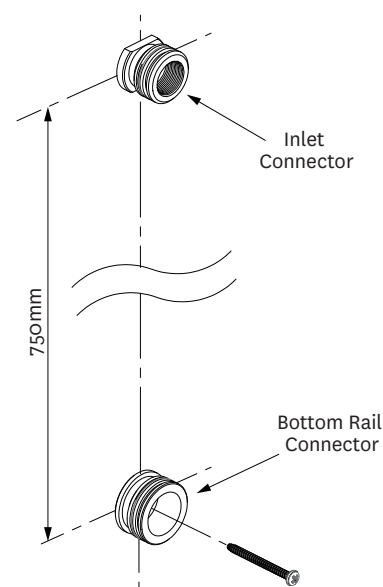
- Methven recommends this product is installed by a licensed plumber in compliance with all relevant regional regulations.
- All pipe work must be thoroughly flushed prior to the installation of the shower.
- After installation all connections must be checked for leaks.
- All outlets used primarily for personal hygiene shall deliver water at a safe temperature as per regional regulations.
- This mixer is not recommended for use in uncontrolled heating systems such as wet-backs or solar heating units unless a suitable tempering valve is fitted.
- If limited water flow is experienced, locate filter washers and clean away foreign material as required.
- It is the responsibility of the installer to ensure a waterproof seal is achieved between the product and mounting surface. If in doubt about the quality of the seal, remove the product and reinstall using silicone to ensure a seal is achieved.
- NOTE: Some showers may not provide an effective shower when used with gravity fed heated water systems or where pressures are less than 150kPa at the outlet. Additionally showers with flow rates of less than 9L/min may not allow the following to function correctly:
  - some instantaneous water heaters
  - some tempering valves
  - some thermostatic mixing valves
- Some shower heads only operate correctly when hot and cold water supplies are both mains pressure and may not be suitable for some instantaneous hot water services.
- When water pressure is in excess of 500kPa, a pressure limiting device is required in accordance with AS/NZS 3500 1.12 recommendation.

**1. WATER INLET: RECOMMENDED MINIMUM HEIGHT OF 1800MM FROM FLOOR LEVEL**



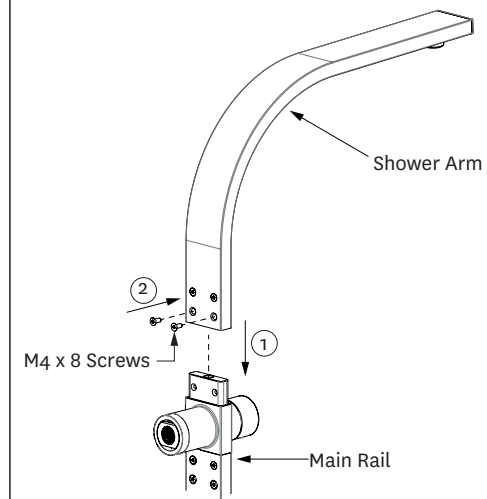
Install a 1/2" male threaded connection at the recommended height on wall, ensuring that a minimum of 10mm of thread protrudes past the finished wall. Apply plumbing tape (or similar) to the 1/2" threaded connection, then screw the inlet connector onto it.

**2.**



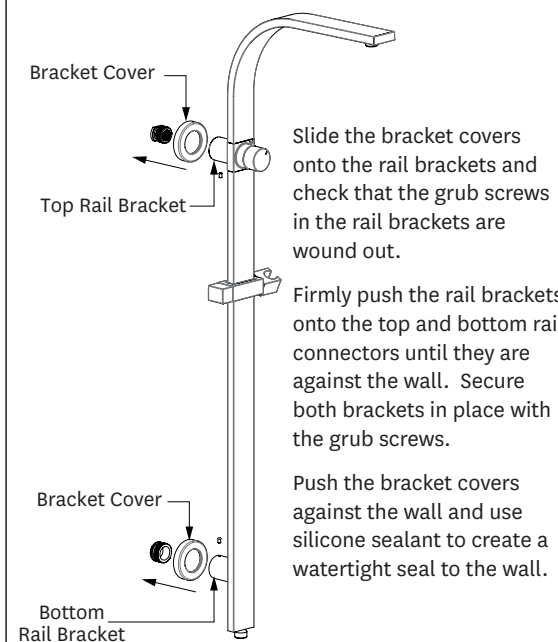
Screw the bottom rail connector to a wall stud vertically in line with the inlet connector and at the correct distance.

**3.**



Assemble the shower arm by sliding it onto the top end of the main rail. Secure the shower arm in place with the screws provided.

**4.**

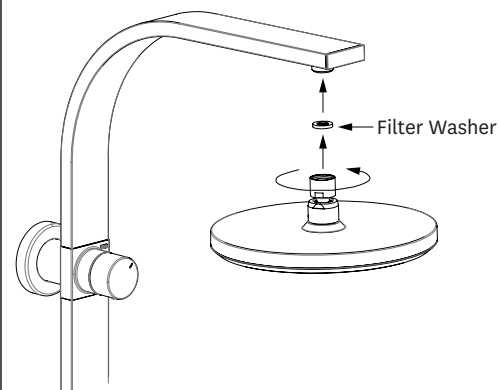


Slide the bracket covers onto the rail brackets and check that the grub screws in the rail brackets are wound out.

Firmly push the rail brackets onto the top and bottom rail connectors until they are against the wall. Secure both brackets in place with the grub screws.

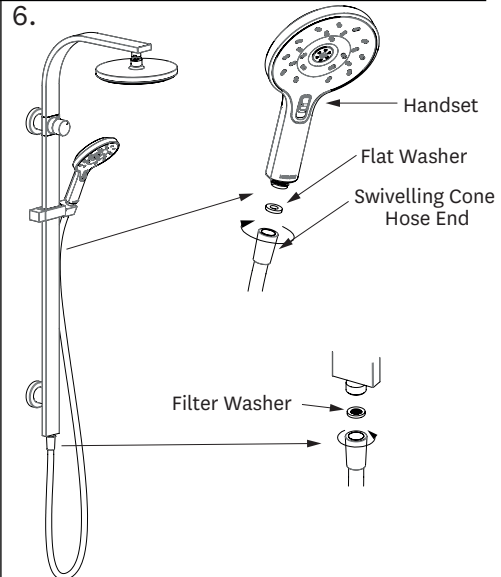
Push the bracket covers against the wall and use silicone sealant to create a watertight seal to the wall.

**5.**



Remove the protective cap from the shower head ball joint and screw the shower head onto the shower arm, ensuring that the filter washer is in place.

**6.**



Make sure a washer is in both ends of the shower hose. Screw one end of the hose to the bottom of the shower rail, attach handset and place firmly in holder.