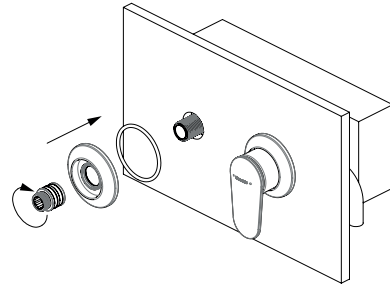


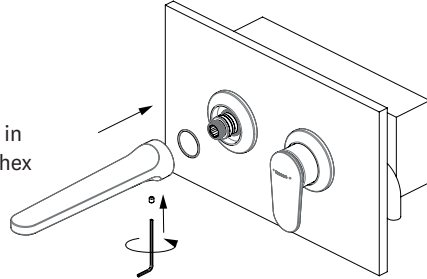
Step 5

- Insert spout faceplate o-ring into the groove in the spout faceplate and position the faceplate over the threaded nipple.
- Secure faceplate in place by screwing the inlet connector onto the nipple.



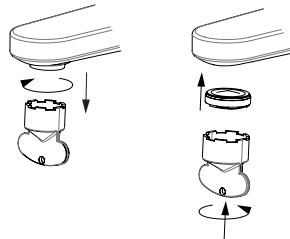
Step 6

- Ensure spout o-ring is located on spout faceplate.
- Push the spout onto the inlet connector and secure in place by tightening the grub screw firmly using the hex key provided.



Bath Installation* (NZ only):

Remove flow restricted (yellow) stream shaper using cache key.
Replace with unrestricted (white) stream shaper.



*Note: Unrestricted stream shaper not included in some regions.

Care and Cleaning:

Never use abrasives or abrasive cleaning agents to clean this product. Clean regularly with contamination free warm soapy water and a damp soft cloth.

Periodically the stream shaper should be removed as shown above and cleaned under running water.

Methven warrants this product against manufacturing defects and that it is suitable for use under the general operating conditions specified in this instruction sheet. However, regional regulations apply and may affect your warranty. Please refer to www.methven.com or call customer service for full details.

New Zealand
0800 804 222

Australia
1300 638 483

UK
0800 195 1602

435932

ISSUE B

AIO WALL MOUNTED MIXER

Installation Guide

Technical Specifications:

Operating Pressure:

Min: 150kPa/1.5bar

Max: 1000kPa/10bar*

Optimum: 150kPa/1.5bar - 500kPa/5bar

Operating Temperature:

Hot: Max 80°C*

Cold: Min 5°C

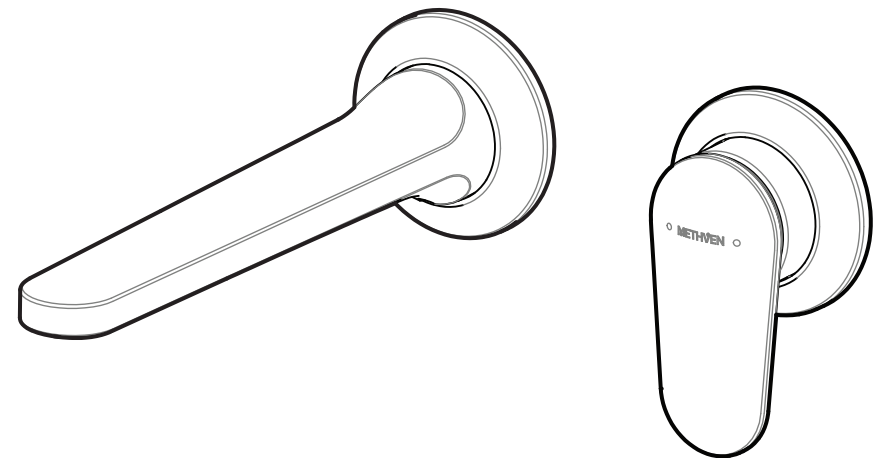
Inlet Connections:

All 1/2" BSP

* Regional specific regulations apply.

Please refer to your warranty statement at

www.methven.com

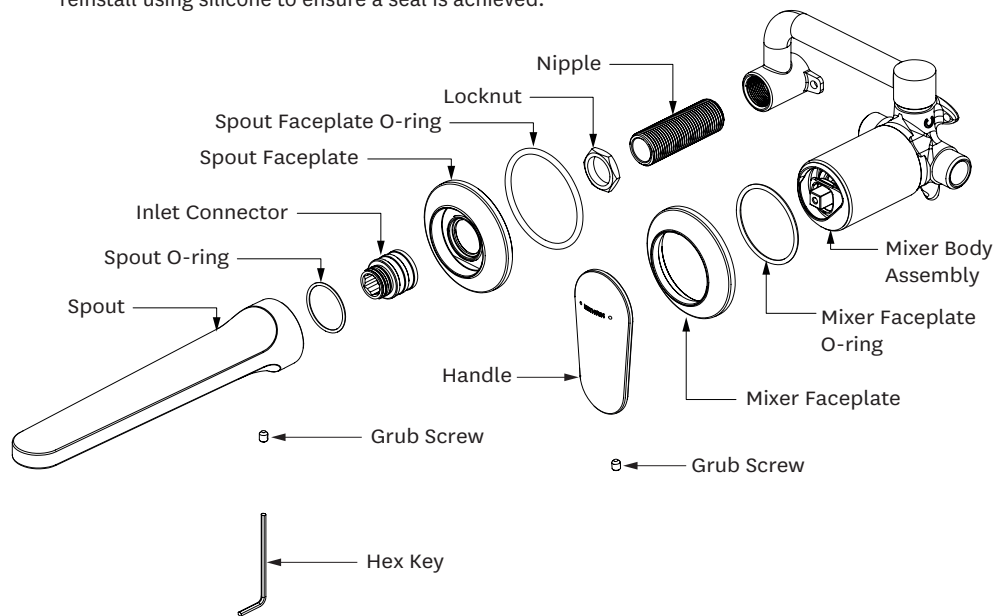


METHVEN
www.methven.com

IMPORTANT: Please read all of the instructions before installation.

General:

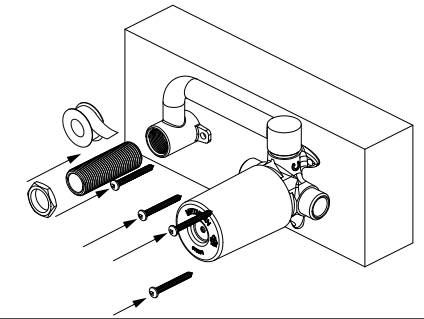
- Methven recommends this product is installed by a licensed plumber in compliance with all relevant regional regulations.
- Do not hydrostatic test the installation with this mixer installed. Damage to the ceramic cartridge may occur.
- All pipe work must be thoroughly flushed prior to the installation of the mixer.
- In-line filters must be fitted on both hot and cold supplies to prevent foreign particles damaging the ceramic cartridge.
- Do not remove the ceramic cartridge from the mixer when installing.
- After installation all connections must be checked for leaks.
- All outlets used primarily for personal hygiene shall deliver water at a safe temperature as per regional regulations.
- This mixer is not recommended for use in uncontrolled heating systems such as wet-backs or solar heating units unless a suitable tempering valve is fitted.
- If limited water flow is experienced, locate stream shaper and clean away foreign material as required.
- It is the responsibility of the installer to ensure a waterproof seal is achieved between the product and mounting surface. If in doubt about the quality of the seal, remove the product and reinstall using silicone to ensure a seal is achieved.



IMPORTANT: Before you begin, turn off the water supply.

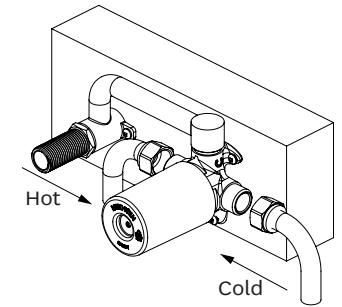
Step 1

- Leave plastic cover in place during the installation.
- Secure the mixer body and the spout elbow to the supporting timber ensuring that it is oriented square and vertical.
- Fit the nipple and locknut to the spout elbow using thread seal tape on the nipple to ensure a good seal.



Step 2

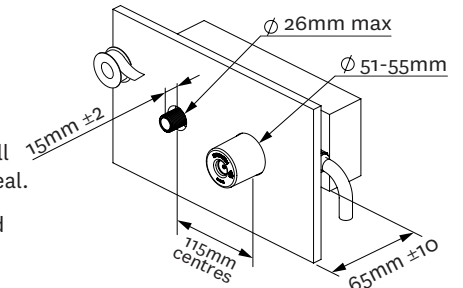
- Flush all pipe-work thoroughly prior to the next step.
- Connect hot and cold supplies to mixer body ensuring a good seal at each joint.
- Leak test installation prior to closing wall cavity.



The seal integrity of pipe joints are the responsibility of the installing plumber.

Step 3

- Wall lining hole should be cut or finished as per the dimensions shown in the diagram on the right.
- Cut off the threaded nipple 15mm±2mm from the wall lining and apply thread seal tape to ensure a good seal.
- Optimum distance from mounting surface to finished wall surface = 65mm ±10



Step 4

- Remove plastic cover.
- Ensure mixer faceplate o-ring is assembled to mixer faceplate.
- Apply silicone to the mixer faceplate to create a seal with the finished wall surface.
- Slide mixer faceplate onto mixer body, and position faceplate with notch towards the bottom.
- Push handle on to cartridge lever, and tighten grub screw firmly with hex key provided.

