

# AIO WALL MOUNTED BATH SPOUT

## Installation Guide

---

### Technical Specifications:

#### Operating Pressure:

Min: 35kPa/0.35bar

Max: 1000kPa/10bar\*

Optimum: 150kPa/1.5bar - 500kPa/5bar

#### Operating Temperature:

Hot: Max 80°C\*

Cold: Min 5°C

#### Inlet Connections:

All ½" BSP

\* Regional specific regulations apply.

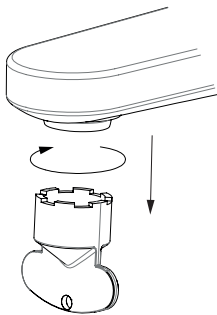
Please refer to your warranty statement at

[www.methven.com](http://www.methven.com)

### Care and Cleaning:

Never use abrasives or abrasive cleaning agents to clean this product. Clean regularly with contamination free warm soapy water and a damp soft cloth.

Periodically the stream shaper should be removed as shown below and cleaned under running water.



---

Methven warrants this product against manufacturing defects and that it is suitable for use under the general operating conditions specified in this instruction sheet. However, regional regulations apply and may affect your warranty. Please refer to [www.methven.com](http://www.methven.com) or call customer service for full details.

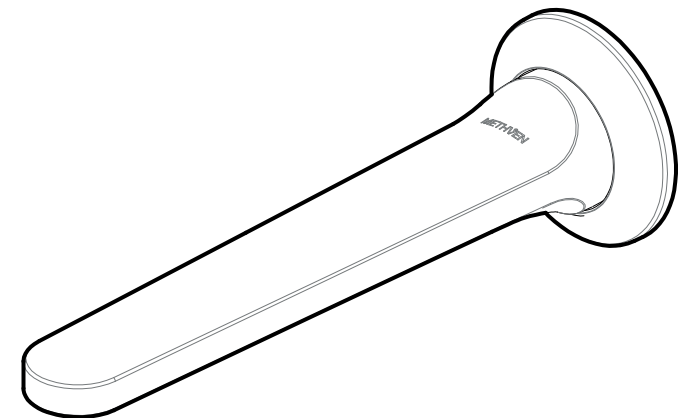
New Zealand  
0800 804 222

Australia  
1300 638 483

UK  
0800 195 1602

435960

ISSUE B

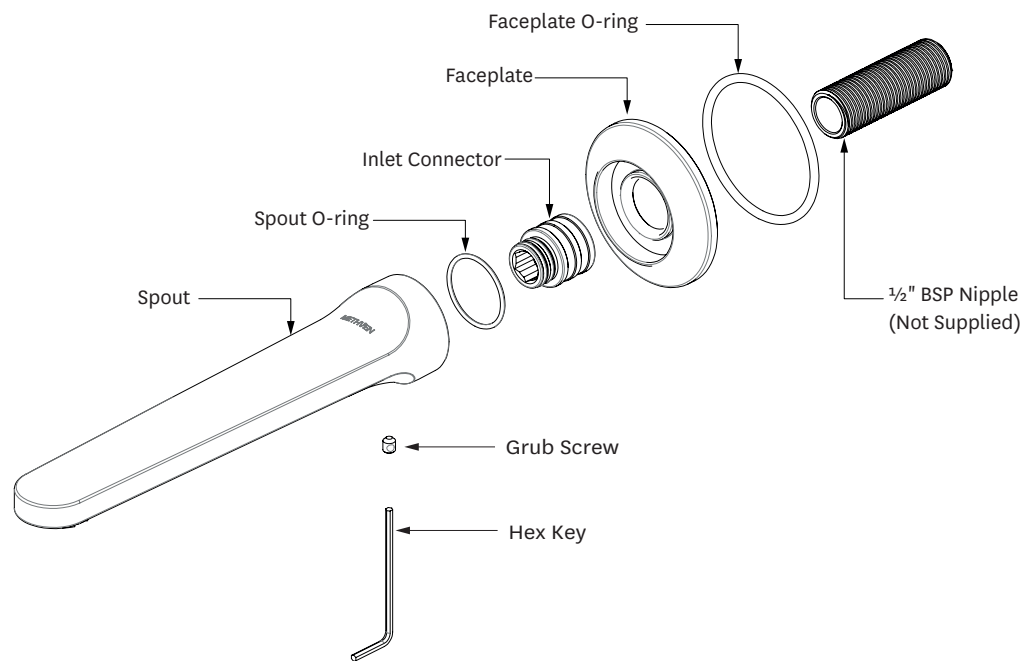


**METHVEN**  
[www.methven.com](http://www.methven.com)

**IMPORTANT:** Please read all of the instructions before installation.

### General:

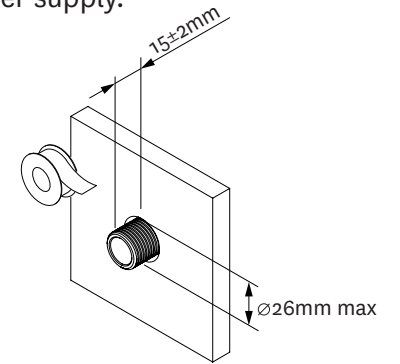
- Methven recommends this product is installed by a licensed plumber in compliance with all relevant regional regulations.
- After installation all connections must be checked for leaks.
- All outlets used primarily for personal hygiene shall deliver water at a safe temperature as per regional regulations.
- It is the responsibility of the installer to ensure a waterproof seal is achieved between the product and mounting surface. If in doubt about the quality of the seal, remove the product and reinstall using silicone to ensure a seal is achieved.



**IMPORTANT:** Before you begin, turn off the water supply.

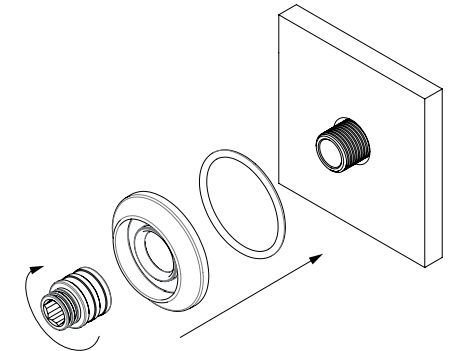
### Step 1

- Wall lining hole should be cut or finished as per the dimension shown in the diagram on the right.
- Cut off the threaded nipple  $15\pm 2\text{mm}$  from the wall lining and apply thread seal tape to ensure a good seal.



### Step 2

- Insert faceplate o-ring into the groove in the faceplate and slide the faceplate over the nipple.
- Secure faceplate in place by screwing the inlet connector onto the nipple.



### Step 3

- Ensure spout o-ring is located on faceplate.
- Push the spout onto the inlet connector and secure in place by tightening the grub screw firmly using the hex key provided.

