

MIXXX

tapware & accessories

MAGNOLIA COLLECTION

Item Code: 11SL050CL

WELS Rating: 5 Star

Flow Rate (L/Min): 6

Cartridge: 40mm Ceramic Disc

Pressure Rating: 1500kPa

Operating Temp: 1-80°C

Tails: Stainless Steel braided PEX

Finish: Chrome

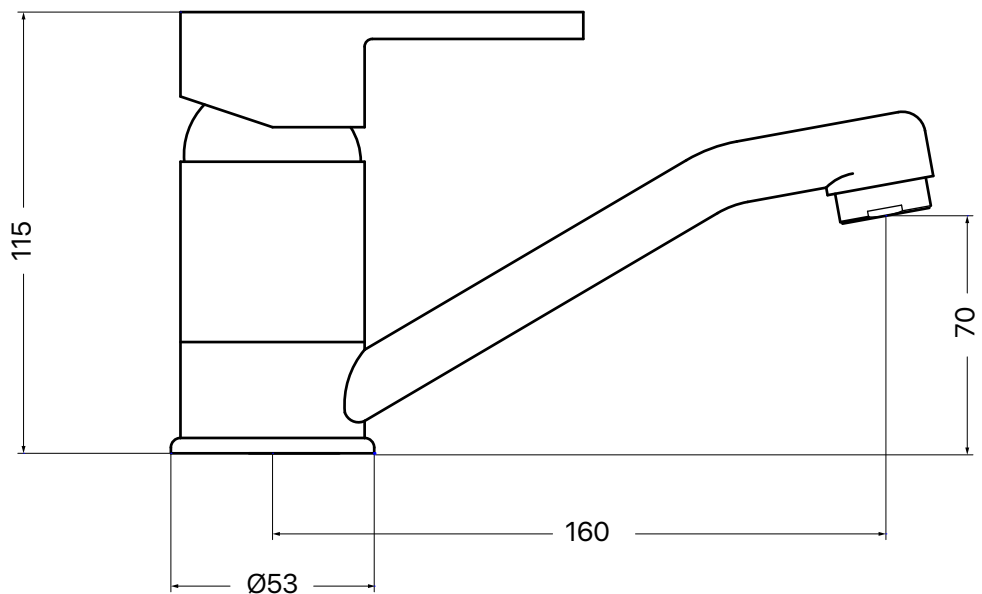
Warranty: 20 Years



Available Finishes



Chrome



A BRAND BY
BRASSHARDS
— GROUP —

www.mixxtapware.com.au | info@mixxtapware.com.au