

## ARGAN COLLECTION

**Item Code:** 11SL274C  
**WELS Rating:** N/A  
**Flow Rate (L/Min):** N/A  
**Cartridge:** 35mm Ceramic Disc  
**Pressure Rating:** 1500kPa  
**Operating Temp:** 1-80° C  
**Finish:** Chrome  
**Warranty:** 7 Years



### Available Finishes

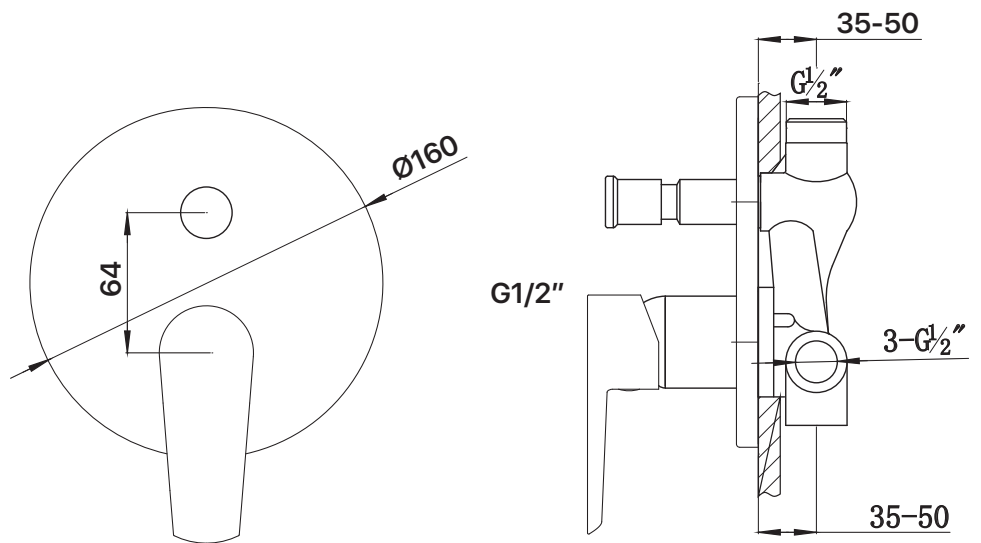


Chrome



Matt Black

# Argan Shower Diverter Mixer



A BRAND BY

**BRASSHARDS**

— GROUP —