



PHOENIX

SPECIFICATIONS

RUSH

BASIN SET

PRODUCT CODE: RU100 CHR
 FINISH: CHROME
 WELS: 5 STAR - 5.0 LT/MIN

INFORMATION:

TEMPERATURE RATING: MIN 1° - MAX 75°
 PRESSURE RATING: MIN 150 kPa - MAX 500 kPa

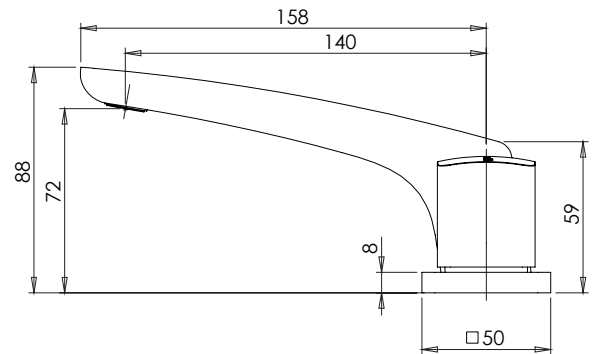
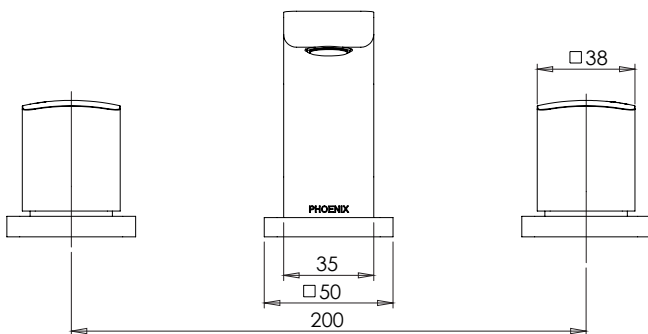


AVAILABLE IN:



CHROME

FOR MORE INFORMATION VISIT
www.phoenixtapware.com.au



PLEASE [CLICK HERE](#) TO VIEW FULL WARRANTY

While we aim to ensure the specifications shown are correct at time of printing, Phoenix Tapware reserves the right to make modifications without prior notice. Always use the physical product measurements for mark-ups and roughing-in as the line drawing shown may differ from the actual product over time. All measurements are shown in millimetres.

www.phoenixtapware.com.au
03 9780 4200



PHOENIX

SPECIFICATIONS

RUSH

BASIN SET

PRODUCT CODE:

RU100 CHR

FINISH:

CHROME

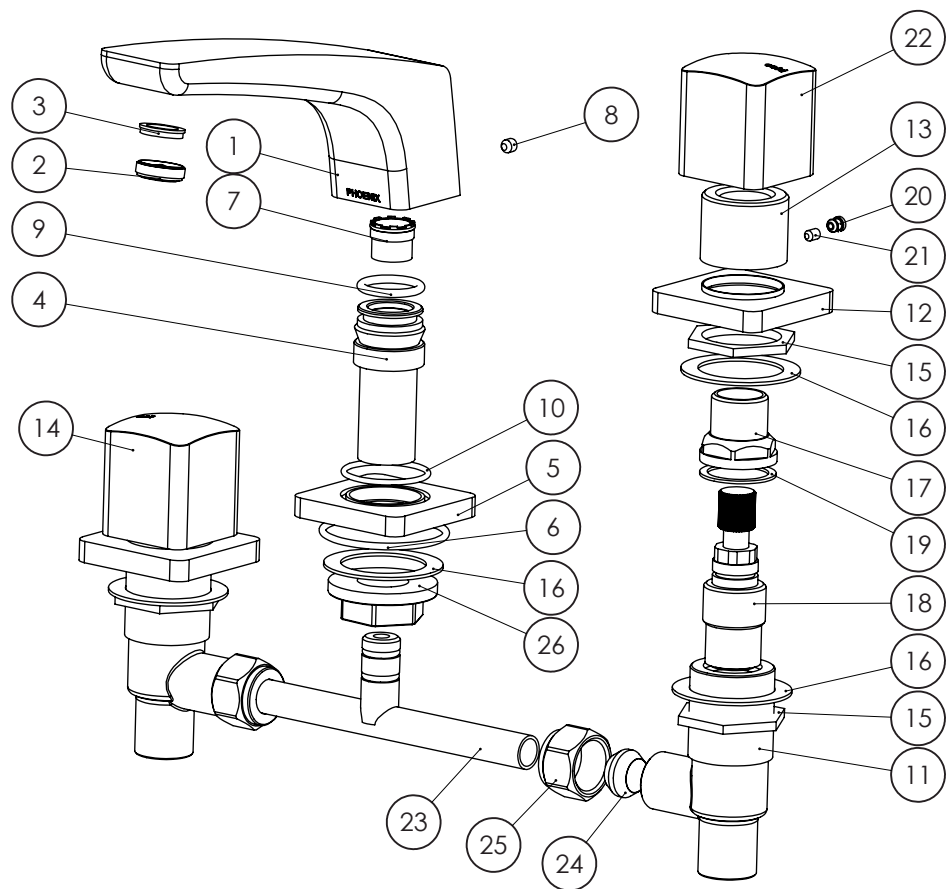
WELS:

5 STAR - 5.0 LT/MIN



PARTS LIST

1. SPOUT
2. AERATOR
3. AERATOR GASKET
4. SPOUT TAIL
5. SPOUT DRESS PLATE
6. O-RING
7. CACHE T
8. GRUB SCREW
9. O-RING 25X3.0MM
10. O-RING 33X2.0MM
11. TAP BODY
12. TAP DRESS PLATE
13. HANDLE FLANGE
14. HOT HANDLE
15. NUT
16. NYLON WASHER
17. 25MM BONNET
18. CERAMIC DISC CARTRIDGE
19. FIBER WASHER
20. RUBBER SCREW CAP
21. GRUB SCREW M4X6
22. COLD HANDLE
23. T-PIECE
24. CONNECTOR OLIVE
25. T-PIECE LOCKNUT
26. PLASTIC LOCKNUT



MAINTENANCE AND CARE:

- All surfaces should be cleaned with mild liquid detergent or soap and water.
- Do not use cream cleaners or citrus based cleaning products, as they are abrasive.
- Use of unsuitable cleaning agents may damage the surface. Any damage caused in this way will not be covered by warranty.

PACKAGING INCLUDES

- 1 x Spout
- 1 x Hot tap
- 1 x Cold tap
- 1 x T-piece
- 1 x Installation kit
- 1 x Installation instructions
- 1 x Warranty card

[PLEASE CLICK HERE TO VIEW FULL WARRANTY](#)

While we aim to ensure the specifications shown are correct at time of printing, Phoenix Tapware reserves the right to make modifications without prior notice. Always use the physical product measurements for mark-ups and roughing-in as the line drawing shown may differ from the actual product over time. All measurements are shown in millimetres.

www.phoenixtapware.com.au
03 9780 4200