



PHOENIX

SPECIFICATIONS

VIVID SLIMLINE OVAL

SINK MIXER 220MM GOOSENECK

PRODUCT CODE: VV733 MB
 FINISH: MATTE BLACK
 WELS: 5 STAR - 6.0 LT/MIN

INFORMATION:

TEMPERATURE RATING: MIN 1° - MAX 75°
 PRESSURE RATING: MIN 150 kPa - MAX 500 kPa

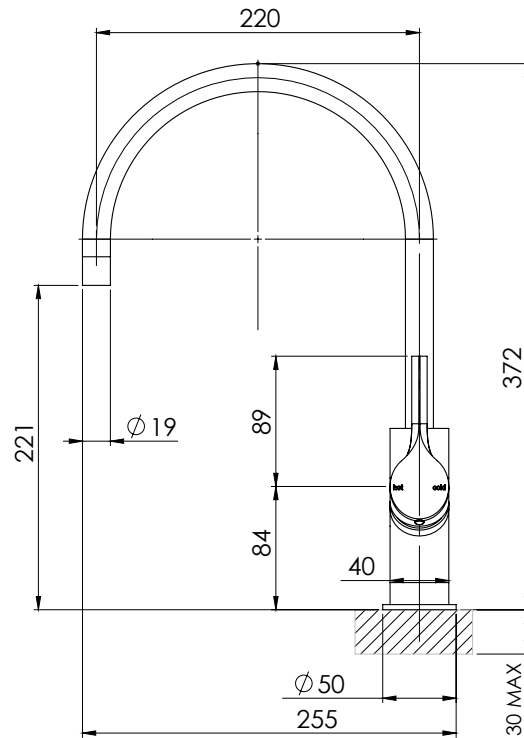
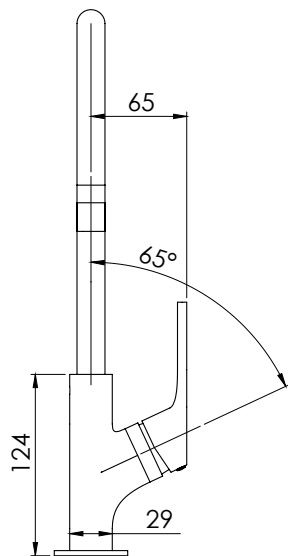


AVAILABLE IN:



CHROME BRUSHED NICKEL MATTE BLACK

FOR MORE INFORMATION VISIT
www.phoenixtapware.com.au



PLEASE [CLICK HERE TO VIEW FULL WARRANTY](#)

While we aim to ensure the specifications shown are correct at time of printing, Phoenix Tapware reserves the right to make modifications without prior notice. Always use the physical product measurements for mark-ups and roughing-in as the line drawing shown may differ from the actual product over time. All measurements are shown in millimetres. Some colours may vary across product types due to differing construction materials. Printed images are a representation only and the colour or finish may vary from the actual product.

www.phoenixtapware.com.au
 03 9780 4200



PHOENIX

SPECIFICATIONS

VIVID SLIMLINE OVAL

SINK MIXER 220MM GOOSENECK

PRODUCT CODE:

VV733 MB

FINISH:

MATTE BLACK

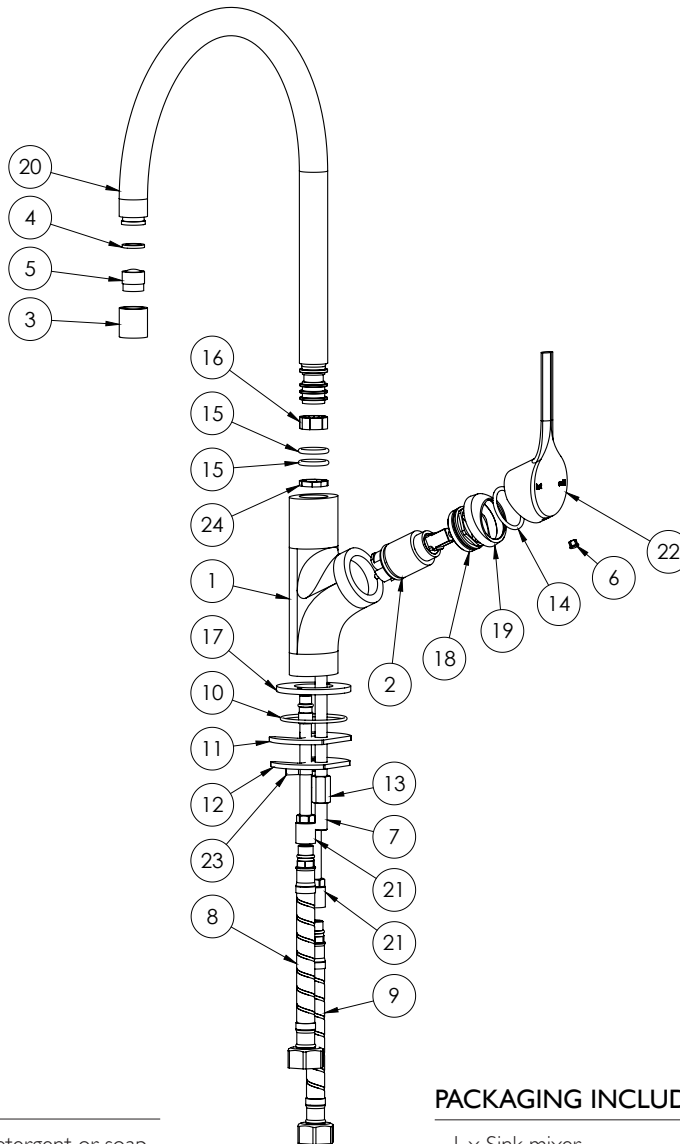
WELS:

5 STAR - 6.0 LT/MIN



PARTS LIST

1. OVAL SINK MIXER BODY
2. 25MM CARTRIDGE
3. NOZZLE RETAINER
4. AERATOR GASKET
5. AERATOR
6. SCREW CAP
7. M8 THREADED FIXING ROD
8. BRAIDED FLEXIBLE HOSE (HOT)
9. BRAIDED FLEXIBLE HOSE (COLD)
10. O-RING
11. RUBBER FIXING PLATE
12. FIXING PLATE
13. M8 NUT
14. O-RING
15. O-RING
16. SPOUT BEARING
17. DRESS PLATE
18. LOCKING NUT 25MM
19. MIXER DOME
20. SINK MIXER
21. HOSE EXTENSION
22. OVAL SINK MIXER HANDLE
23. RED INDICATOR TAPE
24. SHORT SPOUT BEARING



MAINTENANCE AND CARE:

- All surfaces should be cleaned with mild liquid detergent or soap and water.
- Do not use cream cleaners or citrus based cleaning products, as they are abrasive.
- Use of unsuitable cleaning agents may damage the surface. Any damage caused in this way will not be covered by warranty.

PACKAGING INCLUDES

- 1 x Sink mixer
- 1 x Aerator key
- 1 x 450mm braided flexible cold hose
- 1 x 450mm braided flexible hot hose
- 1 x Installation kit
- 1 x Installation instructions
- 1 x Warranty card

PLEASE [CLICK HERE](#) TO VIEW FULL WARRANTY

While we aim to ensure the specifications shown are correct at time of printing, Phoenix Tapware reserves the right to make modifications without prior notice. Always use the physical product measurements for mark-ups and roughing-in as the line drawing shown may differ from the actual product over time. All measurements are shown in millimetres. Some colours may vary across product types due to differing construction materials. Printed images are a representation only and the colour or finish may vary from the actual product.

www.phoenixtapware.com.au

03 9780 4200