



# PHOENIX

## SPECIFICATIONS

### VIVID SLIMLINE

### BASIN MIXER

PRODUCT CODE: VS770 MB  
 FINISH: MATTE BLACK  
 WELS: 6 STAR - 4.0 LT/MIN

#### INFORMATION:

MATERIAL: BRASS  
 TEMPERATURE RATING: MIN 1° - MAX 75°  
 PRESSURE RATING: MIN 150 kPa - MAX 500 kPa

#### CONSUMER UNIT:

SIZE: L 185MM x W 165MM x H 80MM  
 GROSS WEIGHT: 1.2 KG  
 BARCODE EAN-13: 9 320594 021 399

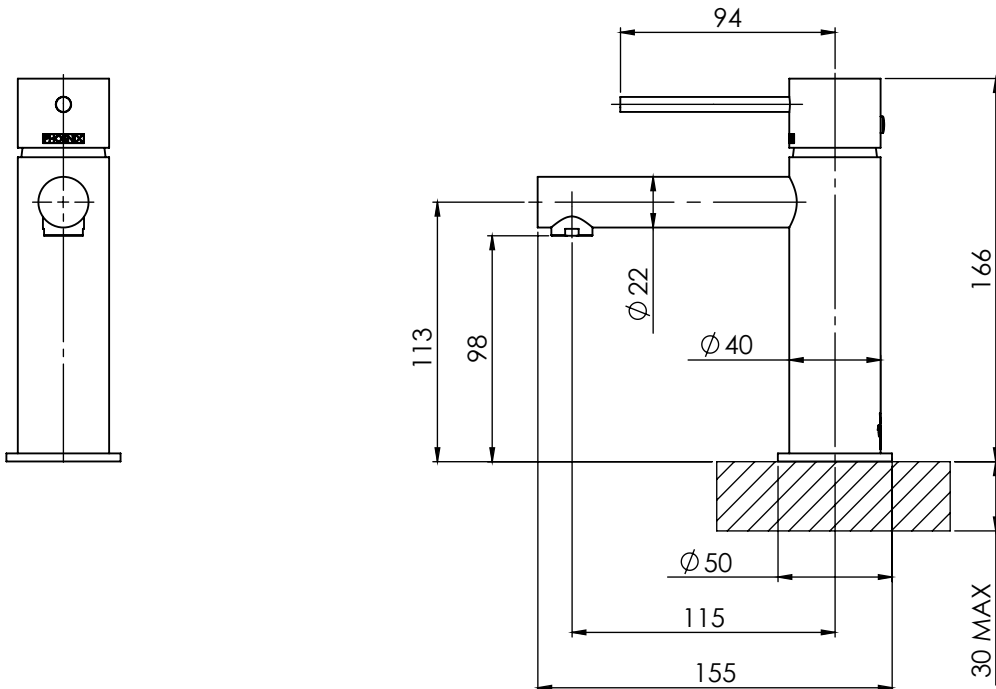


ALSO AVAILABLE IN:



CHROME BRUSHED NICKEL GUN METAL

FOR MORE INFORMATION VISIT [www.phoenixtapware.com.au](http://www.phoenixtapware.com.au)



PLEASE [CLICK HERE TO VIEW FULL WARRANTY](#)

While we aim to ensure the specifications shown are correct at time of printing, Phoenix Tapware reserves the right to make modifications without prior notice. Always use the physical product measurements for mark-ups and roughing-in as the line drawing shown may differ from the actual product over time. All measurements are shown in millimetres.

[www.phoenixtapware.com.au](http://www.phoenixtapware.com.au)  
03 9780 4200



# PHOENIX

## SPECIFICATIONS

### VIVID SLIMLINE

### BASIN MIXER

PRODUCT CODE:

VS770 MB

FINISH:

MATTE BLACK

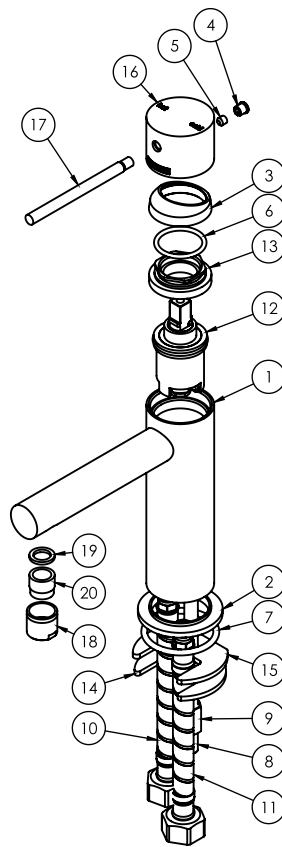
WELS:

6 STAR - 4.0 LT/MIN



#### PARTS LIST

1. MIXER BODY
2. DRESS PLATE
3. MIXER DOME
4. SCREW CAP
5. GRUB SCREW M5X5MM
6. O-RING 26X2.5MM
7. O-RING 39X3.5MM
8. M8 THREADED ROD
9. M8 NUT
10. FLEXIBLE HOSE 450MM HOT
11. FLEXIBLE HOSE 450MM COLD
12. 25MM CARTRIDGE
13. MIXER LOCKNUT
14. FIXING PLATE
15. RUBBER FIXING PLATE
16. MIXER HANDLE
17. PIN LEVER
18. AERATOR RETAINER
19. AERATOR GASKET
20. AERATOR



#### MAINTENANCE AND CARE:

- All surfaces should be cleaned with mild liquid detergent or soap and water.
- Do not use cream cleaners or citrus based cleaning products, as they are abrasive.
- Use of unsuitable cleaning agents may damage the surface. Any damage caused in this way will not be covered by warranty.

#### PACKAGING INCLUDES

- 1 x Basin mixer
- 1 x Installation kit
- 1 x 450mm braided flexible cold hose
- 1 x 450mm braided flexible hot hose
- 1 x AFII spanner
- 1 x Installation instructions
- 1 x Warranty card

PLEASE [CLICK HERE](#) TO VIEW FULL WARRANTY

While we aim to ensure the specifications shown are correct at time of printing, Phoenix Tapware reserves the right to make modifications without prior notice. Always use the physical product measurements for mark-ups and roughing-in as the line drawing shown may differ from the actual product over time. All measurements are shown in millimetres.

[www.phoenixtapware.com.au](http://www.phoenixtapware.com.au)  
03 9780 4200