



# PHOENIX

## SPECIFICATIONS

### RADII

### WALL BASIN MIXER SET 200MM

PRODUCT CODE: RA785 CHR  
 FINISH: CHROME  
 WELS: 4 STAR - 7.0 LT/MIN

#### INFORMATION:

TEMPERATURE RATING: MIN 1° - MAX 75°  
 PRESSURE RATING: MIN 150 kPa - MAX 500 kPa

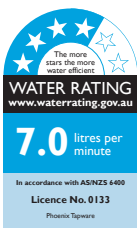
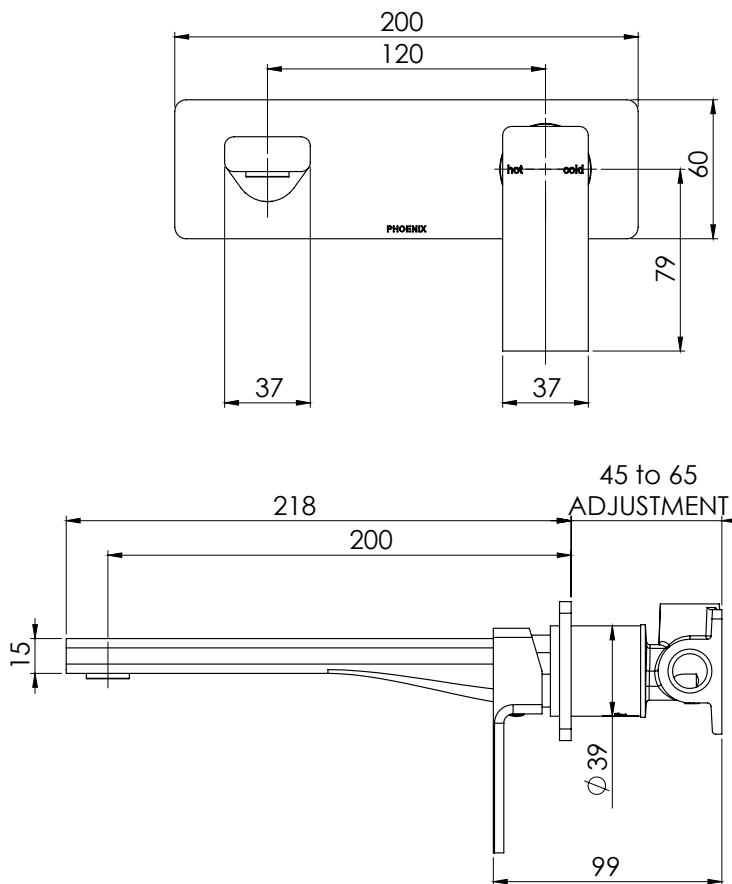


AVAILABLE IN:



CHROME

FOR MORE INFORMATION VISIT  
[www.phoenixtapware.com.au](http://www.phoenixtapware.com.au)



PLEASE [CLICK HERE](#) TO VIEW FULL WARRANTY

While we aim to ensure the specifications shown are correct at time of printing, Phoenix Tapware reserves the right to make modifications without prior notice. Always use the physical product measurements for mark-ups and roughing-in as the line drawing shown may differ from the actual product over time. All measurements are shown in millimetres.

Radii is a Registered Trademark of Phoenix Industries Pty. Ltd.

V060919

[www.phoenixtapware.com.au](http://www.phoenixtapware.com.au)  
03 9780 4200



# PHOENIX

## SPECIFICATIONS

### RADII

### WALL BASIN MIXER SET 200MM

PRODUCT CODE:

RA785 CHR

FINISH:

CHROME

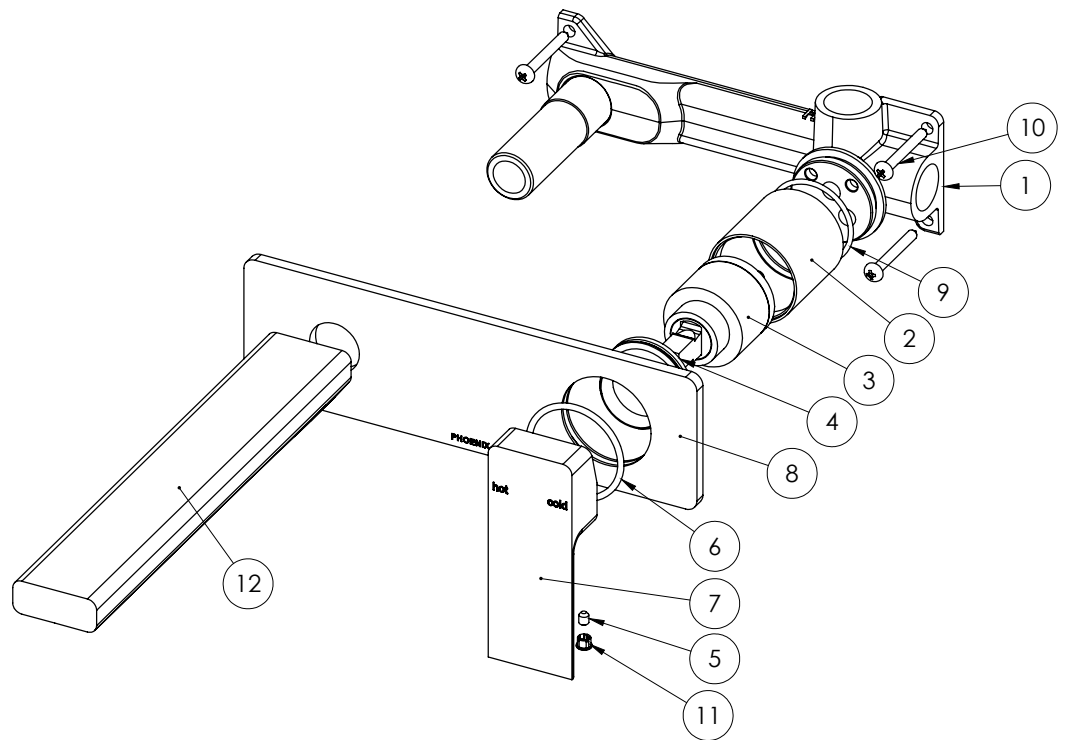
WELS:

4 STAR - 7.0 LT/MIN



#### PARTS LIST

1. WALL MIXER SET BREEACH
2. WALL MIXER BODY
3. 35MM CARTRIDGE
4. LOCKNUT DOME
5. GRUB SCEW M4X5
6. O-RING 38X2.5
7. MIXER HANDLE
8. BACKPLATE
9. O-RING 33X2.0
10. SCREW M4X35
11. GRUB SCREW CAP
12. OUTLET 200MM



#### MAINTENANCE AND CARE:

- All surfaces should be cleaned with mild liquid detergent or soap and water.
- Do not use cream cleaners or citrus based cleaning products, as they are abrasive.
- Use of unsuitable cleaning agents may damage the surface. Any damage caused in this way will not be covered by warranty.

#### PACKAGING INCLUDES

- 1 x Wall basin set
- 1 x Installation kit
- 1 x Installation instructions
- 1 x Warranty card

PLEASE [CLICK HERE](#) TO VIEW FULL WARRANTY

While we aim to ensure the specifications shown are correct at time of printing, Phoenix Tapware reserves the right to make modifications without prior notice. Always use the physical product measurements for mark-ups and roughing-in as the line drawing shown may differ from the actual product over time. All measurements are shown in millimetres.

Radii is a Registered Trademark of Phoenix Industries Pty, Ltd.

V060919

[www.phoenixtapware.com.au](http://www.phoenixtapware.com.au)  
03 9780 4200