



PHOENIX

SPECIFICATIONS

VIVID SLIMLINE

VESSEL MIXER

PRODUCT CODE: VS790 BN
 FINISH: BRUSHED NICKEL
 WELS: 6 STAR - 4.5 LT/MIN

INFORMATION:

MATERIAL: BRASS
 TEMPERATURE RATING: MIN 1° - MAX 75°
 PRESSURE RATING: MIN 150 kPa - MAX 500 kPa

CONSUMER UNIT:

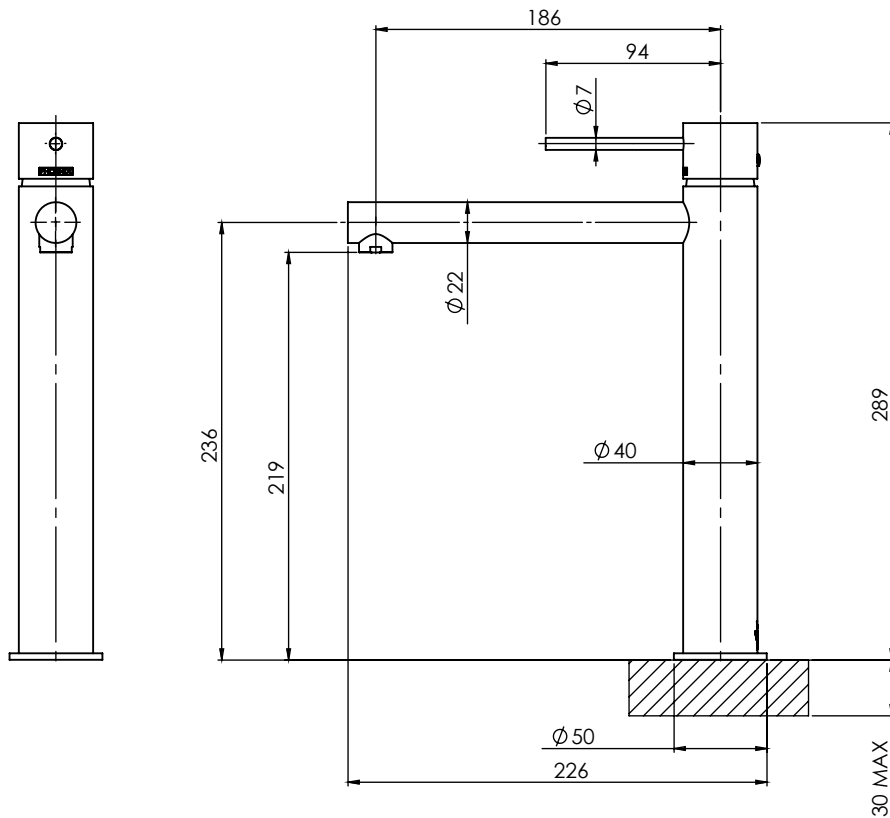
SIZE: L 450MM x W 260MM x H 70MM
 GROSS WEIGHT: 1.85 KG
 BARCODE EAN-13: 9 320594 009 656



ALSO AVAILABLE IN:



FOR MORE INFORMATION VISIT
www.phoenixtapware.com.au



PLEASE [CLICK HERE TO VIEW FULL WARRANTY](#)

While we aim to ensure the specifications shown are correct at time of printing, Phoenix Tapware reserves the right to make modifications without prior notice. Always use the physical product measurements for mark-ups and roughing-in as the line drawing shown may differ from the actual product over time. All measurements are shown in millimetres.

www.phoenixtapware.com.au
 03 9780 4200



PHOENIX

SPECIFICATIONS

VIVID SLIMLINE

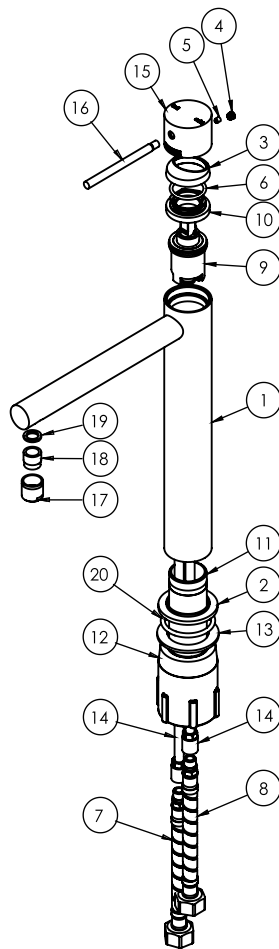
VESSEL MIXER

PRODUCT CODE: VS790 BN
 FINISH: BRUSHED NICKEL
 WELS: 6 STAR - 4.5 LT/MIN



PARTS LIST

1. MIXER BODY
2. DRESS PLATE
3. MIXER DOME
4. M5 SCREW CAP
5. GRUB SCREW M4X5MM
6. O-RING 26X2.5MM
7. FLEXIBLE HOSE HOT 450MM
8. FLEXIBLE HOSE COLD 450MM
9. 25MM CARTRIDGE
10. MIXER LOCKNUT
11. M32 MIXER TAIL
12. MIXER PLASTIC LOCKNUT
13. LOCKNUT GASKET
14. M10 HOSE EXTENSION
15. MIXER HANDLE
16. PIN LEVER
17. AERATOR RETAINER
18. AERATOR
19. AERATOR GASKET
20. O-RING 39X3.5MM



MAINTENANCE AND CARE:

- All surfaces should be cleaned with mild liquid detergent or soap and water.
- Do not use cream cleaners or citrus based cleaning products, as they are abrasive.
- Use of unsuitable cleaning agents may damage the surface. Any damage caused in this way will not be covered by warranty.

PACKAGING INCLUDES

- 1 x Vessel mixer
- 1 x Installation kit
- 1 x 450mm braided flexible cold hose
- 1 x 450mm braided flexible hot hose
- 1 x Installation instructions
- 1 x Warranty card

PLEASE [CLICK HERE](#) TO VIEW FULL WARRANTY

While we aim to ensure the specifications shown are correct at time of printing, Phoenix Tapware reserves the right to make modifications without prior notice. Always use the physical product measurements for mark-ups and roughing-in as the line drawing shown may differ from the actual product over time. All measurements are shown in millimetres.

www.phoenixtapware.com.au
03 9780 4200