



PHOENIX

SPECIFICATIONS

SUBI

SHOWER/BATH DIVERTER MIXER

PRODUCT CODE: I0579000C
 FINISH: CHROME
 WELS: N/A

INFORMATION:

TEMPERATURE RATING: MIN 1° - MAX 75°
 PRESSURE RATING: MIN 150 kPa - MAX 500 kPa

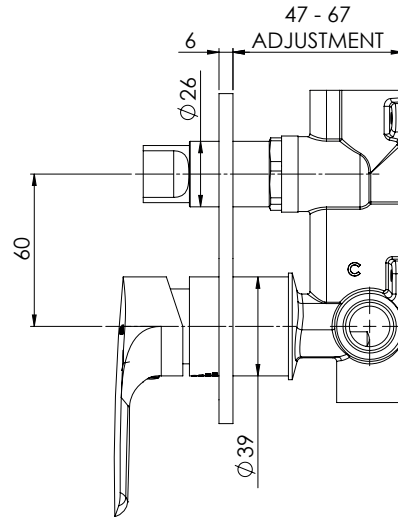
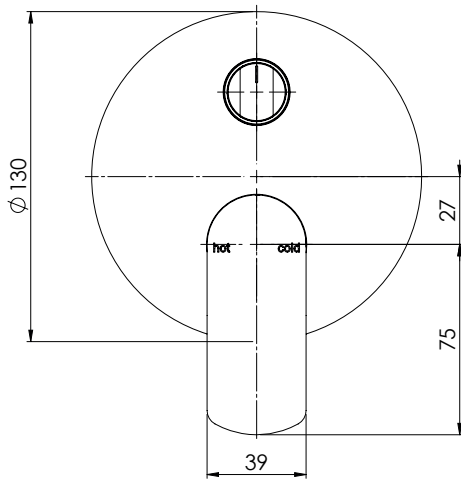


AVAILABLE IN:



CHROME

FOR MORE INFORMATION VISIT
www.phoenixtapware.com.au



PLEASE [CLICK HERE TO VIEW FULL WARRANTY](#)

While we aim to ensure the specifications shown are correct at time of printing, Phoenix Tapware reserves the right to make modifications without prior notice. Always use the physical product measurements for mark-ups and roughing-in as the line drawing shown may differ from the actual product over time. All measurements are shown in millimetres.

A Registered Design and Trademark of Phoenix Industries Pty. Ltd

www.phoenixtapware.com.au
03 9780 4200



PHOENIX

SPECIFICATIONS

SUBI

SHOWER/BATH DIVERTER MIXER

PRODUCT CODE:

I0579000C

FINISH:

CHROME

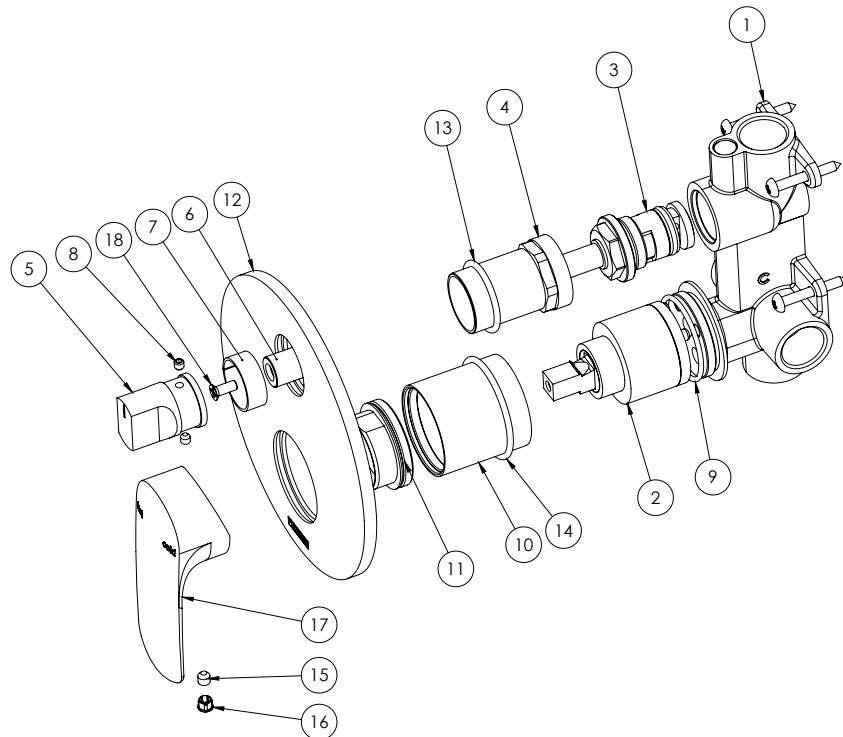
WELS:

N/A



PARTS LIST

1. DIVERTER MIXER BREACH
2. 35MM CARTRIDGE
3. DIVERTER ASSEMBLY
4. DIVERTER SLEEVE
5. DIVERTER BUTTON
6. SPINDLE ADAPTOR
7. NYLON BEARING
8. GRUB SCREW M4X4
9. O-RING
10. WALL MIXER SLEEVE
11. LOCKNUT
12. BACK PLATE
13. O-RING
14. O-RING
15. GRUB SCREW M5X5
16. SCREW CAP
17. MIXER HANDLE
18. COUNTERSUNK M4X10MM



MAINTENANCE AND CARE:

- Chrome plated surfaces should be cleaned with mild liquid detergent or soap and water.
- Do not use cream cleaners or citrus based cleaning products, as they are abrasive.
- Use of unsuitable cleaning agents may damage the surface. Any damage caused in this way will not be covered by warranty.

PACKAGING INCLUDES

- 1 x Diverter mixer
- 1 x Mixer handle
- 1 x Dress plate
- 1 x Installation kit
- 1 x Installation instructions
- 1 x Warranty card

PLEASE [CLICK HERE TO VIEW FULL WARRANTY](#)

While we aim to ensure the specifications shown are correct at time of printing, Phoenix Tapware reserves the right to make modifications without prior notice. Always use the physical product measurements for mark-ups and roughing-in as the line drawing shown may differ from the actual product over time. All measurements are shown in millimetres.

A Registered Design and Trademark of Phoenix Industries Pty, Ltd

www.phoenixtapware.com.au

03 9780 4200