



PHOENIX

SPECIFICATIONS

SUBI

BATH OUTLET 180MM

PRODUCT CODE:	10512160C
FINISH:	CHROME
WELS:	N/A

INFORMATION:

TEMPERATURE RATING:	MIN 1° - MAX 75°
PRESSURE RATING:	MIN 150 kPa - MAX 500 kPa

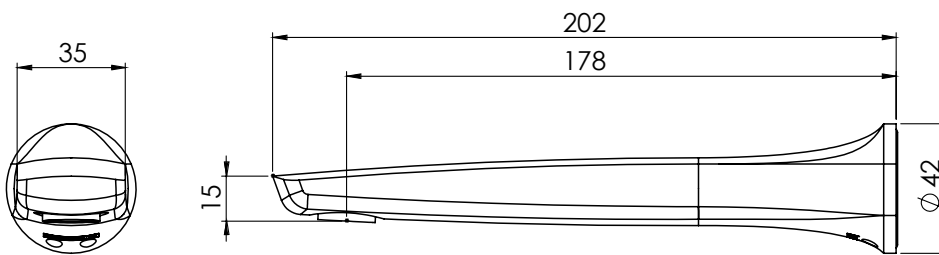


AVAILABLE IN:



CHROME

FOR MORE INFORMATION VISIT
www.phoenixtapware.com.au



PLEASE [CLICK HERE TO VIEW FULL WARRANTY](#)

While we aim to ensure the specifications shown are correct at time of printing, Phoenix Tapware reserves the right to make modifications without prior notice. Always use the physical product measurements for mark-ups and roughing-in as the line drawing shown may differ from the actual product over time. All measurements are shown in millimetres.

Subi is a Registered Trademark of Phoenix Industries Pty. Ltd.

V291116

www.phoenixtapware.com.au
03 9780 4200



PHOENIX

SPECIFICATIONS

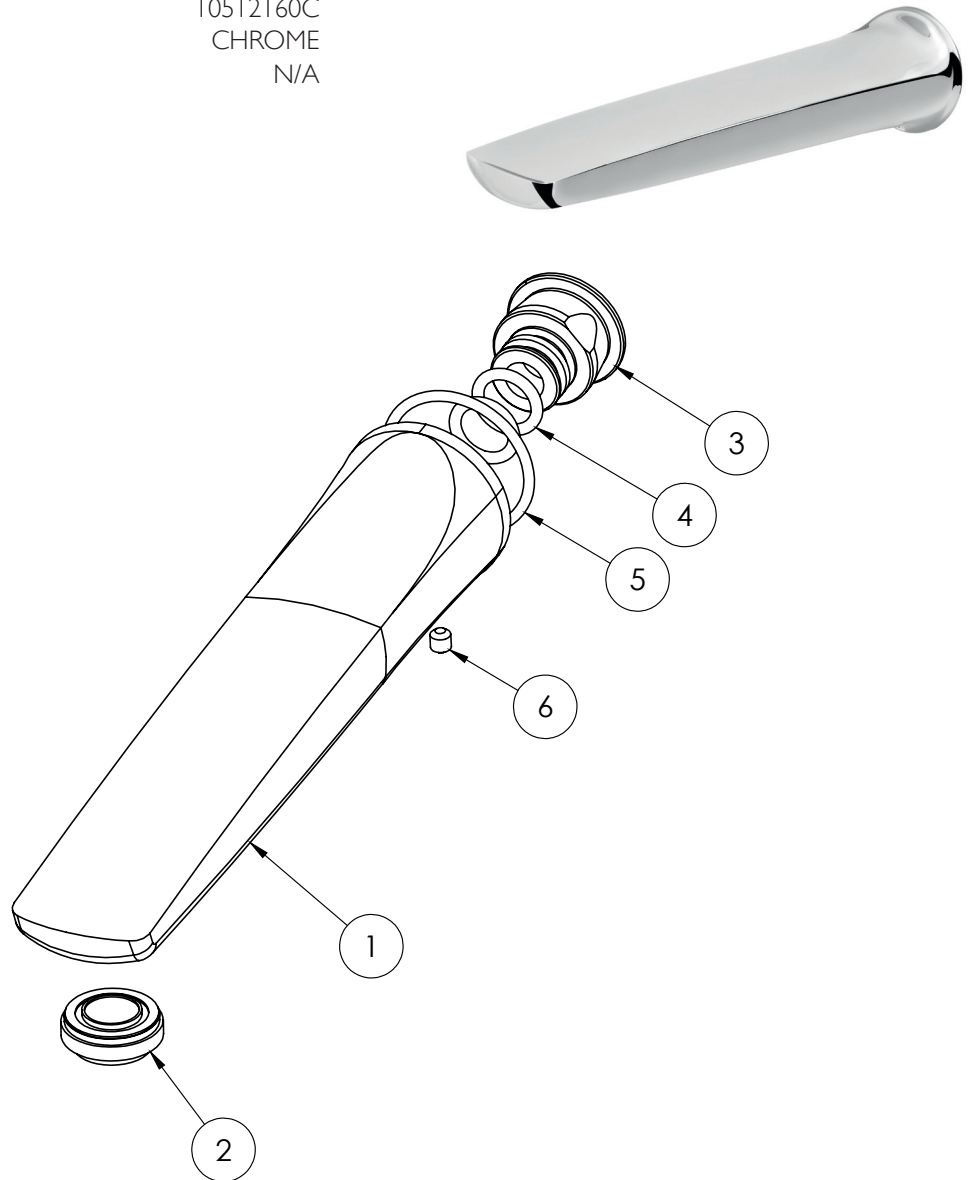
SUBI

BATH OUTLET 180MM

PRODUCT CODE: 10512160C
FINISH: CHROME
WELS: N/A

PARTS LIST

1. WALL SPOUT 180MM
2. MAX FLOW AERATOR
3. G1/2" ADAPTER
4. O-RING
5. O-RING
6. GRUB SCREW M5X5



MAINTENANCE AND CARE:

- Chrome plated surfaces should be cleaned with mild liquid detergent or soap and water.
- Do not use cream cleaners or citrus based cleaning products, as they are abrasive.
- Use of unsuitable cleaning agents may damage the surface. Any damage caused in this way will not be covered by warranty.

PACKAGING INCLUDES

- 1 x Wall bath outlet
- 1 x Installation kit
- 1 x Installation instructions
- 1 x Warranty card

PLEASE [CLICK HERE TO VIEW FULL WARRANTY](#)

While we aim to ensure the specifications shown are correct at time of printing, Phoenix Tapware reserves the right to make modifications without prior notice. Always use the physical product measurements for mark-ups and roughing-in as the line drawing shown may differ from the actual product over time. All measurements are shown in millimetres.

Subi is a Registered Trademark of Phoenix Industries Pty. Ltd.

V291116

www.phoenixtapware.com.au
03 9780 4200