



# PHOENIX

## SPECIFICATIONS

### SUBI

### WALL BATH MIXER SET 280MM

PRODUCT CODE:	I0576122C
FINISH:	CHROME
WELS:	N/A

#### INFORMATION:

MATERIAL:	BRASS
TEMPERATURE RATING:	MIN 1° - MAX 75°
PRESSURE RATING:	MIN 150 kPa - MAX 500 kPa

#### CONSUMER UNIT:

SIZE:	L 310MM x W 210MM x H 75MM
GROSS WEIGHT:	2.06 KG
BARCODE EAN-13:	9 320594 007 317

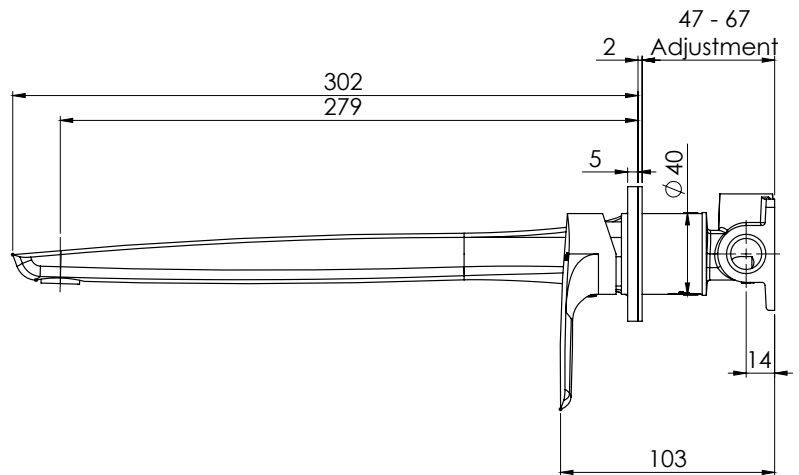
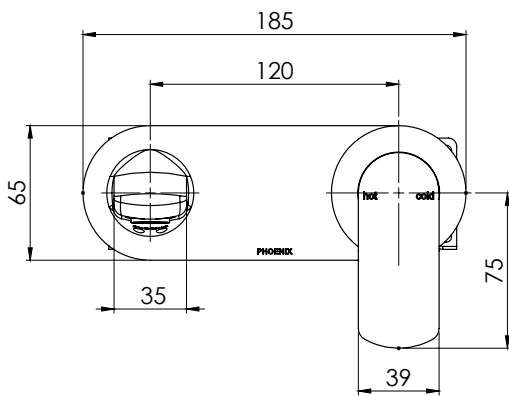


AVAILABLE IN:



CHROME

FOR MORE INFORMATION VISIT  
[www.phoenixtapware.com.au](http://www.phoenixtapware.com.au)



PLEASE [CLICK HERE TO VIEW FULL WARRANTY](#)

While we aim to ensure the specifications shown are correct at time of printing, Phoenix Tapware reserves the right to make modifications without prior notice. Always use the physical product measurements for mark-ups and roughing-in as the line drawing shown may differ from the actual product over time. All measurements are shown in millimetres.

Subi is a Registered Design and Trademark of Phoenix Industries Pty. Ltd  
V130716

[www.phoenixtapware.com.au](http://www.phoenixtapware.com.au)  
03 9780 4200



# PHOENIX

## SPECIFICATIONS

### SUBI

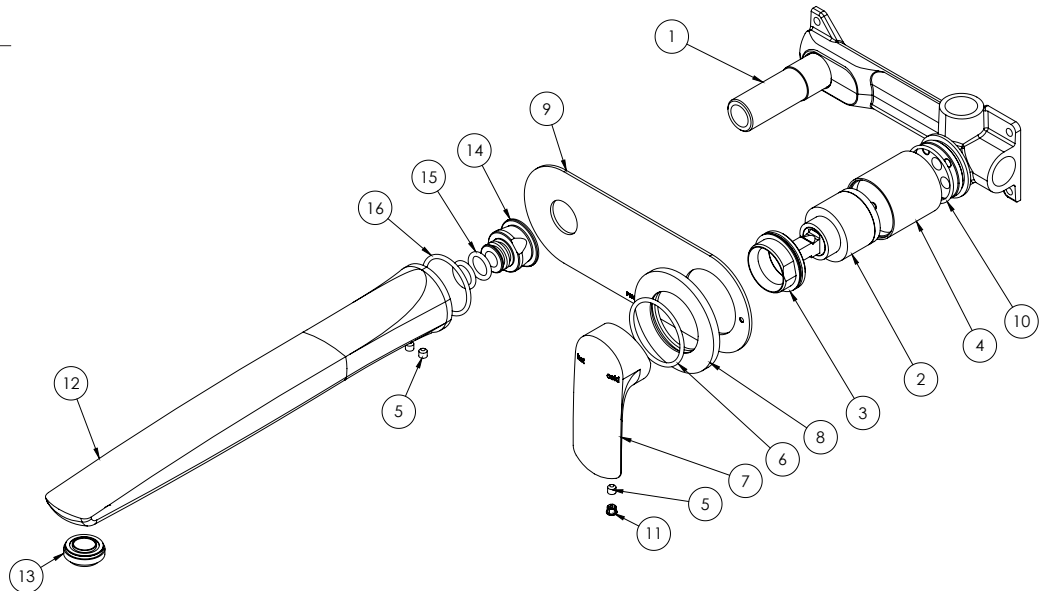
### WALL BATH MIXER SET 280MM

PRODUCT CODE: I0576122C  
 FINISH: CHROME  
 WELS: N/A



#### PARTS LIST

1. WALL BREACH
2. 35MM CARTRIDGE
3. LOCKNUT DOME
4. MIXER SLEEVE
5. GRUB SCREW M5X5MM
6. O-RING 39X2.5MM
7. MIXER HANDLE
8. MIXER RING
9. BACKPLATE
10. O-RING 33X2.0MM
11. SCREW CAP
12. SPOUT CAST 280MM
13. AERATOR
14. SPOUT ADAPTER
15. O-RING 12X2.75MM
16. O-RING 34X2.5MM



#### MAINTENANCE AND CARE:

- All surfaces should be cleaned with mild liquid detergent or soap and water.
- Do not use cream cleaners or citrus based cleaning products, as they are abrasive.
- Use of unsuitable cleaning agents may damage the surface. Any damage caused in this way will not be covered by warranty.

#### PACKAGING INCLUDES

- 1 x Wall bath mixer set 280mm
- 1 x Mixer handle
- 1 x Mixer dress plate
- 1 x Wall breach
- 1 x Installation kit
- 1 x Installation instructions
- 1 x Warranty card

PLEASE [CLICK HERE](#) TO VIEW FULL WARRANTY

While we aim to ensure the specifications shown are correct at time of printing, Phoenix Tapware reserves the right to make modifications without prior notice. Always use the physical product measurements for mark-ups and roughing-in as the line drawing shown may differ from the actual product over time. All measurements are shown in millimetres.

Subi is a Registered Design and Trademark of Phoenix Industries Pty. Ltd  
 V130716

[www.phoenixtapware.com.au](http://www.phoenixtapware.com.au)  
 03 9780 4200