



# PHOENIX

## SPECIFICATIONS

### SUBI

### WALL BATH OUTLET 280MM

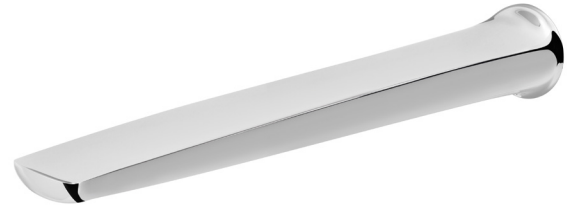
PRODUCT CODE:	10512162C
FINISH:	CHROME
WELS:	N/A

#### INFORMATION:

MATERIAL:	BRASS
TEMPERATURE RATING:	MIN 1° - MAX 75°
PRESSURE RATING:	MIN 150 kPa - MAX 500 kPa

#### CONSUMER UNIT:

SIZE:	L 350MM x W 85MM x H 85MM
GROSS WEIGHT:	.765 KG
BARCODE EAN-13:	9 320594 007 300

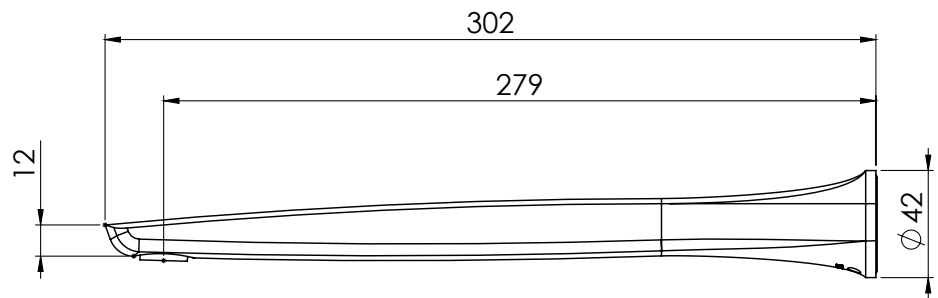
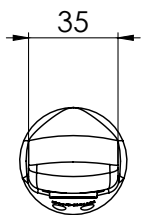


AVAILABLE IN:



CHROME

FOR MORE INFORMATION VISIT  
[www.phoenixtapware.com.au](http://www.phoenixtapware.com.au)



PLEASE [CLICK HERE](#) TO VIEW FULL WARRANTY

While we aim to ensure the specifications shown are correct at time of printing, Phoenix Tapware reserves the right to make modifications without prior notice. Always use the physical product measurements for mark-ups and roughing-in as the line drawing shown may differ from the actual product over time. All measurements are shown in millimetres.

Subi is a Registered Trademark of Phoenix Industries Pty. Ltd.

V130716

[www.phoenixtapware.com.au](http://www.phoenixtapware.com.au)  
03 9780 4200



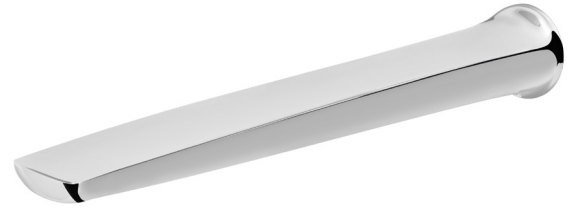
# PHOENIX

## SPECIFICATIONS

### SUBI

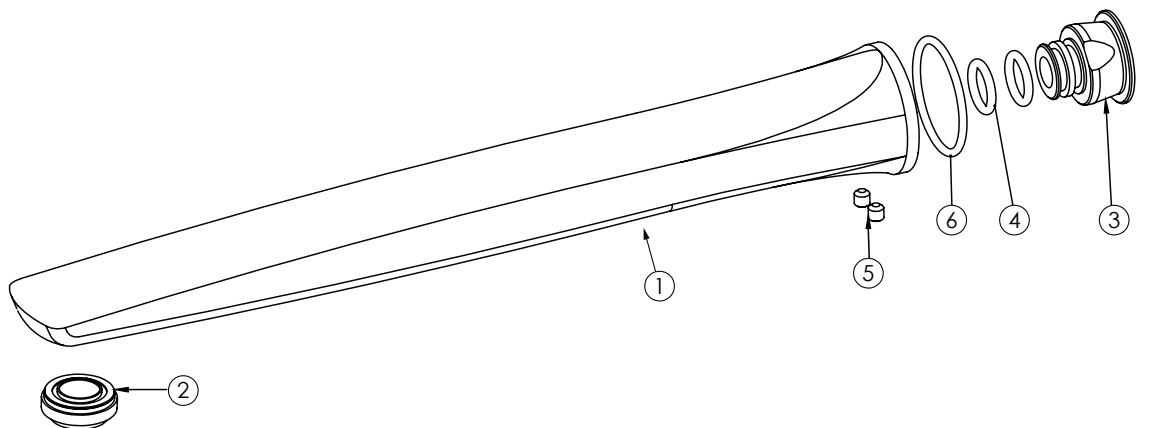
#### WALL BATH OUTLET 280MM

PRODUCT CODE: I0512162C  
FINISH: CHROME  
WELS: N/A



#### PARTS LIST

1. SPOUT 280MM
2. AERATOR MAX FLOW
3. SPOUT ADAPTER
4. O-RING 12.5X2.75MM
5. GRUB SCREW M5X5
6. O-RING 34X2.5MM



#### MAINTENANCE AND CARE:

- All surfaces should be cleaned with mild liquid detergent or soap and water.
- Do not use cream cleaners or citrus based cleaning products, as they are abrasive.
- Use of unsuitable cleaning agents may damage the surface. Any damage caused in this way will not be covered by warranty.

#### PACKAGING INCLUDES

- 1 x Wall bath outlet 280mm
- 1 x Installation kit
- 1 x Installation instructions
- 1 x Warranty card

PLEASE [CLICK HERE](#) TO VIEW FULL WARRANTY

While we aim to ensure the specifications shown are correct at time of printing, Phoenix Tapware reserves the right to make modifications without prior notice. Always use the physical product measurements for mark-ups and roughing-in as the line drawing shown may differ from the actual product over time. All measurements are shown in millimetres.

Subi is a Registered Trademark of Phoenix Industries Pty Ltd

V130716

[www.phoenixtapware.com.au](http://www.phoenixtapware.com.au)  
03 9780 4200