



PHOENIX

SPECIFICATIONS

GLOSS

WALL BATH MIXER SET 180MM

PRODUCT CODE:	GS783 CHR
FINISH:	CHROME
WELS:	N/A

INFORMATION:

TEMPERATURE RATING:	MIN 1° - MAX 75°
PRESSURE RATING:	MIN 150 kPa - MAX 500 kPa

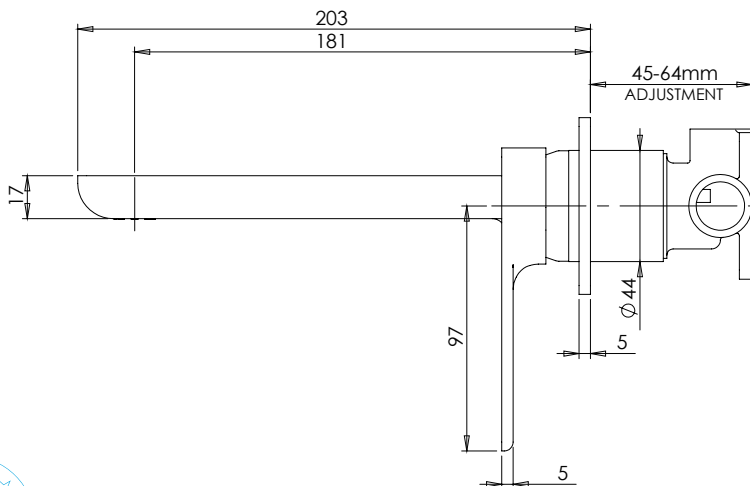
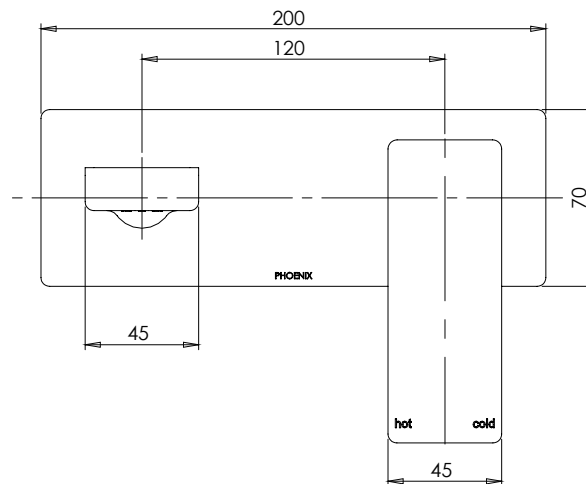


AVAILABLE IN:



CHROME

FOR MORE INFORMATION VISIT
www.phoenixtapware.com.au



PLEASE [CLICK HERE](#) TO VIEW FULL WARRANTY

While we aim to ensure the specifications shown are correct at time of printing, Phoenix Tapware reserves the right to make modifications without prior notice. Always use the physical product measurements for mark-ups and roughing-in as the line drawing shown may differ from the actual product over time. All measurements are shown in millimetres.

Gloss is a Registered Trademark of Phoenix Industries Pty Ltd.

V170817

www.phoenixtapware.com.au
03 9780 4200



PHOENIX

SPECIFICATIONS

GLOSS

WALL BATH MIXER SET 180MM

PRODUCT CODE:

GS783 CHR

FINISH:

CHROME

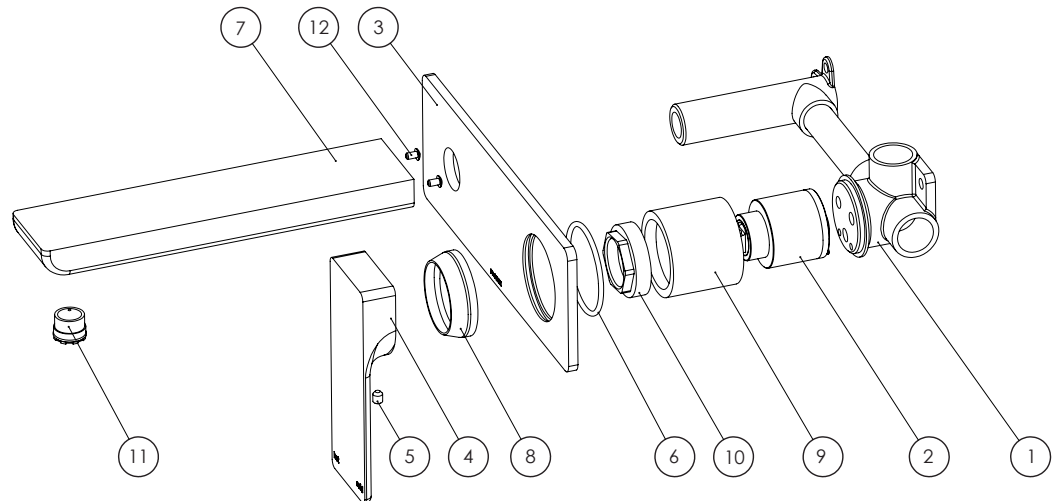
WELS:

N/A



PARTS LIST

1. WALL BREACH 120MM
2. 35MM CARTRIDGE
3. DRESS PLATE
4. MIXER HANDLE
5. GRUB SCREW M5X6
6. O-RING
7. WALL SPOUT
8. MIXER DOME
9. WALL MIXER BODY
10. MIXER LOCKNUT
11. FREE FLOW AERATOR
12. RUBBER PIN



MAINTENANCE AND CARE:

- All surfaces should be cleaned with mild liquid detergent or soap and water.
- Do not use cream cleaners or citrus based cleaning products, as they are abrasive.
- Use of unsuitable cleaning agents may damage the surface. Any damage caused in this way will not be covered by warranty.

PACKAGING INCLUDES

- 1 x Wall bath mixer set 180mm
- 1 x Dress plate
- 1 x Mixer handle
- 1 x Spout
- 1 x Installation kit
- 1 x Installation instructions
- 1 x Warranty card

PLEASE [CLICK HERE](#) TO VIEW FULL WARRANTY

While we aim to ensure the specifications shown are correct at time of printing, Phoenix Tapware reserves the right to make modifications without prior notice. Always use the physical product measurements for mark-ups and roughing-in as the line drawing shown may differ from the actual product over time. All measurements are shown in millimetres.

Gloss is a Registered Trademark of Phoenix Industries Pty. Ltd.

V170817

www.phoenixtapware.com.au
03 9780 4200