



PHOENIX

SPECIFICATIONS

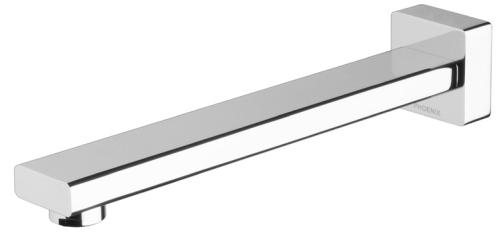
RADII

WALL BATH OUTLET 230MM

PRODUCT CODE: RA777 CHR
 FINISH: CHROME
 WELS: N/A

INFORMATION:

TEMPERATURE RATING: MIN 1° - MAX 75°
 PRESSURE RATING: MIN 150 kPa - MAX 500 kPa

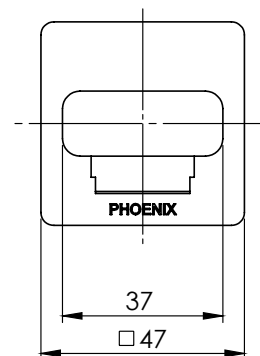
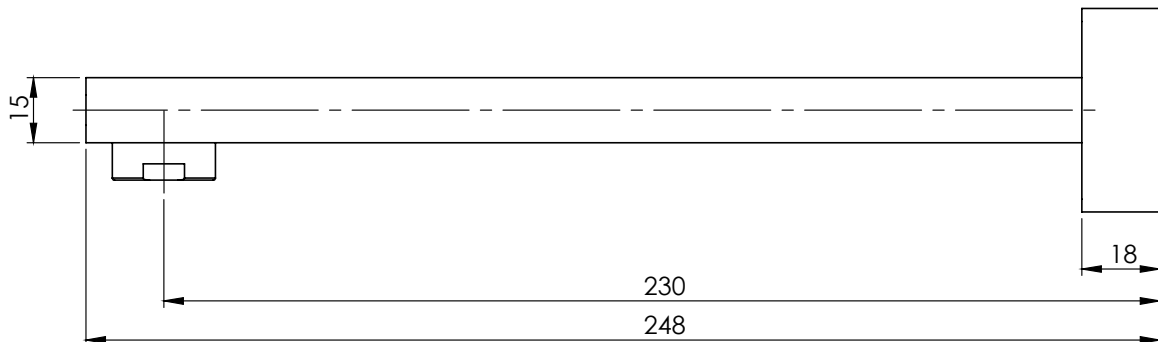


AVAILABLE IN:



CHROME

FOR MORE INFORMATION VISIT
www.phoenixtapware.com.au



PLEASE [CLICK HERE](#) TO VIEW FULL WARRANTY

While we aim to ensure the specifications shown are correct at time of printing, Phoenix Tapware reserves the right to make modifications without prior notice. Always use the physical product measurements for mark-ups and roughing-in as the line drawing shown may differ from the actual product over time. All measurements are shown in millimetres.

Radii is a Registered Trademark of Phoenix Industries Pty. Ltd.

V070617

www.phoenixtapware.com.au
03 9780 4200



PHOENIX

SPECIFICATIONS

RADII

WALL BATH OUTLET 230MM

PRODUCT CODE:

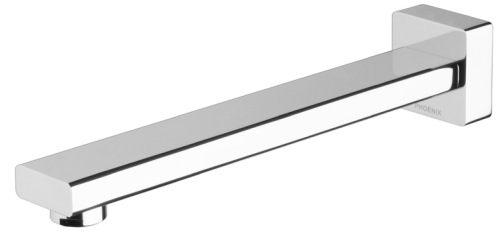
RA777 CHR

FINISH:

CHROME

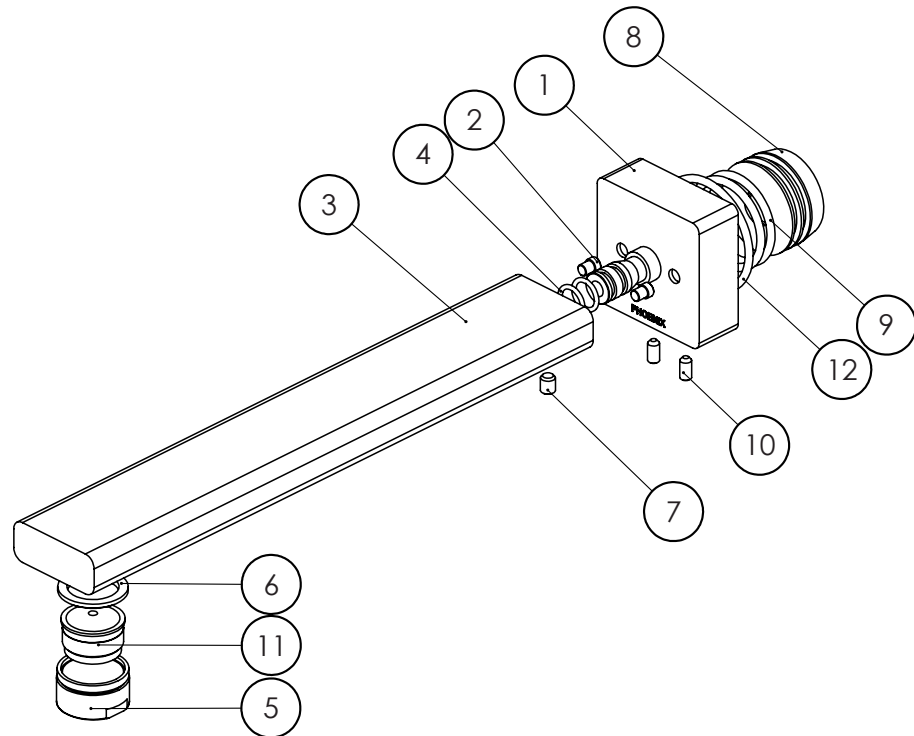
WELS:

N/A



PARTS LIST

1. DRESS PLATE
2. LOCATING PIN
3. 230MM SPOUT
4. O-RING 9X1.5MM
5. RETAINING NOZZLE
6. AERATOR GASKET
7. GRUB SCREW M5X6
8. SPOUT ADAPTOR
9. O-RING 28X2.65MM
10. GRUB SCREW M4X8
11. AERATOR
12. O-RING 36X2.6MM



MAINTENANCE AND CARE:

- All surfaces should be cleaned with mild liquid detergent or soap and water.
- Do not use cream cleaners or citrus based cleaning products, as they are abrasive.
- Use of unsuitable cleaning agents may damage the surface. Any damage caused in this way will not be covered by warranty.

PACKAGING INCLUDES

- 1 x Basin outlet
- 1 x Dress plate
- 1 x Installation kit
- 1 x Installation instructions
- 1 x Warranty card

PLEASE [CLICK HERE](#) TO VIEW FULL WARRANTY

While we aim to ensure the specifications shown are correct at time of printing, Phoenix Tapware reserves the right to make modifications without prior notice. Always use the physical product measurements for mark-ups and roughing-in as the line drawing shown may differ from the actual product over time. All measurements are shown in millimetres.

Radii is a Registered Trademark of Phoenix Industries Pty. Ltd.

V070617

www.phoenixtapware.com.au
03 9780 4200