



PHOENIX

SPECIFICATIONS

VIVID

WALL BATH OUTLET 200MM

PRODUCT CODE:	V776 MB
FINISH:	MATTE BLACK
WELS:	N/A

INFORMATION:

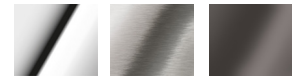
MATERIAL:	BRASS
TEMPERATURE RATING:	MIN 1° - MAX 75°
PRESSURE RATING:	MIN 150 kPa - MAX 500 kPa

CONSUMER UNIT:

SIZE:	L 55MM x W 215MM x H 55MM
GROSS WEIGHT:	0.4 KG
BARCODE EAN-13:	9 320594 022 693

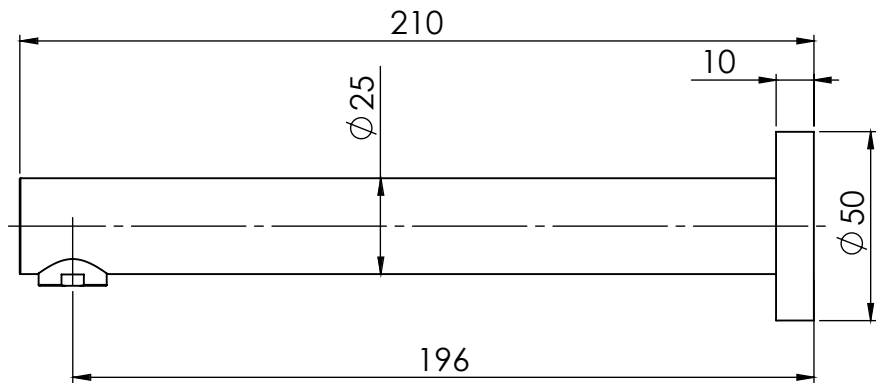
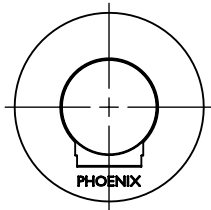


ALSO AVAILABLE IN:



CHROME BRUSHED NICKEL GUN METAL

FOR MORE INFORMATION VISIT
www.phoenixtapware.com.au



PLEASE [CLICK HERE](#) TO VIEW FULL WARRANTY

While we aim to ensure the specifications shown are correct at time of printing, Phoenix Tapware reserves the right to make modifications without prior notice. Always use the physical product measurements for mark-ups and roughing-in as the line drawing shown may differ from the actual product over time. All measurements are shown in millimetres.

www.phoenixtapware.com.au
03 9780 4200



PHOENIX

SPECIFICATIONS

VIVID

WALL BATH OUTLET 200MM

PRODUCT CODE:

V776 MB

FINISH:

MATTE BLACK

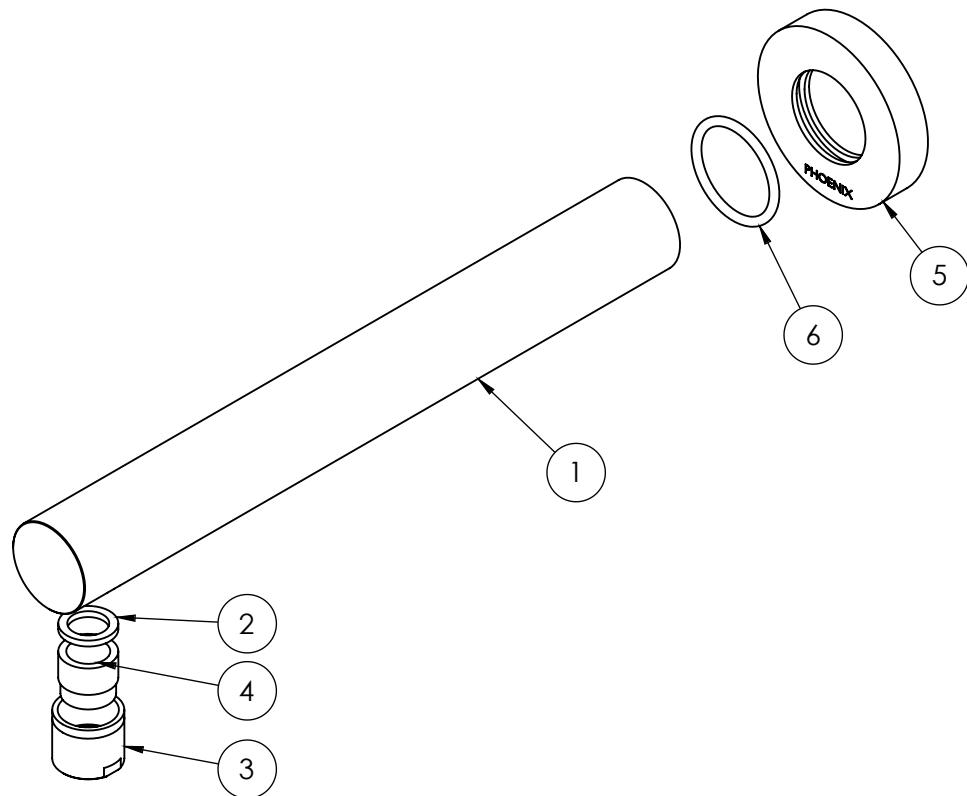
WELS:

N/A



PARTS LIST

1. SPOUT 200MM
2. AERATOR GASKET
3. AERATOR RETAINER
4. AERATOR MAX FLOW
5. BACKPLATE
6. O-RING 25X2.5MM



MAINTENANCE AND CARE:

- All surfaces should be cleaned with mild liquid detergent or soap and water.
- Do not use cream cleaners or citrus based cleaning products, as they are abrasive.
- Use of unsuitable cleaning agents may damage the surface. Any damage caused in this way will not be covered by warranty.

PACKAGING INCLUDES

- 1 x Wall bath outlet
- 1 x Installation instructions
- 1 x Warranty card

PLEASE [CLICK HERE](#) TO VIEW FULL WARRANTY

While we aim to ensure the specifications shown are correct at time of printing, Phoenix Tapware reserves the right to make modifications without prior notice. Always use the physical product measurements for mark-ups and roughing-in as the line drawing shown may differ from the actual product over time. All measurements are shown in millimetres.

www.phoenixtapware.com.au
03 9780 4200