



PHOENIX

SPECIFICATIONS

GLOSS

BASIN MIXER

| | |
|---------------|---------------------|
| PRODUCT CODE: | GS770 CHR |
| FINISH: | CHROME |
| WELS: | 6 STAR - 3.5 LT/MIN |

INFORMATION:

| | |
|---------------------|---------------------------|
| TEMPERATURE RATING: | MIN 1° - MAX 75° |
| PRESSURE RATING: | MIN 150 kPa - MAX 500 kPa |

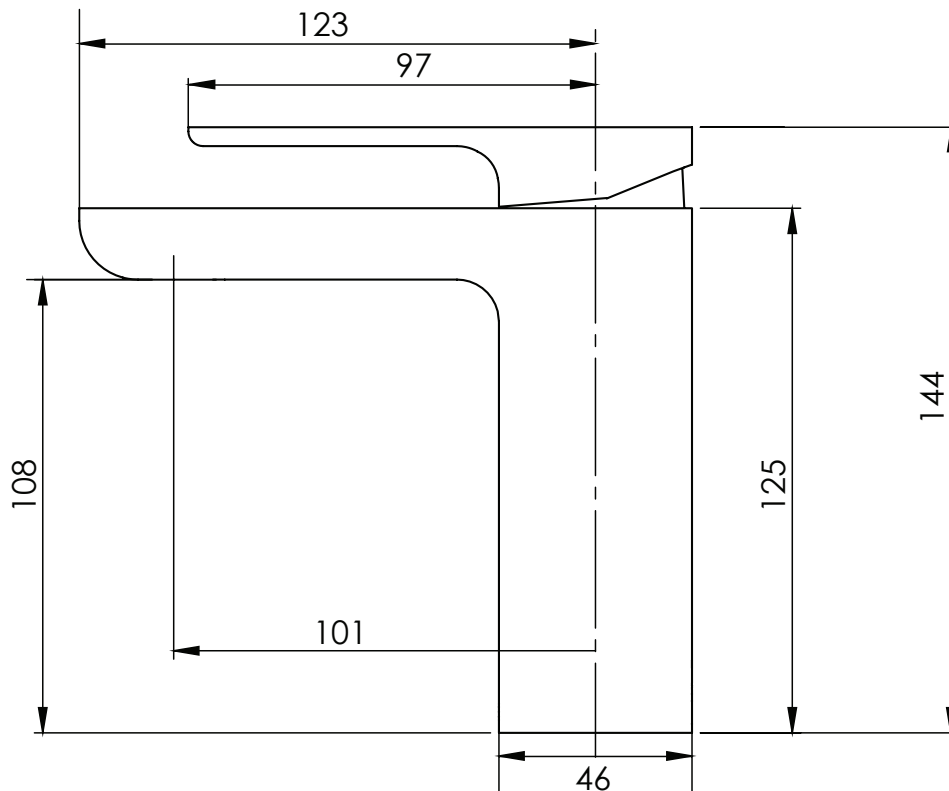


AVAILABLE IN:



CHROME

FOR MORE INFORMATION VISIT
www.phoenixtapware.com.au



PLEASE [CLICK HERE TO VIEW FULL WARRANTY](#)

While we aim to ensure the specifications shown are correct at time of printing, Phoenix Tapware reserves the right to make modifications without prior notice. Always use the physical product measurements for mark-ups and roughing-in as the line drawing shown may differ from the actual product over time. All measurements are shown in millimetres.

www.phoenixtapware.com.au
03 9780 4200

Gloss is a Registered Trademark of Phoenix Industries Pty Ltd.

V170817



PHOENIX

SPECIFICATIONS

GLOSS

BASIN MIXER

PRODUCT CODE:

GS770 CHR

FINISH:

CHROME

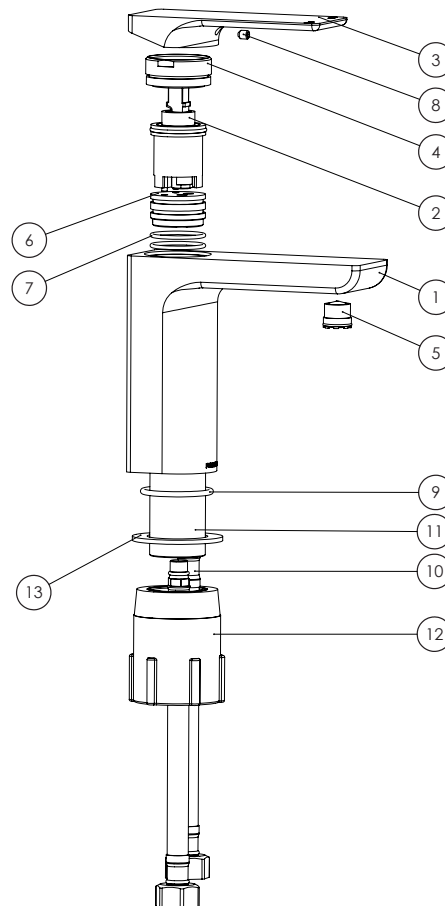
WELS:

6 STAR - 3.5 LT/MIN



PARTS LIST

1. MIXER BODY
2. 25MM CARTRIDGE
3. MIXER HANDLE
4. MIXER LOCKNUT DOME
5. AERATOR
6. CARTRIDGE SEAT
7. O-RING
8. GRUB SCREW M5X6
9. O-RING
10. FLEXIBLE HOSE
11. THREADED TAIL
12. PLASTIC LOCKNUT
13. LOCKNUT GASKET



MAINTENANCE AND CARE:

- All surfaces should be cleaned with mild liquid detergent or soap and water.
- Do not use cream cleaners or citrus based cleaning products, as they are abrasive.
- Use of unsuitable cleaning agents may damage the surface. Any damage caused in this way will not be covered by warranty.

PACKAGING INCLUDES

- 1 x Basin mixer
- 1 x Installation kit
- 1 x 450mm braided flexible cold hose
- 1 x 450mm braided flexible hot hose
- 1 x Installation instructions
- 1 x Warranty card

PLEASE [CLICK HERE](#) TO VIEW FULL WARRANTY

While we aim to ensure the specifications shown are correct at time of printing, Phoenix Tapware reserves the right to make modifications without prior notice. Always use the physical product measurements for mark-ups and roughing-in as the line drawing shown may differ from the actual product over time. All measurements are shown in millimetres.

Gloss is a Registered Trademark of Phoenix Industries Pty Ltd.

V170817

www.phoenixtapware.com.au
03 9780 4200