



PHOENIX

SPECIFICATIONS

VIVID

VESSEL MIXER

PRODUCT CODE: V790 CHR
 FINISH: CHROME
 WELS: 4 STAR - 7.5 LT/MIN

INFORMATION:

MATERIAL: BRASS
 TEMPERATURE RATING: MIN 1° - MAX 75°
 PRESSURE RATING: MIN 150 kPa - MAX 500 kPa

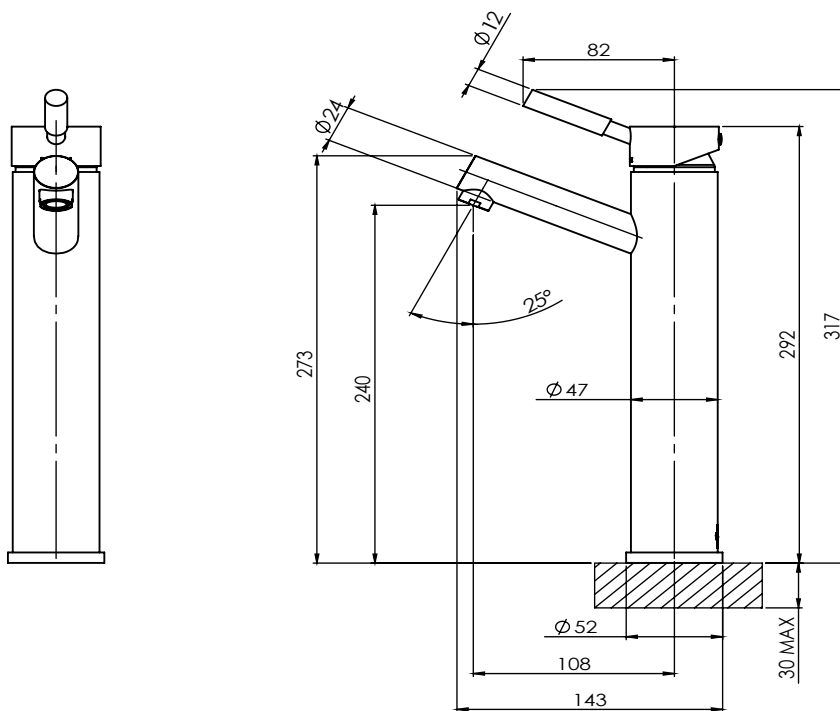


AVAILABLE IN:



CHROME

FOR MORE INFORMATION VISIT
www.phoenixtapware.com.au



PLEASE [CLICK HERE TO VIEW FULL WARRANTY](#)

While we aim to ensure the specifications shown are correct at time of printing, Phoenix Tapware reserves the right to make modifications without prior notice. Always use the physical product measurements for mark-ups and roughing-in as the line drawing shown may differ from the actual product over time. All measurements are shown in millimetres.

www.phoenixtapware.com.au
03 9780 4200



PHOENIX

SPECIFICATIONS

VIVID

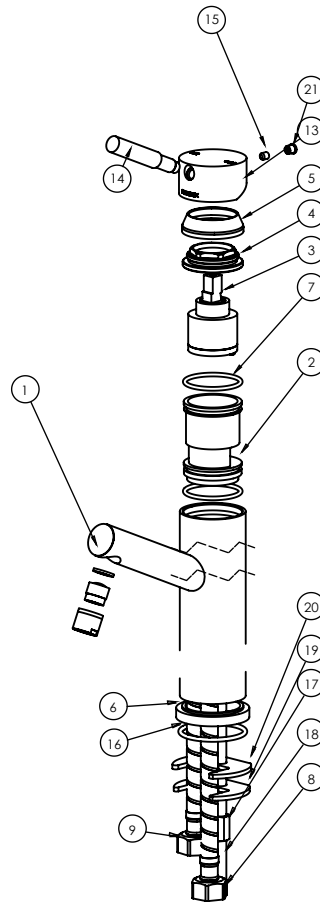
VESSEL MIXER

PRODUCT CODE: V790 CHR
 FINISH: CHROME
 WELS: 4 STAR - 7.5 LT/MIN



PARTS LIST

1. MIXER BODY AND SPOUT
2. CARTRIDGE SEAT
3. 35MM CARTRIDGE
4. MIXER LOCKNUT SLEEVE
5. MIXER DOME
6. DRESS PLATE
7. O-RING 37X2.7MM
8. FLEXIBLE HOSE 600MM HOT
9. FLEXIBLE HOSE 600MM COLD
10. AERATOR
11. AERATOR RETAINER
12. AERATOR GASKET
13. MIXER HANDLE
14. PIN LEVER
15. GRUB SCREW M5X6MM
16. O-RING 43X3MM
17. M8 NUT
18. M8 THREADED ROD
19. FIXING PLATE
20. RUBBER FIXING GASKET
21. SCREW CAP



MAINTENANCE AND CARE:

- All surfaces should be cleaned with mild liquid detergent or soap and water.
- Do not use cream cleaners or citrus based cleaning products, as they are abrasive.
- Use of unsuitable cleaning agents may damage the surface. Any damage caused in this way will not be covered by warranty.

PACKAGING INCLUDES

- 1 x Vessel mixer
- 1 x Installation kit
- 1 x 450mm braided flexible cold hose
- 1 x 450mm braided flexible hot hose
- 1 x Installation instructions
- 1 x Warranty card

PLEASE [CLICK HERE](#) TO VIEW FULL WARRANTY

While we aim to ensure the specifications shown are correct at time of printing, Phoenix Tapware reserves the right to make modifications without prior notice. Always use the physical product measurements for mark-ups and roughing-in as the line drawing shown may differ from the actual product over time. All measurements are shown in millimetres.

www.phoenixtapware.com.au
03 9780 4200