



# PHOENIX

## SPECIFICATIONS

**TOI**

### WALL BATH OUTLET 180MM

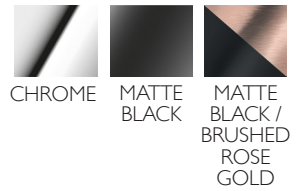
PRODUCT CODE: 108-7620-72  
 FINISH: MATTE BLACK / BRUSHED ROSE GOLD  
 WELS: N/A

#### INFORMATION:

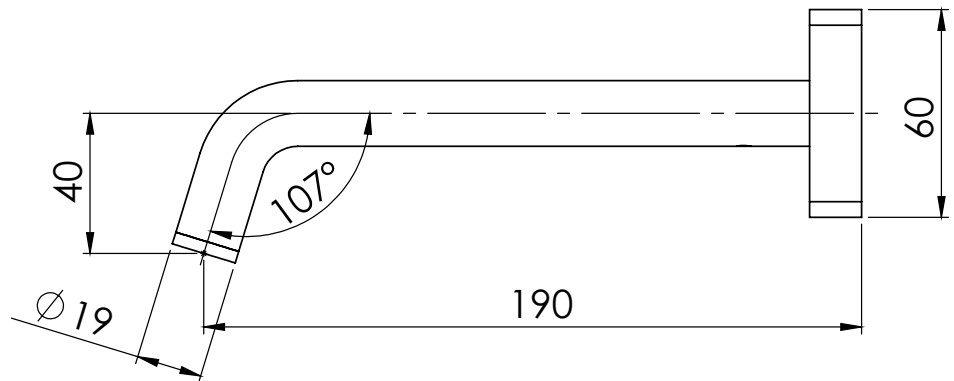
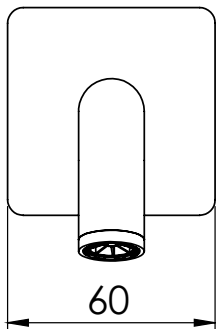
TEMPERATURE RATING: MIN 1° - MAX 75°  
 PRESSURE RATING: MIN 150 kPa - MAX 500 kPa



AVAILABLE IN:



FOR MORE INFORMATION VISIT [www.phoenixtapware.com.au](http://www.phoenixtapware.com.au)



PLEASE [CLICK HERE](#) TO VIEW FULL WARRANTY

While we aim to ensure the specifications shown are correct at time of printing, Phoenix Tapware reserves the right to make modifications without prior notice. Always use the physical product measurements for mark-ups and roughing-in as the line drawing shown may differ from the actual product over time. All measurements are shown in millimetres.

A Registered Design and Trademark of Phoenix Industries Pty. Ltd  
V60022020

[www.phoenixtapware.com.au](http://www.phoenixtapware.com.au)  
03 9780 4200



# PHOENIX

SPECIFICATIONS

TOI

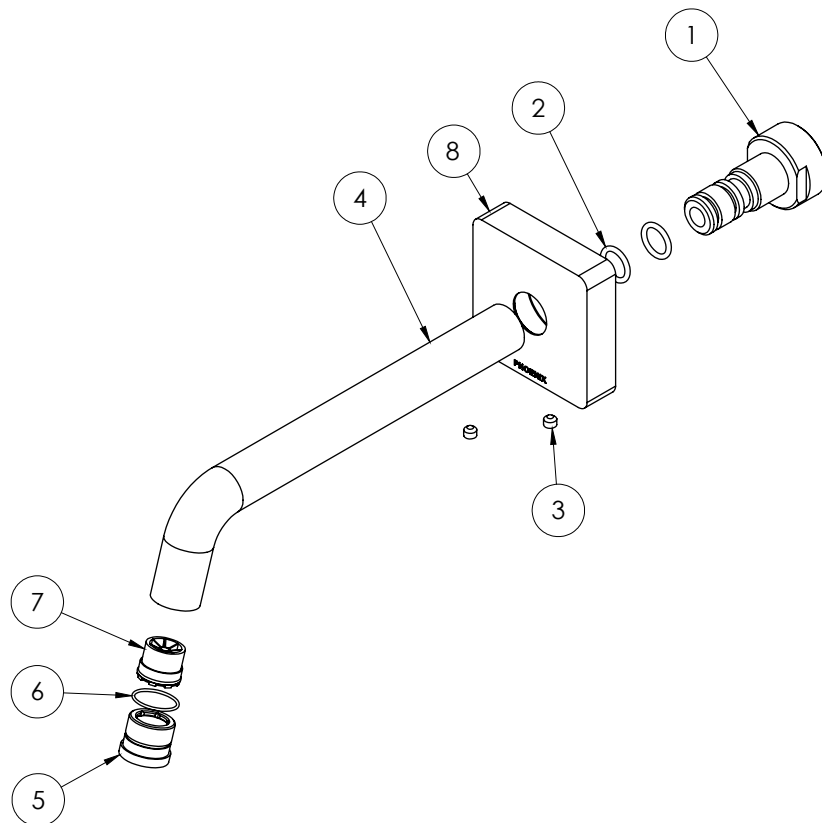
## WALL BATH OUTLET 180MM

PRODUCT CODE: 108-7620-72  
FINISH: MATTE BLACK / BRUSHED ROSE GOLD  
WELS: N/A



### PARTS LIST

1. ADAPTER
2. O-RING 11X2.0MM
3. GRUB SCREW
4. SPOUT
5. AERATOR RETAINER
6. O-RING 14X1.0MM
7. CONCEALED AERATOR
8. SPOUT PLATE



### MAINTENANCE AND CARE:

- All surfaces should be cleaned with mild liquid detergent or soap and water.
- Do not use cream cleaners or citrus based cleaning products, as they are abrasive.
- Use of unsuitable cleaning agents may damage the surface. Any damage caused in this way will not be covered by warranty.

PLEASE [CLICK HERE](#) TO VIEW FULL WARRANTY

While we aim to ensure the specifications shown are correct at time of printing, Phoenix Tapware reserves the right to make modifications without prior notice. Always use the physical product measurements for mark-ups and roughing-in as the line drawing shown may differ from the actual product over time. All measurements are shown in millimetres.

A Registered Design and Trademark of Phoenix Industries Pty. Ltd  
V6022020

[www.phoenixtapware.com.au](http://www.phoenixtapware.com.au)  
03 9780 4200