



PHOENIX

SPECIFICATIONS

TOI

SINK MIXER 180MM SQUARELINE

PRODUCT CODE: 108-7320-60
 FINISH: CHROME / MATTE BLACK
 WELS: 5 STAR - 6.0 LT/MIN

INFORMATION:

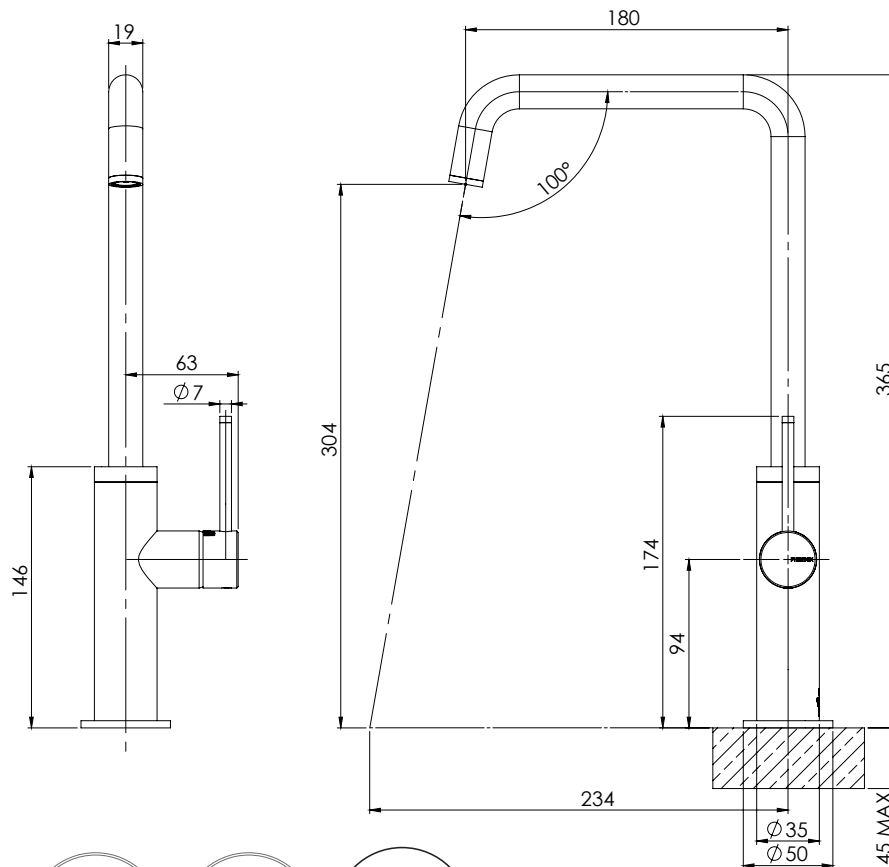
TEMPERATURE RATING: MIN 1° - MAX 75°
 PRESSURE RATING: MIN 150 kPa - MAX 500 kPa



ALSO AVAILABLE IN:



FOR MORE INFORMATION VISIT www.phoenixtapware.com.au



PLEASE [CLICK HERE TO VIEW FULL WARRANTY](#)

While we aim to ensure the specifications shown are correct at time of printing, Phoenix Tapware reserves the right to make modifications without prior notice. Always use the physical product measurements for mark-ups and roughing-in as the line drawing shown may differ from the actual product over time. All measurements are shown in millimetres.

A Registered Design and Trademark of Phoenix Industries Pty. Ltd.
V6022020

www.phoenixtapware.com.au
03 9780 4200