



PHOENIX

SPECIFICATIONS

ALIA

SHOWER WALL / MIXER

PRODUCT CODE:	110-7800-40
FINISH:	BRUSHED NICKEL
WELS:	N/A

INFORMATION:

TEMPERATURE RATING:	MIN 1° - MAX 75°
PRESSURE RATING:	MIN 150 kPa - MAX 500 kPa

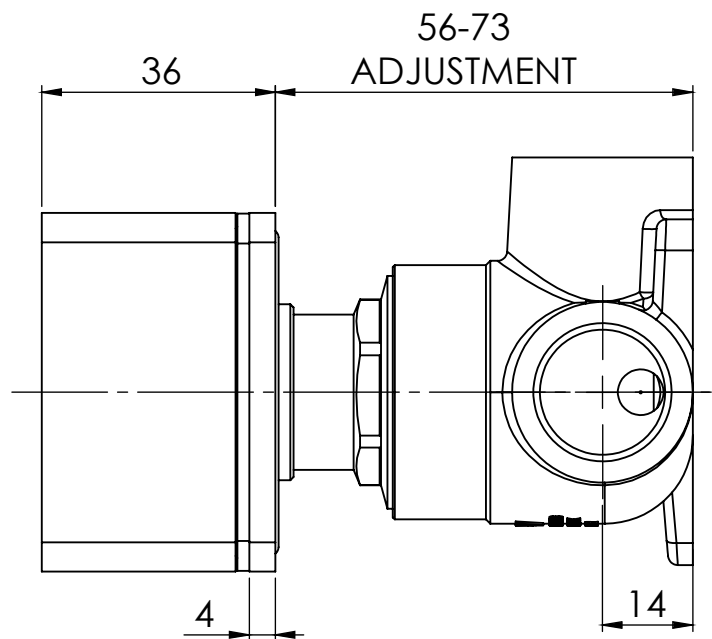
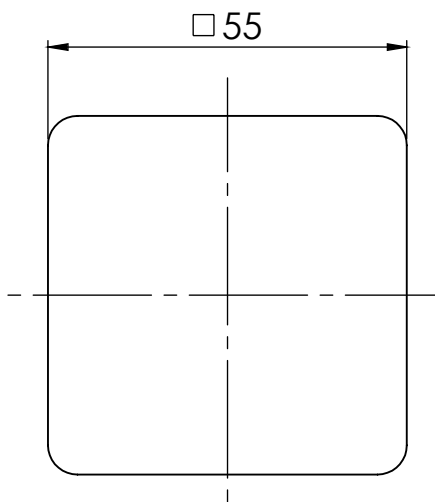


ALSO AVAILABLE IN:



CHROME BRUSHED GOLD

FOR MORE INFORMATION VISIT www.phoenixtapware.com.au



PLEASE [CLICK HERE TO VIEW FULL WARRANTY](#)

While we aim to ensure the specifications shown are correct at time of printing, Phoenix Tapware reserves the right to make modifications without prior notice. Always use the physical product measurements for mark-ups and roughing-in as the line drawing shown may differ from the actual product over time. All measurements are shown in millimetres.

www.phoenixtapware.com.au
03 9780 4200



PHOENIX

SPECIFICATIONS

ALIA

SHOWER WALL / MIXER

PRODUCT CODE:

110-7800-40

FINISH:

BRUSHED NICKEL

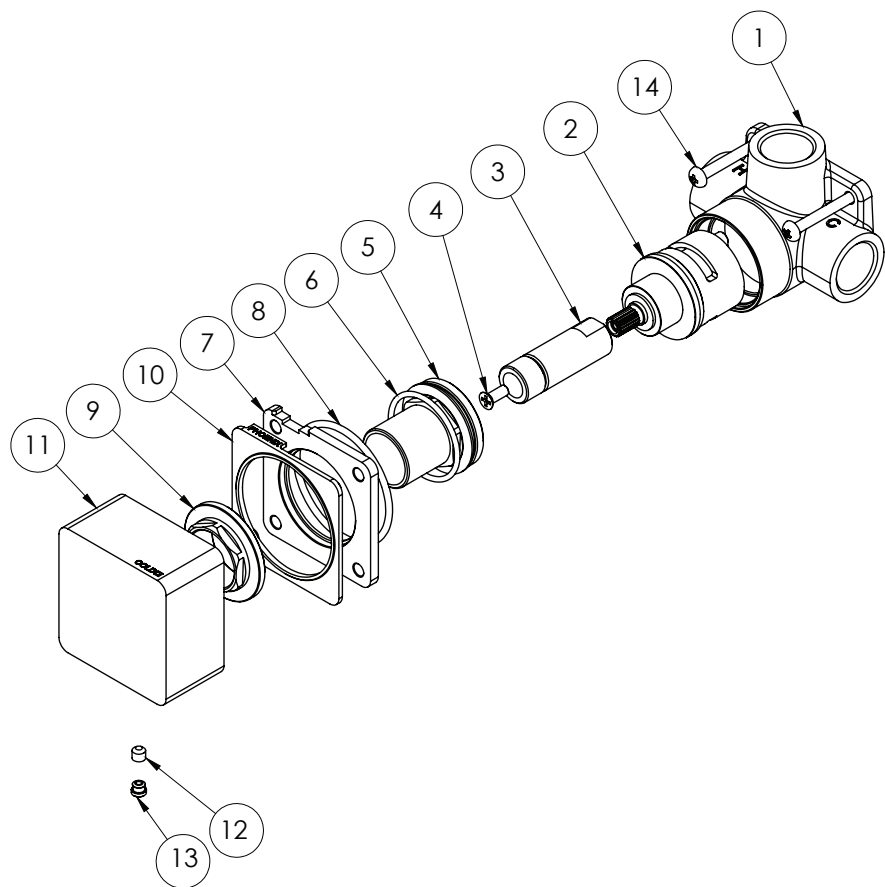
WELS:

N/A



PARTS LIST

1. WALL MIXER BODY
2. 33MM PROGRESSIVE CARTRIDGE
3. SPINDLE EXTENSION
4. SCREW
5. CARTRIDGE LOCKNUT
6. O-RING 32X2.0MM
7. DRESS PLATE
8. O-RING 45 X2.5MM
9. MIXER LOCKNUT
10. PLASTIC SPACER
11. MIXER HANDLE
12. GRUB SCREW M5X5
13. GRUB SCREW CAP
14. SCREW



MAINTENANCE AND CARE:

- All surfaces should be cleaned with mild liquid detergent or soap and water.
- Do not use cream cleaners or citrus based cleaning products, as they are abrasive.
- Use of unsuitable cleaning agents may damage the surface. Any damage caused in this way will not be covered by warranty.

PACKAGING INCLUDES

- 1 x Shower mixer
- 1 x Dress plate
- 1 x Handle
- 1 x Locknut & washer
- 1 x Installation kit
- 1 x Installation instructions
- 1 x Warranty card

PLEASE [CLICK HERE](#) TO VIEW FULL WARRANTY

While we aim to ensure the specifications shown are correct at time of printing, Phoenix Tapware reserves the right to make modifications without prior notice. Always use the physical product measurements for mark-ups and roughing-in as the line drawing shown may differ from the actual product over time. All measurements are shown in millimetres.

www.phoenixtapware.com.au
03 9780 4200